



Chipsmall Limited consists of a professional team with an average of over 10 year of expertise in the distribution of electronic components. Based in Hongkong, we have already established firm and mutual-benefit business relationships with customers from,Europe,America and south Asia,supplying obsolete and hard-to-find components to meet their specific needs.

With the principle of “Quality Parts,Customers Priority,Honest Operation,and Considerate Service”,our business mainly focus on the distribution of electronic components. Line cards we deal with include Microchip,ALPS,ROHM,Xilinx,Pulse,ON,Everlight and Freescale. Main products comprise IC,Modules,Potentiometer,IC Socket,Relay,Connector.Our parts cover such applications as commercial,industrial, and automotives areas.

We are looking forward to setting up business relationship with you and hope to provide you with the best service and solution. Let us make a better world for our industry!



Contact us

Tel: +86-755-8981 8866 Fax: +86-755-8427 6832

Email & Skype: info@chipsmall.com Web: www.chipsmall.com

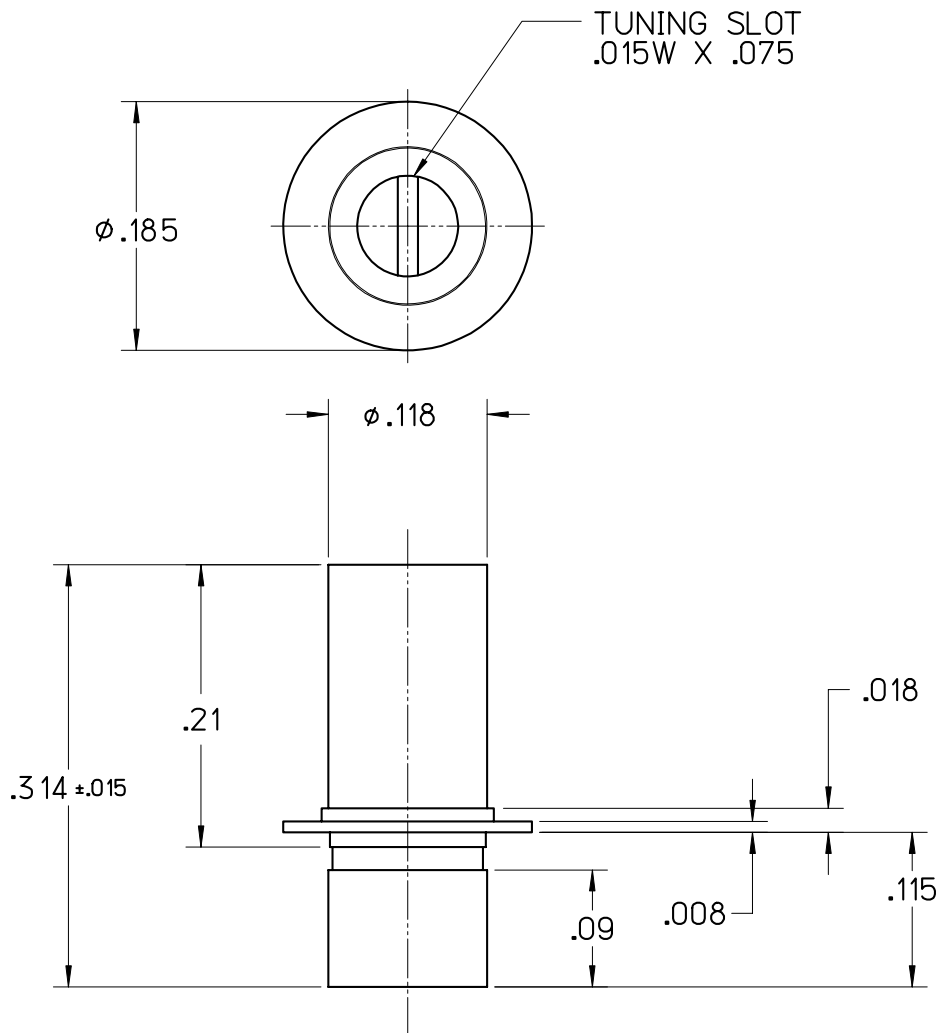
Address: A1208, Overseas Decoration Building, #122 Zhenhua RD., Futian, Shenzhen, China



27275-3

B

TRIMMER CAPACITOR (GIGA-TRIM[®])



SPECIFICATIONS | FILE: AIROUT

CAPACITY RANGE	0.6pF TO 4.5pF (>8 TURNS)
WORKING VOLTAGE	500 VDC (1000 VDC TEST)
Q @250 MHz	>3000
INSULATION RESISTANCE	>10 ⁶ MEGOHMS
TEMPERATURE RANGE	-65°C TO +125°C
TORQUE	0.2 TO 2.0 OZ. IN
ROTATIONAL LIFE	50 CYCLES (400 REVOLUTIONS)
VIBRATION	15G @10-2000 Hz
SHOCK	100G @6 ms
MOISTURE RESISTANCE	10-24 HR. CYCLE

BRASS & INVAR STRUCTURE

SAPPHIRE DIELECTRIC

FINISHES: GOLD AND SILVER PLATE

ACTUAL SIZE



B	10/27/06	MLD	-	-	000442
LEVEL	DATE	DRN.	CHK.	APP.	ECN

REVISIONS

DRN.	CHK.	APP.	SCALE
MLD	MAI	MAI	7" = 1"
DATE	DATE	DATE	.XX ± .015
10/27/06	03/20/07	03/20/07	.XXX ± .005



JOHANSON MANUFACTURING CORPORATION
 ROCKAWAY VALLEY ROAD, BOONTON, N.J. 07005 (973)334-2676 FAX (973)334-2954
 ELECTRONIC ACCURACY THROUGH MECHANICAL PRECISION