



Chipsmall Limited consists of a professional team with an average of over 10 year of expertise in the distribution of electronic components. Based in Hongkong, we have already established firm and mutual-benefit business relationships with customers from,Europe,America and south Asia,supplying obsolete and hard-to-find components to meet their specific needs.

With the principle of "Quality Parts,Customers Priority,Honest Operation,and Considerate Service",our business mainly focus on the distribution of electronic components. Line cards we deal with include Microchip,ALPS,ROHM,Xilinx,Pulse,ON,Everlight and Freescale. Main products comprise IC,Modules,Potentiometer,IC Socket,Relay,Connector.Our parts cover such applications as commercial,industrial, and automotives areas.

We are looking forward to setting up business relationship with you and hope to provide you with the best service and solution. Let us make a better world for our industry!



## Contact us

Tel: +86-755-8981 8866 Fax: +86-755-8427 6832

Email & Skype: info@chipsmall.com Web: www.chipsmall.com

Address: A1208, Overseas Decoration Building, #122 Zhenhua RD., Futian, Shenzhen, China



## Distributed I/O device - FLS CO M12 DIO 4/4 M12-2A - 2736071

Please be informed that the data shown in this PDF Document is generated from our Online Catalog. Please find the complete data in the user's documentation. Our General Terms of Use for Downloads are valid (<http://phoenixcontact.com/download>)



The stand-alone device for CANopen<sup>®</sup> has 4 digital inputs and 4 digital outputs each with a load capacity of 2 A. The M12 connection is established using fast connection technology. The 24 V DC supply is protected against short circuit and overload.

### Product description

This device is used for digital signal acquisition and output.

### Product Features

- Flexible power supply concept
- Short-circuit and overload protection
- Diagnostic and status indicators
- SPEEDCON fast locking system
- Directly accessible address encoding switch
- Consistent connection via M12 connectors



### Key commercial data

Packing unit	1 pc
Weight per Piece (excluding packing)	384.0 GRM
Custom tariff number	85176200
Country of origin	Germany

### Technical data

#### Note

Utilization restriction	EMC: class A product, see manufacturer's declaration in the download area
-------------------------	---------------------------------------------------------------------------

#### Dimensions

Width	60 mm
Height	178 mm
Depth	49.3 mm
Drill hole spacing	168 mm

## Distributed I/O device - FLS CO M12 DIO 4/4 M12-2A - 2736071

### Technical data

#### Ambient conditions

Ambient temperature (operation)	-25 °C ... 60 °C
Ambient temperature (storage/transport)	-25 °C ... 85 °C
Permissible humidity (storage/transport)	95 %
Air pressure (operation)	80 kPa ... 106 kPa (up to 2000 m above sea level)
Air pressure (storage/transport)	70 kPa ... 106 kPa (up to 3000 m above sea level)
Degree of protection	IP65/IP67

#### General

Weight	340 g
Mounting type	Wall mounting
Protection class	III, IEC 61140, EN 61140, VDE 0140-1
Test section	24 V supply (bus logics) / FE
	24 V supply (bus logics) / Digital inputs (sensor supply) 500 V AC 50 Hz 1 min
	24 V supply (bus logics) / Digital outputs (actuator supply) 500 V AC 50 Hz 1 min
	FE / Digital inputs (sensor supply) 500 V AC 50 Hz 1 min
	FE / Digital outputs (actuator supply) 500 V AC 50 Hz 1 min
	Digital inputs (sensor supply) / Digital outputs (actuator supply) 500 V AC 50 Hz 1 min

#### Interfaces

Fieldbus system	CANopen®
Designation	CANopen®
Connection method	2 M12 connectors, A-coded
Transmission speed	10, 20, 50, 125, 250, 500, 1000 kBit/s (Automatic baud rate detection)
Transmission physics	Copper cable with optional power supply in acc. with CAN standard
Address area assignment	1 ... 126, adjustable
Number of positions	5

#### Power supply for module electronics

Connection method	M12 connector, (A-coded)
Designation	U <sub>L</sub>
Supply voltage	24 V DC
Supply voltage range	18 V DC ... 30 V DC (including ripple)

#### Fieldline potentials

Voltage supply U <sub>L</sub>	24 V DC
Power supply at U <sub>L</sub>	max. 4 A
Current consumption from U <sub>L</sub>	typ. 60 mA

## Distributed I/O device - FLS CO M12 DIO 4/4 M12-2A - 2736071

### Technical data

#### Fieldline potentials

	max. 100 mA
Voltage supply $U_S$	24 V DC
Power supply at $U_S$	max. 4 A
Current consumption from $U_S$	typ. 10 mA (plus sensor current)
	max. 500 mA
Voltage supply $U_{A11}$	24 V DC
Power supply at $U_{A11}$	max. 4 A
Current consumption at $U_{A11}$	typ. 6 mA (plus actuator current)
	max. 4 A
Voltage supply $U_{A12}$	24 V DC
Power supply at $U_{A12}$	max. 4 A
Current consumption at $U_{A12}$	typ. 6 mA (plus actuator current)
	max. 4 A

#### Digital inputs

Input name	Digital inputs
Connection method	M12 connector
	2, 3, 4-wire
Number of inputs	4 (EN 61131-2 type 1)
Protective circuit	Protection against polarity reversal
Filter time	3 ms
Input voltage	24 V DC
Input voltage range "0" signal	-30 V DC ... 5 V DC
Input voltage range "1" signal	13 V DC ... 30 V DC

#### Digital outputs

Output name	Digital outputs
Connection method	M12 connector
	2, 3-wire
Number of outputs	4
Protective circuit	Short-circuit protection
Output voltage	24 V DC
Maximum output current per channel	2 A

### Classifications

eCl@ss

eCl@ss 4.0	27250302
------------	----------

## Distributed I/O device - FLS CO M12 DIO 4/4 M12-2A - 2736071

### Classifications

#### eCl@ss

eCl@ss 4.1	27250302
eCl@ss 5.0	27250302
eCl@ss 5.1	27242604
eCl@ss 6.0	27242604
eCl@ss 7.0	27242604
eCl@ss 8.0	27242604

#### ETIM

ETIM 2.0	EC001430
ETIM 3.0	EC001599
ETIM 4.0	EC001599
ETIM 5.0	EC001599

#### UNSPSC

UNSPSC 6.01	43172015
UNSPSC 7.0901	43201404
UNSPSC 11	43172015
UNSPSC 12.01	43201404
UNSPSC 13.2	43201404

### Approvals

#### Approvals

---

#### Approvals

UL Recognized / cUL Recognized / GOST / null / UL Recognized / null / null / null / null / null / null / null / null / cULus Recognized

---

#### Ex Approvals

UL Recognized / cUL Recognized / cULus Recognized

---

#### Approvals submitted

---

#### Approval details

# Distributed I/O device - FLS CO M12 DIO 4/4 M12-2A - 2736071

## Approvals

UL Recognized 

cUL Recognized 

GOST 

UL Recognized



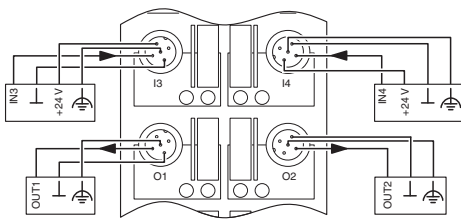
# Distributed I/O device - FLS CO M12 DIO 4/4 M12-2A - 2736071

## Approvals

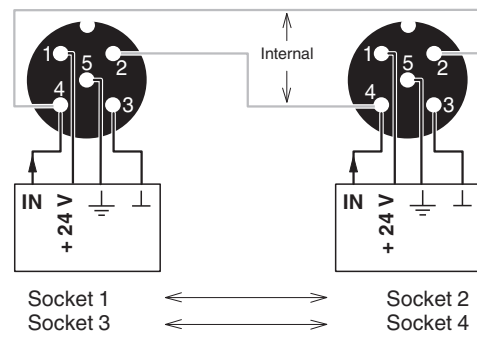


## Drawings

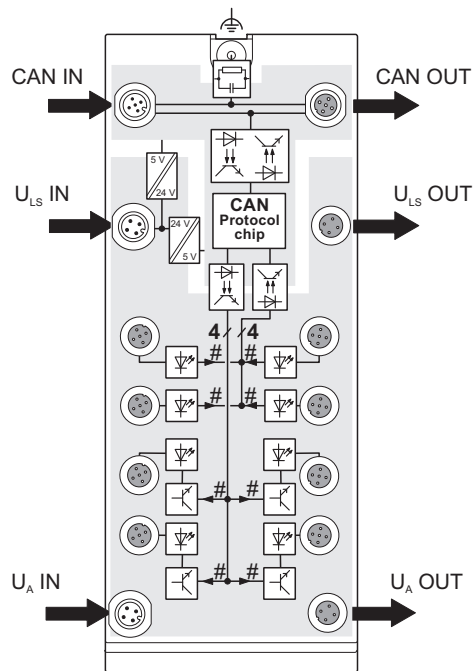
Connection diagram



Connection diagram



Block diagram



# Distributed I/O device - FLS CO M12 DIO 4/4 M12-2A - 2736071

Dimensioned drawing

