



Chipsmall Limited consists of a professional team with an average of over 10 year of expertise in the distribution of electronic components. Based in Hongkong, we have already established firm and mutual-benefit business relationships with customers from,Europe,America and south Asia,supplying obsolete and hard-to-find components to meet their specific needs.

With the principle of “Quality Parts,Customers Priority,Honest Operation,and Considerate Service”,our business mainly focus on the distribution of electronic components. Line cards we deal with include Microchip,ALPS,ROHM,Xilinx,Pulse,ON,Everlight and Freescale. Main products comprise IC,Modules,Potentiometer,IC Socket,Relay,Connector.Our parts cover such applications as commercial,industrial, and automotives areas.

We are looking forward to setting up business relationship with you and hope to provide you with the best service and solution. Let us make a better world for our industry!



Contact us

Tel: +86-755-8981 8866 Fax: +86-755-8427 6832

Email & Skype: info@chipsmall.com Web: www.chipsmall.com

Address: A1208, Overseas Decoration Building, #122 Zhenhua RD., Futian, Shenzhen, China



D-SUB Connectors for Field Bus Systems -with Screw Terminal Connection

SUBCON-PLUS

1. Short Description

The plugs are especially suited for use in RS 485 bus systems in which an incoming and an outgoing bus cable must be connected in one D-SUB connector. SUBCON-PLUS can be connected quickly and conveniently under field conditions without soldering or crimping tools. The plug-in contacts are connected to numbered screw terminal blocks and it goes without saying that there is a separate termination block for each of the two cable entries. This produces a systematic overview of the wiring and simplifies every system start-up.

The connector is available as socket and pin version suitable for nearly all bus systems. The terminating resistors are connected at the start and end of the bus to the free second termination block or, in some versions, using a slide-type switch (version for PROFIBUS).

The connectors, designed for the smallest dimensions, can be used for transmission speeds up to 12 Mbit/s. The shielded connector housing guarantees high immunity to interference.

The direction from which the cables are introduced can be decided on-site. The connection block can be installed either in the upper or lower shell of the housing. It is thus possible to introduce the cable at an angle of 0° ... 90° from the right or the left.



Fig. 1

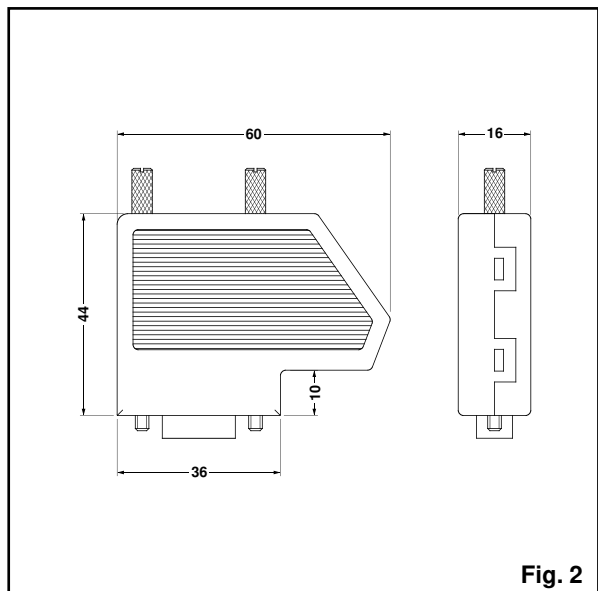


Fig. 2

2. Technical Data

SUBCON-PLUS

with two cable entries



Fig. 3

2.1. Description

Type 9-pos.		Order No.	Pin assignment	e.g. for use in bus system:	Pcs. Pkt.
SUBCON-PLUS M1	pin	27 61 82 6	1, 2, 3, 5, 6, 8	PROFIBUS MODBUS MODBUS-PLUS BITBUS ARCNET MULTI / MININET, B&R SYSTEM 2003, B&R P-NET	1
SUBCON-PLUS M2	pin	27 61 83 9	2, 3, 4, 5, 7, 9	CAN SUCONET K1, K2, Klöckner Moeller S-BUS, SAIA J-BUS, MERLIN GERIN	1
SUBCON-PLUS-PROFIB	pin	27 44 34 8	3, 8, resistor can be connected via slide-type switch	PROFIBUS to 12 Mbit/s	1
SUBCON-PLUS F1	socket	27 44 26 7	1, 2, 3, 5, 6, 8	MODBUS MODBUS-PLUS BITBUS ARCNET MULTI / MININET, B&R SYSTEM 2003, B&R P-NET	1
SUBCON-PLUS F2	socket	27 99 49 0	2, 3, 4, 5, 7, 9	CAN SUCONET K1, K2, Klöckner Moeller S-BUS, SAIA J-BUS, MERLIN GERIN	1
SUBCON-PLUS F3	socket	27 61 87 1	2, 3, 6, 7, 8, 9	CAN OPEN FIP	1
SUBCON-PLUS F4	socket	27 44 08 9	2, 3, 4, 5, 6, 7	CAN, KEBA	1
SUBCON-PLUS F5	socket	27 44 10 2	1, 1, 2, 3, 6, 7	MODBUS, CEGELEC	1

2.2. Accessories

	Order No.		Pcs. Pkt.
Screwdriver SZN/K	12 02 39 9	blade: 0.4 x 2.5 x 75 mm, length: 150 mm	1
Optional fixing screw, SUBCON-SHORTSCREW	27 99 69 4	short version (without knurl)	20

2.3. General Data

Plug connection	9-pos. D-SUB pin strip
Max. voltage	60 V AC/DC
Current carrying capacity	1 A
Plug cycles	> 50
Cable diameter (max./min.)	10 mm/6 mm
Fixing screws/torque	4-40 UNC/0.4 Nm
Screw terminal blocks:	
Connection cross section (solid/stranded/AWG)	0.14-1.5 mm ² /0.14-1.0 mm ² /AWG 26-14
Torque	0.4 Nm
Temperature range	-20 °C to +75 °C
Housing material	ABS-V0, metal-plated