



Chipsmall Limited consists of a professional team with an average of over 10 year of expertise in the distribution of electronic components. Based in Hongkong, we have already established firm and mutual-benefit business relationships with customers from,Europe,America and south Asia,supplying obsolete and hard-to-find components to meet their specific needs.

With the principle of “Quality Parts,Customers Priority,Honest Operation,and Considerate Service”,our business mainly focus on the distribution of electronic components. Line cards we deal with include Microchip,ALPS,ROHM,Xilinx,Pulse,ON,Everlight and Freescale. Main products comprise IC,Modules,Potentiometer,IC Socket,Relay,Connector.Our parts cover such applications as commercial,industrial, and automotives areas.

We are looking forward to setting up business relationship with you and hope to provide you with the best service and solution. Let us make a better world for our industry!



## Contact us

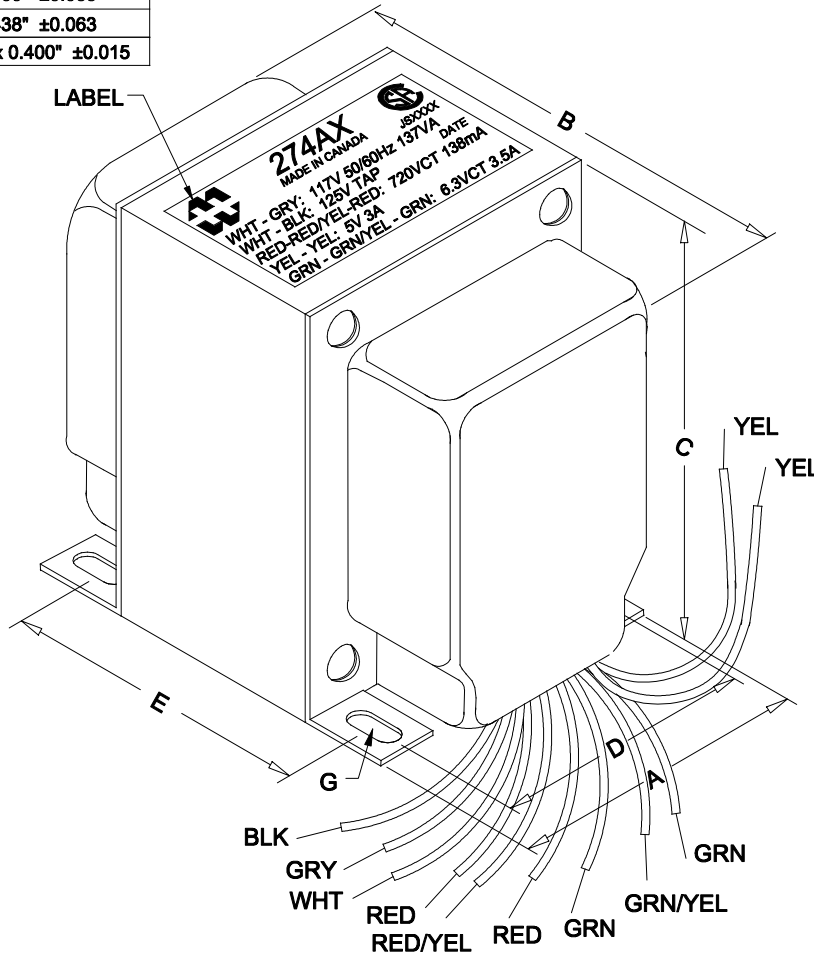
Tel: +86-755-8981 8866 Fax: +86-755-8427 6832

Email & Skype: info@chipsmall.com Web: www.chipsmall.com

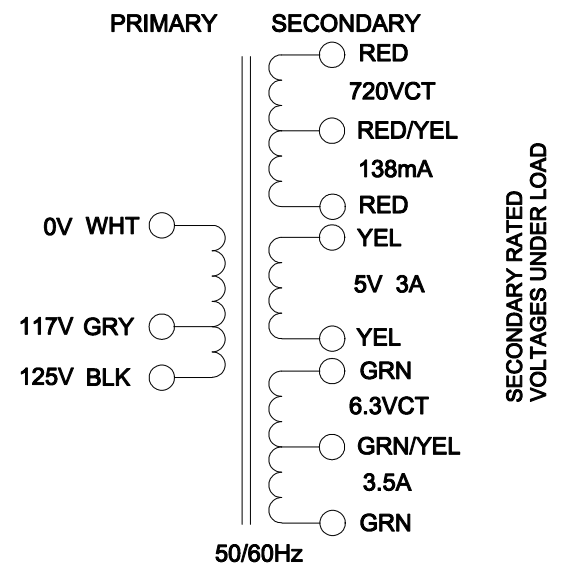
Address: A1208, Overseas Decoration Building, #122 Zhenhua RD., Futian, Shenzhen, China



DIMENSIONS:	
A	3.125" ±0.063
B	3.688" ±0.125
C	3.800" ±0.063
D	2.500" ±0.063
E	2.438" ±0.063
G	0.203" x 0.400" ±0.015



NOTE: ALL LEADS 6" OUT MIN. STRIPPED 0.5"



ELECTRICAL DATA:		
TESTS	CONDITIONS	ACCEPTANCE CRITERIA
Iex	@ 125V, 60Hz, WHT - BLK	231.6mA Max.
Sec. N.L.V	@ 125V, 60Hz, WHT - BLK	
	RED - RED =	767.2V ±2%
	RED - RED/YEL = RED/YEL - RED =	383.6V ±2%
	YEL - YEL =	5.510V ±2%
	GRN - GRN/YEL = GRN/YEL - GRN =	3.444V ±2%
	GRN - GRN =	6.887V ±2%
DCR	@ 20°C, WHT - BLK =	2.813 Ω ±20%
	@ 20°C, RED - RED =	163.6 Ω ±20%
	@ 20°C, YEL - YEL =	0.053 Ω ±20%
	@ 20°C, GRN - GRN =	0.070 Ω ±20%
HIPOT	PRIMARY - SECONDARY	2000V, 60Hz, 1 SEC

REV.#	REVISION	DATE
0	RELEASED. C.I.	11/15/12

**HAMMOND ELECTRONIC DIVISION**  
**MANUFACTURING**  
 52 RANKIN PLACE, WATERLOO, ONTARIO, N2J 3Z5  
 PH # (519) 886-6181  
 FAX # (519) 886-9540

DWG. BY: C. ILIE      CHK'D BY:  
 DATE: 11/15/12      APP'D. BY:  
 DIMENSIONS: IN(X) MM( )

TITLE: POWER TRANSFORMER      DWG. NO. 274AX