



Chipsmall Limited consists of a professional team with an average of over 10 year of expertise in the distribution of electronic components. Based in Hongkong, we have already established firm and mutual-benefit business relationships with customers from,Europe,America and south Asia,supplying obsolete and hard-to-find components to meet their specific needs.

With the principle of “Quality Parts,Customers Priority,Honest Operation,and Considerate Service”,our business mainly focus on the distribution of electronic components. Line cards we deal with include Microchip,ALPS,ROHM,Xilinx,Pulse,ON,Everlight and Freescale. Main products comprise IC,Modules,Potentiometer,IC Socket,Relay,Connector.Our parts cover such applications as commercial,industrial, and automotives areas.

We are looking forward to setting up business relationship with you and hope to provide you with the best service and solution. Let us make a better world for our industry!



## Contact us

Tel: +86-755-8981 8866 Fax: +86-755-8427 6832

Email & Skype: info@chipsmall.com Web: www.chipsmall.com

Address: A1208, Overseas Decoration Building, #122 Zhenhua RD., Futian, Shenzhen, China



## D-SUB bus connector - SUBCON-PLUS M1 - 2761826

Please be informed that the data shown in this PDF Document is generated from our Online Catalog. Please find the complete data in the user's documentation. Our General Terms of Use for Downloads are valid (<http://phoenixcontact.com/download>)




D-SUB connector, 9-pos., male connector, two cable entries < 35°, bus system: Modbus, Modbus Plus, BITBUS, ARCNET, MULT/MININET (B&R), SYSTEM 2003 (B&R), P-NET, pin assignment: 1, 2, 3, 5, 6, 8 to two screw connection terminal blocks

### Why buy this product

- Assembly under field conditions
- Separate terminal blocks for each cable
- High transmission speed
- Easy assembly thanks to knurled screws
- High level of EMC
- Flexibility in terms of cable entry selection
- For universal use
- Change to the D-SUB orientation through a reversible connection block



### Key Commercial Data

Packing unit	1 STK
GTIN	 4 017918 131821
GTIN	4017918131821
Sales Key	07

### Technical data

#### Dimensions

Max. cable diameter	10 mm
Min. cable diameter	6 mm
Width	16 mm
Height	44 mm
Length	60 mm

#### Ambient conditions

Ambient temperature (operation)	-20 °C ... 75 °C
---------------------------------	------------------

# D-SUB bus connector - SUBCON-PLUS M1 - 2761826

## Technical data

### Ambient conditions

Ambient temperature (storage/transport)	-25 °C ... 80 °C
Altitude	5000 m (For restrictions see manufacturer's declaration)
Degree of protection	IP20
	IP20

### General

Nominal voltage $U_N$	50 V
Nominal current $I_N$	100 mA
Bus system	Modbus, BODBUS-PLUS, BITBUS, ARCNET, MULT/MININET(B&R), SYSTEM 2003(B&R), P-NET
Signal	RS-485
Insertion/withdrawal cycles	> 200
SUBCON fixing screws	4-40 UNC
Tightening torque	0.4 Nm
Housing material	ABS, metal-plated
Pin assignment	1,2,3,5,6,8 on two terminal blocks
MTTF	6706 Years (SN 29500 standard, temperature 25 °C, operating cycle 21 % (5 days a week, 8 hours a day))
	1817 Years (SN 29500 standard, temperature 40 °C, operating cycle 34.25 % (5 days a week, 12 hours a day))
	155 Years (SN 29500 standard, temperature 40 °C, operating cycle 100 % (7 days a week, 24 hours a day))

### Connection data

Connection	D-SUB connection
Number of positions	9
Connection method	D-SUB connector
Tightening torque	0.4 Nm
Connection	PCB connection
Connection method	Screw connection
Conductor cross section flexible min.	0.14 mm <sup>2</sup>
Conductor cross section flexible max.	1 mm <sup>2</sup>
Conductor cross section solid min.	0.14 mm <sup>2</sup>
Conductor cross section solid max.	1.5 mm <sup>2</sup>
Min. AWG conductor cross section, flexible	26
Max. AWG conductor cross section, flexible	18
Conductor cross section AWG min.	26
Conductor cross section AWG max.	16
Stripping length	5 mm
Tightening torque	0.4 Nm

### Standards and Regulations

Free from substances that could impair the application of coating	according to P-VW 3.10.7 57 65 0 VW-AUDI-Seat central standard
Connection in acc. with standard	CUL

# D-SUB bus connector - SUBCON-PLUS M1 - 2761826

## Technical data

### Standards and Regulations

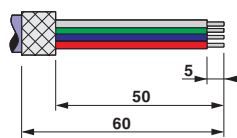
ATEX	# II 3 G Ex nA IIC T4 Gc X
Noxious gas test	ISA-S71.04-1985 G3 Harsh Group A

### Environmental Product Compliance

REACH SVHC	Lead 7439-92-1
China RoHS	Environmentally Friendly Use Period = 50
	For details about hazardous substances go to tab "Downloads", Category "Manufacturer's declaration"

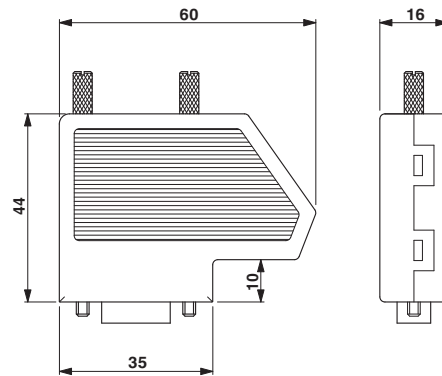
## Drawings

Schematic diagram



Stripping specifications

Dimensional drawing

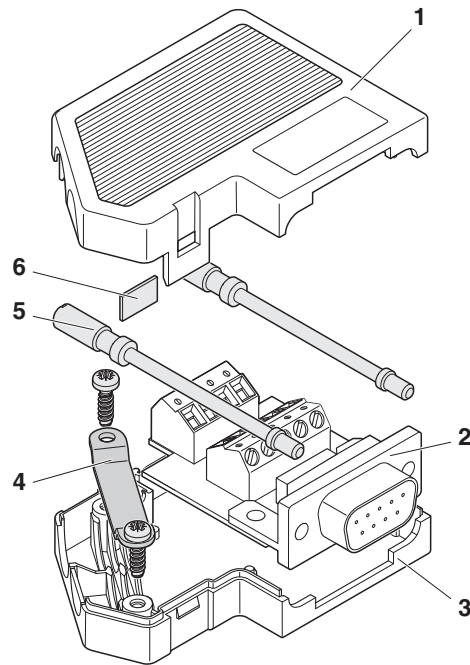


Dimensional drawing SUBCON-PLUS...



## D-SUB bus connector - SUBCON-PLUS M1 - 2761826

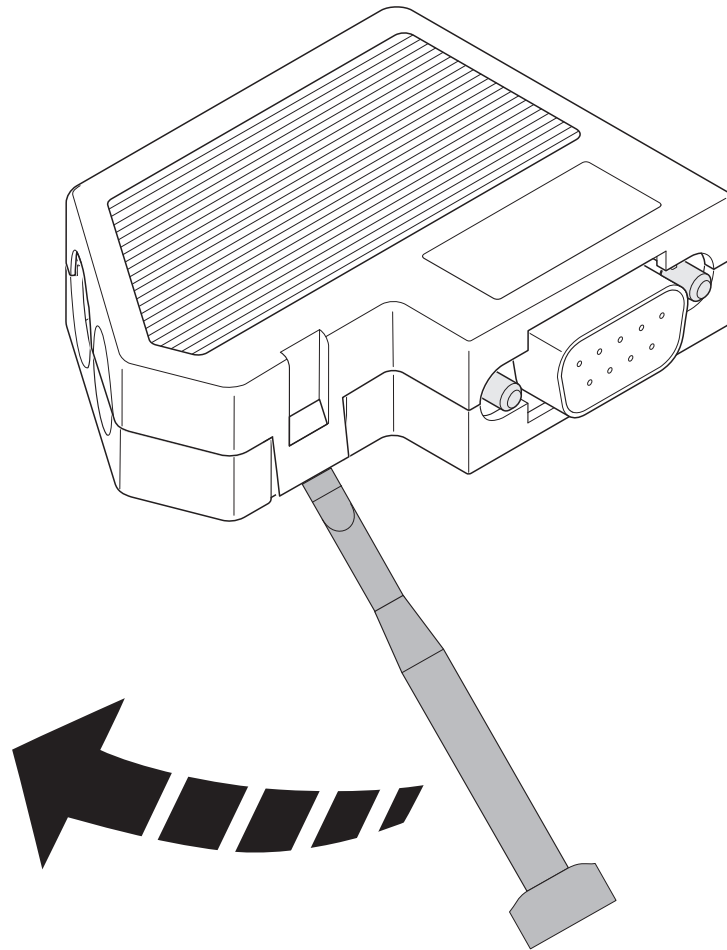
Schematic diagram



Function elements

## D-SUB bus connector - SUBCON-PLUS M1 - 2761826

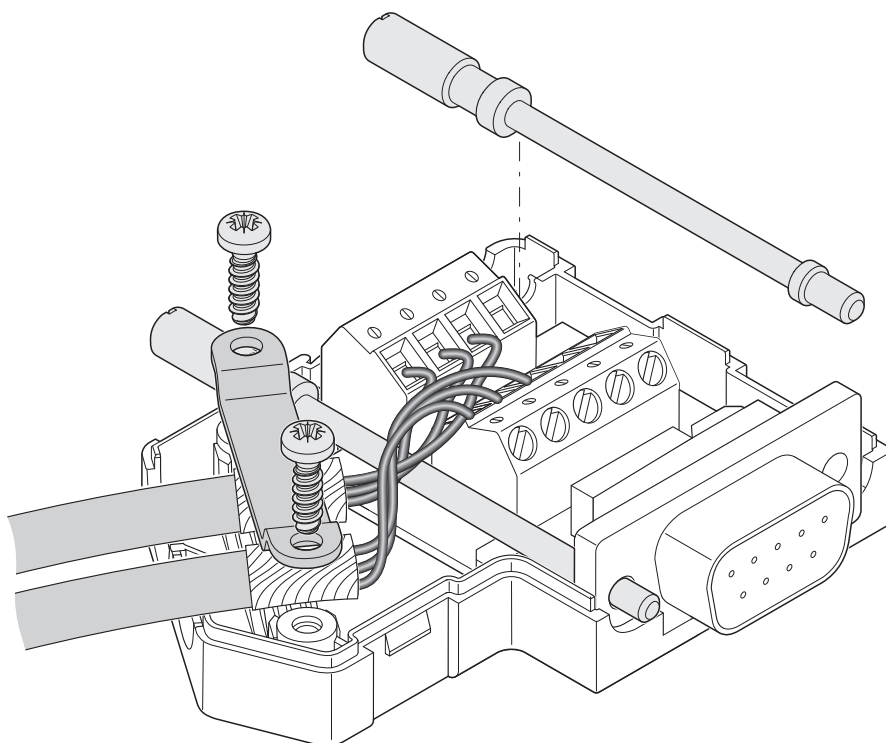
Schematic diagram



Opening the housing

## D-SUB bus connector - SUBCON-PLUS M1 - 2761826

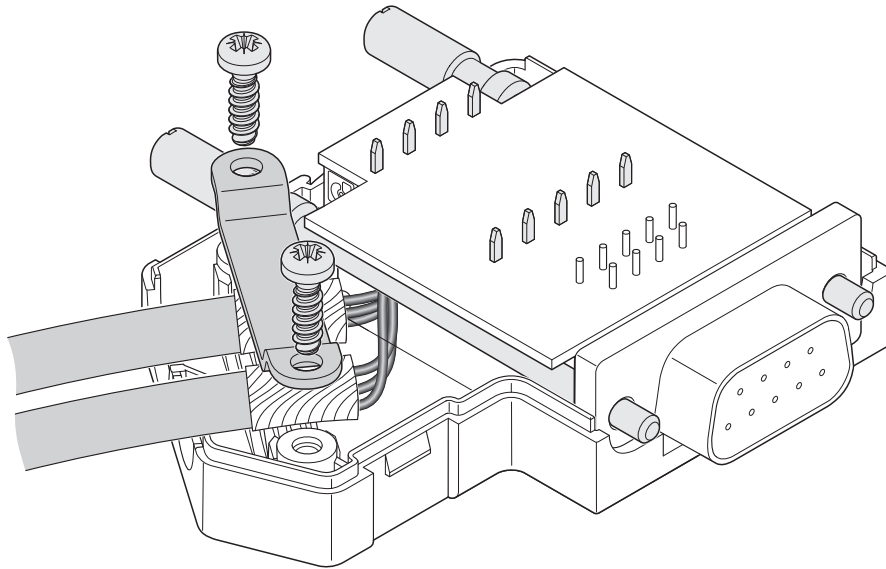
Schematic diagram



Left-hand side cable entry

## D-SUB bus connector - SUBCON-PLUS M1 - 2761826

Schematic diagram

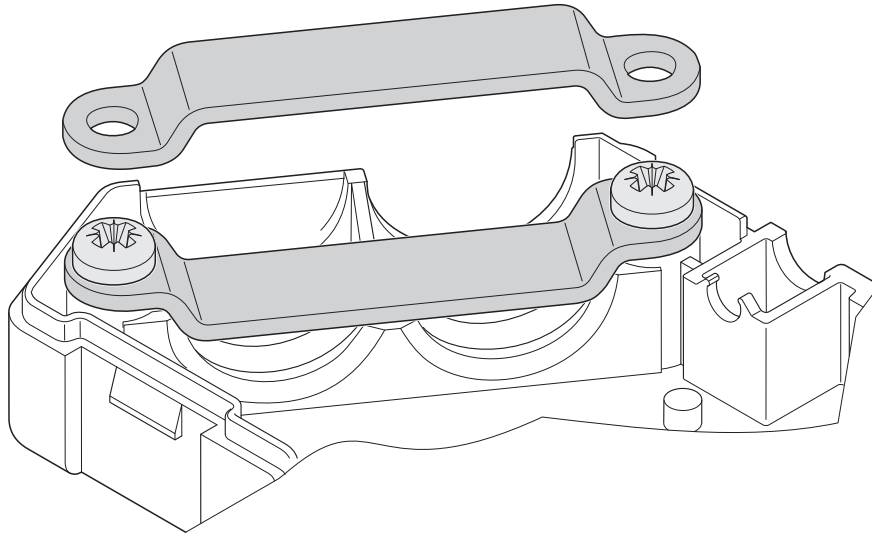


Right-hand side cable entry



# D-SUB bus connector - SUBCON-PLUS M1 - 2761826

Schematic diagram



Clip bracket

## Approvals

Approvals

---

Approvals

UL Recognized / cUL Recognized / EAC / cULus Recognized

---

Ex Approvals

ATEX / ATEX

---

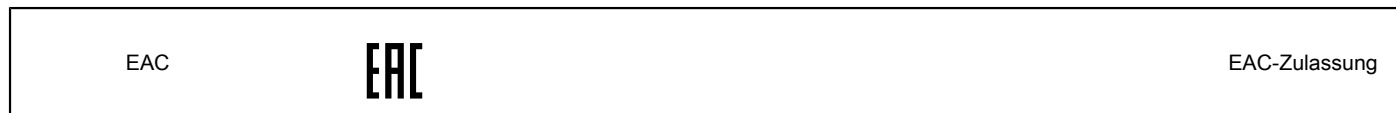
## Approval details

UL Recognized		<a href="http://database.ul.com/cgi-bin/XYV/template/LISEXT/1FRAME/index.htm">http://database.ul.com/cgi-bin/XYV/template/LISEXT/1FRAME/index.htm</a>	FILE E 238705
---------------	--	---	---------------

cUL Recognized		<a href="http://database.ul.com/cgi-bin/XYV/template/LISEXT/1FRAME/index.htm">http://database.ul.com/cgi-bin/XYV/template/LISEXT/1FRAME/index.htm</a>	FILE E 238705
----------------	--	---	---------------

## D-SUB bus connector - SUBCON-PLUS M1 - 2761826

### Approvals



Phoenix Contact 2018 © - all rights reserved  
<http://www.phoenixcontact.com>

PHOENIX CONTACT GmbH & Co. KG  
Flachsmarktstr. 8  
32825 Blomberg  
Germany  
Tel. +49 5235 300  
Fax +49 5235 3 41200  
<http://www.phoenixcontact.com>