



Chipsmall Limited consists of a professional team with an average of over 10 year of expertise in the distribution of electronic components. Based in Hongkong, we have already established firm and mutual-benefit business relationships with customers from,Europe,America and south Asia,supplying obsolete and hard-to-find components to meet their specific needs.

With the principle of “Quality Parts,Customers Priority,Honest Operation,and Considerate Service”,our business mainly focus on the distribution of electronic components. Line cards we deal with include Microchip,ALPS,ROHM,Xilinx,Pulse,ON,Everlight and Freescale. Main products comprise IC,Modules,Potentiometer,IC Socket,Relay,Connector.Our parts cover such applications as commercial,industrial, and automotives areas.

We are looking forward to setting up business relationship with you and hope to provide you with the best service and solution. Let us make a better world for our industry!



## Contact us

Tel: +86-755-8981 8866 Fax: +86-755-8427 6832

Email & Skype: info@chipsmall.com Web: www.chipsmall.com

Address: A1208, Overseas Decoration Building, #122 Zhenhua RD., Futian, Shenzhen, China



## EG 22,5-A/ABS GN


Order No.: 2764072

Illustration shows a fully mounted version of the electronic housing

<http://eshop.phoenixcontact.de/phoenix/treeViewClick.do?UID=2764072>

Housing cover, for connection on both sides

### Commercial data

|                          |   |
|--------------------------|---|
| GTIN (EAN)               | <br>4 017918 065829 |
| sales group              | F020  |
| Pack                     | 25 pcs.   |
| Customs tariff           | 85369010  |
| Catalog page information | Page 568 (CC-2009)  |

### Product notes

WEEE/RoHS-compliant since:  
01/01/2003

<http://www.download.phoenixcontact.com>  
Please note that the data given here has been taken from the online catalog. For comprehensive information and data, please refer to the user documentation. The General Terms and Conditions of Use apply to Internet downloads.

### Technical data

#### General

|                  |            |
|------------------|------------|
| Housing type     | Upper part |
| Housing material | ABS        |
| Color            | green      |

#### Dimensions / positions

|        |       |
|--------|-------|
| Length | 75 mm |
|--------|-------|

|                     |         |
|---------------------|---------|
| Width               | 22.5 mm |
| Number of positions | 8       |

**Technical data**

|                                    |       |
|------------------------------------|-------|
| Ambient temperature (operation)    | 80 °C |
| Inflammability class acc. to UL 94 | HB    |

**Accessories**

| Item            | Designation    | Description   |
|-----------------|----------------|---|
| <b>Assembly</b> |                |   |
| 1909236         | FKCT 2,5/ 4-ST | Plug component, Nominal current: 12 A, Rated voltage (III/2): 320 V, Number of positions: 4, Pitch: 5 mm, Color: green, Metal surface: Sn |

**General**

|         |                       |   |
|---------|-----------------------|---|
| 1902136 | FKCT 2,5/ 4-ST-5,08   | Plug component, Nominal current: 12 A, Rated voltage (III/2): 320 V, Number of positions: 4, Pitch: 5.08 mm, Color: green, Metal surface: Sn  |
| 1721045 | MKKDSH 3/ 2           | PC terminal block, Nominal current: 24 A, Nom. voltage: 250 V, Pitch: 5 mm, Number of positions: 2, Type of connection: Screw connection, Mounting: Soldering, Conductor/PCB connection direction: 0 °, Color: green, The article can be aligned to create different nos. of positions! |
| 1721346 | MKKDSH 3/ 3           | PC terminal block, Nominal current: 24 A, Nom. voltage: 250 V, Pitch: 5 mm, Number of positions: 3, Type of connection: Screw connection, Mounting: Soldering, Conductor/PCB connection direction: 0 °, Color: green, The article can be aligned to create different nos. of positions! |
| 1706374 | MKKDSH 3/ 4 O.Z.      | PC terminal block, Pitch: 5 mm, Number of positions: 4, Type of connection: Screw connection, Conductor/PCB connection direction: 0 °, Color: green   |
| 1792540 | MVSTBW 2,5/ 4-ST      | Plug component, Nominal current: 12 A, Rated voltage (III/2): 320 V, Number of positions: 4, Pitch: 5 mm, Color: green, Metal surface: Sn   |
| 1792773 | MVSTBW 2,5/ 4-ST-5,08 | Plug component, Nominal current: 12 A, Rated voltage (III/2): 320 V, Number of positions: 4, Pitch: 5.08 mm, Color: green, Metal surface: Sn  |

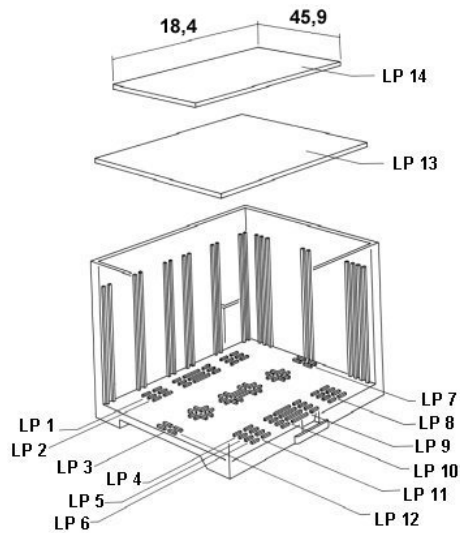
**Plug/Adapter**

|         |                    |   |
|---------|--------------------|---|
| 1784299 | MVSTBW 2,5/ 4-STEH | Plug component, Nominal current: 12 A, Rated voltage (III/2): 320 V, Number of positions: 4, Pitch: 5 mm, Color: green, Metal surface: Sn |
|---------|--------------------|---|

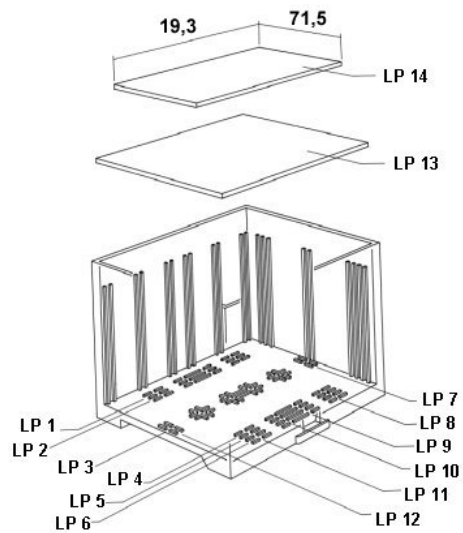


**Diagrams/Drawings**

Explosion drawing

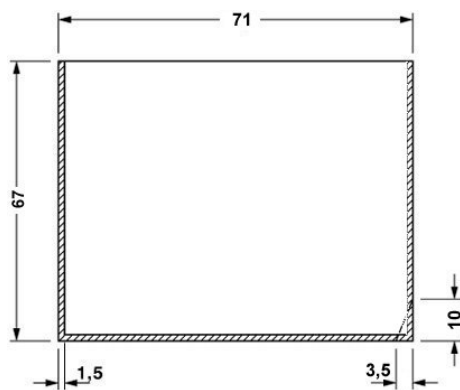


valid for PCB 14

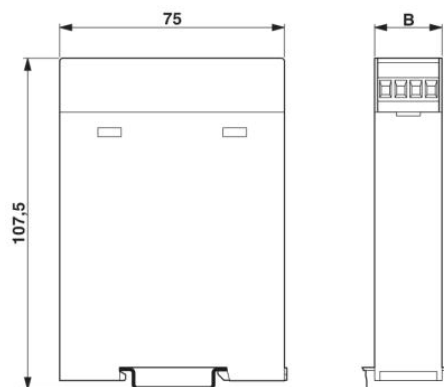


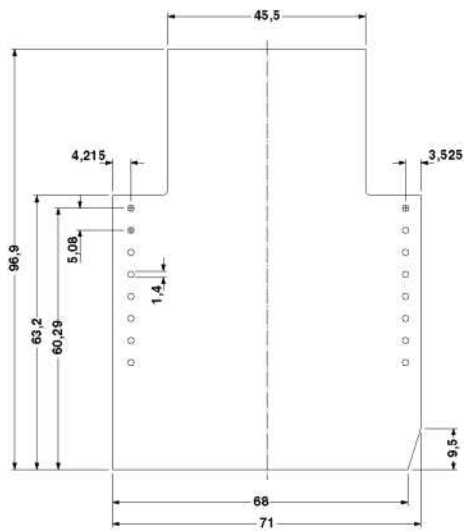
valid for PCB 13

Dimensioned drawing

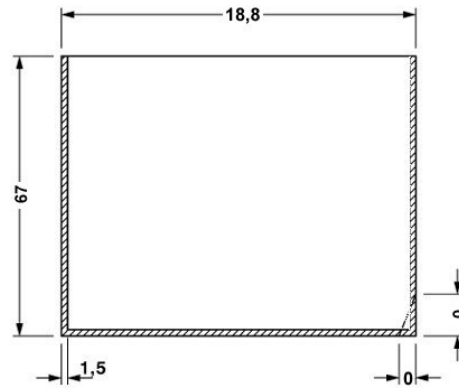


valid for PCB 7, see explosion drawing





Component mounting side, if the double-level upper part is used



valid for PCB 1, see explosion drawing

**Address**

PHOENIX CONTACT Deutschland GmbH  
Flachmarktstr. 8  
32825 Blomberg, Germany  
Phone +49 5235 3 12000  
Fax +49 5235 3 41200  
<http://www.phoenixcontact.de>



© 2010 Phoenix Contact  
Technical modifications reserved;