



Chipsmall Limited consists of a professional team with an average of over 10 year of expertise in the distribution of electronic components. Based in Hongkong, we have already established firm and mutual-benefit business relationships with customers from,Europe,America and south Asia,supplying obsolete and hard-to-find components to meet their specific needs.

With the principle of "Quality Parts,Customers Priority,Honest Operation,and Considerate Service",our business mainly focus on the distribution of electronic components. Line cards we deal with include Microchip,ALPS,ROHM,Xilinx,Pulse,ON,Everlight and Freescale. Main products comprise IC,Modules,Potentiometer,IC Socket,Relay,Connector.Our parts cover such applications as commercial,industrial, and automotives areas.

We are looking forward to setting up business relationship with you and hope to provide you with the best service and solution. Let us make a better world for our industry!



Contact us

Tel: +86-755-8981 8866 Fax: +86-755-8427 6832

Email & Skype: info@chipsmall.com Web: www.chipsmall.com

Address: A1208, Overseas Decoration Building, #122 Zhenhua RD., Futian, Shenzhen, China



EG 45-G/ABS GN


Order No.: 2764140

Illustration shows a fully mounted version of the electronic housing

<http://eshop.phoenixcontact.de/phoenix/treeViewClick.do?UID=2764140>

Lower housing part, with snap-on foot

Commercial data

GTIN (EAN)	 4 017918 065850
sales group	F020
Pack	10 pcs.
Customs tariff	85369010
Catalog page information	Page 569 (CC-2009)

Product notes

WEEE/RoHS-compliant since:
01/01/2003

<http://www.download.phoenixcontact.com>
Please note that the data given here has been taken from the online catalog. For comprehensive information and data, please refer to the user documentation. The General Terms and Conditions of Use apply to Internet downloads.

Technical data

General

Housing type	Component housing
Housing material	Acryl butadiene styrene (ABS)
Color	green

Dimensions / positions

Length	75 mm
Width	45 mm
Number of positions	16

Technical data

Ambient temperature (operation)	-40 °C ... 80 °C
Inflammability class acc. to UL 94	HB
Power dissipation at 20°C in the horizontal mounting position	3.4 W 6.1 W

Accessories

Item	Designation	Description
Assembly		
1909278	FKCT 2,5/ 8-ST	Plug component, Nominal current: 12 A, Rated voltage (III/2): 320 V, Number of positions: 8, Pitch: 5 mm, Color: green, Metal surface: Sn

General

1902178	FKCT 2,5/ 8-ST-5,08	Plug component, Nominal current: 12 A, Rated voltage (III/2): 320 V, Number of positions: 8, Pitch: 5.08 mm, Color: green, Metal surface: Sn
1721045	MKKDSH 3/ 2	PC terminal block, Nominal current: 24 A, Nom. voltage: 250 V, Pitch: 5 mm, Number of positions: 2, Type of connection: Screw connection, Mounting: Soldering, Conductor/PCB connection direction: 0 °, Color: green, The article can be aligned to create different nos. of positions!
1721346	MKKDSH 3/ 3	PC terminal block, Nominal current: 24 A, Nom. voltage: 250 V, Pitch: 5 mm, Number of positions: 3, Type of connection: Screw connection, Mounting: Soldering, Conductor/PCB connection direction: 0 °, Color: green, The article can be aligned to create different nos. of positions!
1703283	MKKDSH 3/ 8	PC terminal block, Nominal current: 24 A, Nom. voltage: 250 V, Pitch: 5 mm, Number of positions: 8, Type of connection: Screw connection, Conductor/PCB connection direction: 0 °, Color: green, The article can be aligned to create different nos. of positions!
1850495	MSTBO 2,5/ 8-GL-5,08	Header, Nominal current: 8 A, Rated voltage (III/2): 320 V, Number of positions: 8, Pitch: 5.08 mm, Color: green, Metal surface: Sn, Assembly: Soldering
1792582	MVSTBW 2,5/ 8-ST	Plug component, Nominal current: 12 A, Rated voltage (III/2): 320 V, Number of positions: 8, Pitch: 5 mm, Color: green, Metal surface: Sn

1792812	MVSTBW 2,5/ 8-ST-5,08	Plug component, Nominal current: 12 A, Rated voltage (III/2): 320 V, Number of positions: 8, Pitch: 5.08 mm, Color: green, Metal surface: Sn
---------	-----------------------	--

Plug/Adapter

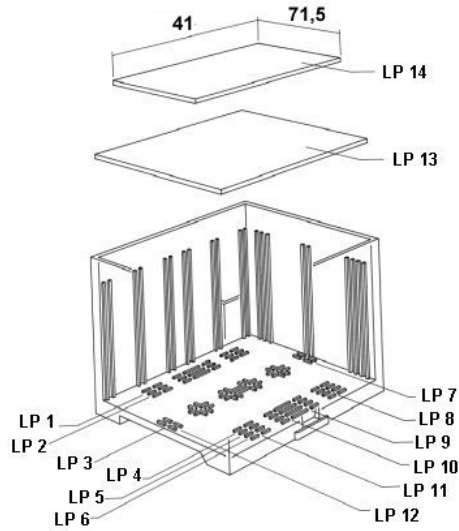
1734634	CP-MSTB	Keying profile, is inserted into the slot on the plug or inverted header, red insulating material
1734634	CP-MSTB	Keying profile, is inserted into the slot on the plug or inverted header, red insulating material
1734401	CR-MSTB	Coding section, inserted into the recess in the header or the inverted plug, red insulating material
1734401	CR-MSTB	Coding section, inserted into the recess in the header or the inverted plug, red insulating material
1784309	MVSTBW 2,5/ 8-STEH	Plug component, Nominal current: 12 A, Rated voltage (III/2): 320 V, Number of positions: 8, Pitch: 5 mm, Color: green, Metal surface: Sn

Additional products

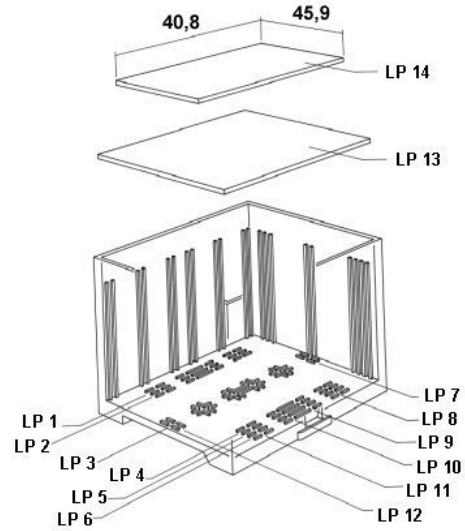
Item	Designation	Description
General		
2764179	EG 45-A/ABS GN	Housing cover,for connection on both sides
2764409	EG 45-AE/ABS GN	Housing cover, for connection on one side
2907363	EG 45-AG/ABS GN	Housing cover, closed

Diagrams/Drawings

Explosion drawing

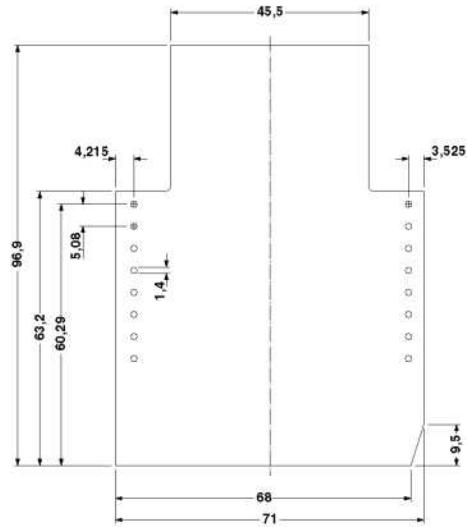
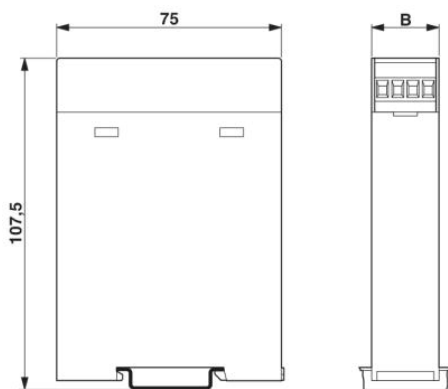


valid for PCB 13

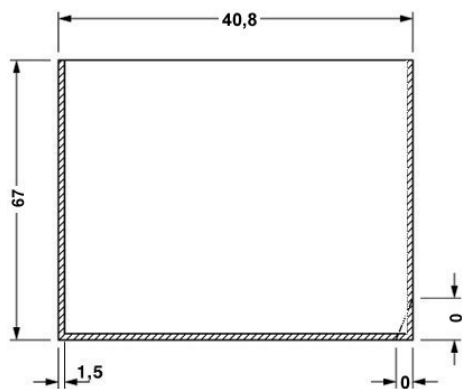


valid for PCB 14

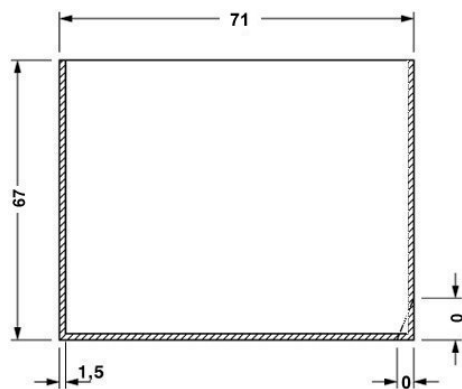
Dimensioned drawing



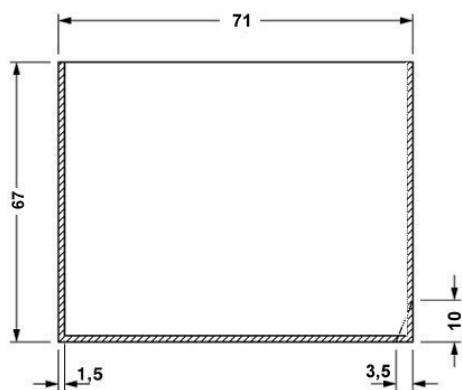
Component mounting side, if the double-level upper part is used



valid for PCB 1; 3; 5 and 6, see explosion drawing



valid for PCB 7 and 12, see explosion drawing



valid for PCB 10, see explosion drawing

Address

PHOENIX CONTACT Deutschland GmbH
Flachmarktstr. 8
32825 Blomberg, Germany
Phone +49 5235 3 12000
Fax +49 5235 3 41200
<http://www.phoenixcontact.de>



© 2010 Phoenix Contact
Technical modifications reserved;