



Chipsmall Limited consists of a professional team with an average of over 10 year of expertise in the distribution of electronic components. Based in Hongkong, we have already established firm and mutual-benefit business relationships with customers from,Europe,America and south Asia,supplying obsolete and hard-to-find components to meet their specific needs.

With the principle of “Quality Parts,Customers Priority,Honest Operation,and Considerate Service”,our business mainly focus on the distribution of electronic components. Line cards we deal with include Microchip,ALPS,ROHM,Xilinx,Pulse,ON,Everlight and Freescale. Main products comprise IC,Modules,Potentiometer,IC Socket,Relay,Connector.Our parts cover such applications as commercial,industrial, and automotives areas.

We are looking forward to setting up business relationship with you and hope to provide you with the best service and solution. Let us make a better world for our industry!



## Contact us

Tel: +86-755-8981 8866 Fax: +86-755-8427 6832

Email & Skype: info@chipsmall.com Web: www.chipsmall.com

Address: A1208, Overseas Decoration Building, #122 Zhenhua RD., Futian, Shenzhen, China



## Electronic housing - EG 45-GP/ABS GN - 2764153

Please be informed that the data shown in this PDF Document is generated from our Online Catalog. Please find the complete data in the user's documentation. Our General Terms of Use for Downloads are valid (<http://download.phoenixcontact.com>)



Housing base, with snap foot and test opening with side cover


Illustration shows a fully mounted version of the electronic housing

### Product Features

- ✓ Tool-free mounting
- ✓ Date of manufacture and material and part identification embossed on the housing (recyclability)
- ✓ Functional and industry-oriented housing technology
- ✓ Optimum accommodation of electronic components with graded pitches with a design width of 22.5 mm, 45 mm, 67.5 mm, and 90 mm
- ✓ Practical and easy-to-wire conductor connection using extra finely stranded sturdy screw terminal blocks up to 2.5 mm<sup>2</sup>
- ✓ Fast snap-on mounting on symmetrical DIN rails according to EN 60715
- ✓ Shock and contamination-proof accommodation of electronic components (IP40 housing, IP20 terminal blocks)



### Key commercial data

Packing unit	1 PCE
GTIN	 4 017918 065867
Custom tariff number	85369010
Country of origin	GERMANY

### Technical data

#### General

Housing type	Component housing
Housing material	Acryl butadiene styrene (ABS)
Color	green

#### Dimensions

# Electronic housing - EG 45-GP/ABS GN - 2764153

## Technical data

### Dimensions

Length	75 mm
Constructional height	107.5 mm
Width	45 mm

### Technical data

Ambient temperature (operation)	-40 °C ... 80 °C
Inflammability class according to UL 94	HB
Power dissipation at 20°C in the horizontal mounting position	3.4 W 6.1 W
Number of positions	16

## Classifications

### ETIM

ETIM 2.0	EC001031
ETIM 3.0	EC001031
ETIM 4.0	EC001031
ETIM 5.0	EC001031

### UNSPSC

UNSPSC 11	31261501
UNSPSC 12.01	31261501
UNSPSC 13.2	31261501
UNSPSC 6.01	31261501
UNSPSC 7.0901	31261501

### eCl@ss

eCl@ss 4.0	27180401
eCl@ss 4.1	27180401
eCl@ss 5.0	27180506
eCl@ss 5.1	27180506
eCl@ss 6.0	27180802
eCl@ss 7.0	27182702

## Approvals

### Approvals

---

## Electronic housing - EG 45-GP/ABS GN - 2764153

### Approvals

Approvals

UL Recognized

---

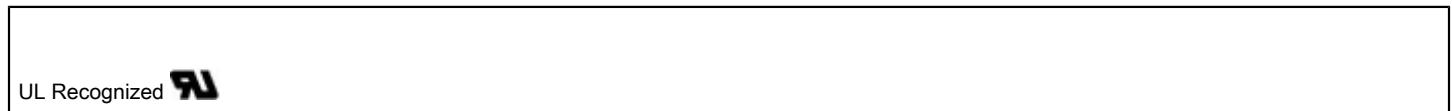
Ex Approvals

---

Approvals submitted

---

### Approval details



### Accessories

Accessories

Assembly

Printed-circuit board connector - FKCT 2,5/ 8-ST - 1909278



Plug component, Nominal current: 12 A, Rated voltage (III/2): 320 V, Number of positions: 8, Pitch: 5 mm, Connection method: Spring-cage conn., Color: green, Contact surface: Tin

Plug/Adapter

Coding star - CR-MSTB - 1734401



Coding section, inserted into the recess in the header or the inverted plug, red insulating material

## Electronic housing - EG 45-GP/ABS GN - 2764153

### Accessories

Coding profile - CP-MSTB - 1734634

Coding profile, is inserted into the slot on the plug or inverted header, red insulating material



---

Plug - MVSTBW 2,5/ 8-STEH - 1784309

Plug component, Nominal current: 12 A, Rated voltage (III/2): 320 V, Number of positions: 8, Pitch: 5 mm, Connection method: Screw connection, Color: green, Contact surface: Tin

---

Coding star - CR-MSTB - 1734401

Coding section, inserted into the recess in the header or the inverted plug, red insulating material



---

Coding profile - CP-MSTB - 1734634

Coding profile, is inserted into the slot on the plug or inverted header, red insulating material



---

Base strip - MSTBO 2,5/ 8-GL-5,08 - 1850495



Header, Nominal current: 8 A, Rated voltage (III/2): 320 V, Number of positions: 8, Pitch: 5.08 mm, Color: green, Contact surface: Tin, Assembly: Soldering



## Electronic housing - EG 45-GP/ABS GN - 2764153

### Accessories

#### Printed-circuit board connector - MVSTBW 2,5/ 8-ST - 1792582



Plug component, Nominal current: 12 A, Rated voltage (III/2): 320 V, Number of positions: 8, Pitch: 5 mm, Connection method: Screw connection, Color: green, Contact surface: Tin

#### Printed-circuit board connector - MVSTBW 2,5/ 8-ST-5,08 - 1792812



Plug component, Nominal current: 12 A, Rated voltage (III/2): 320 V, Number of positions: 8, Pitch: 5.08 mm, Connection method: Screw connection, Color: green, Contact surface: Tin

#### Printed-circuit board connector - FKCT 2,5/ 8-ST-5,08 - 1902178



Plug component, Nominal current: 12 A, Rated voltage (III/2): 320 V, Number of positions: 8, Pitch: 5.08 mm, Connection method: Spring-cage conn., Color: green, Contact surface: Tin

#### PCB terminal block base - MKKDSH 3/ 2 - 1721045



PCB terminal block, Nominal current: 24 A, Nom. voltage: 400 V, Pitch: 5 mm, Number of positions: 2, Connection method: Screw connection, Mounting: Soldering, Conductor/PCB connection direction: 0 °, Color: green, The article can be aligned to create different nos. of positions!

#### PCB terminal block - MKKDSH 3/ 3 - 1721346



PCB terminal block, Nominal current: 24 A, Nom. voltage: 400 V, Pitch: 5 mm, Number of positions: 3, Connection method: Screw connection, Mounting: Soldering, Conductor/PCB connection direction: 0 °, Color: green, The article can be aligned to create different nos. of positions!

#### PCB terminal block base - MKKDSH 3/ 8 - 1703283

## Electronic housing - EG 45-GP/ABS GN - 2764153

### Accessories

PCB terminal block, Nominal current: 24 A, Nom. voltage: 400 V, Pitch: 5 mm, Number of positions: 8, Connection method: Screw connection, Mounting: Soldering, Conductor/PCB connection direction: 0 °, Color: green, The article can be aligned to create different nos. of positions!

---

### Required add-on products

Electronic housing - EG 45-AE/ABS GN - 2764409



Housing cover, for connection on one side

---

Electronic housing - EG 45-A/ABS GN - 2764179



Housing cover, for connection on both sides

---

Electronic housing - EG 45-AG/ABS GN - 2907363



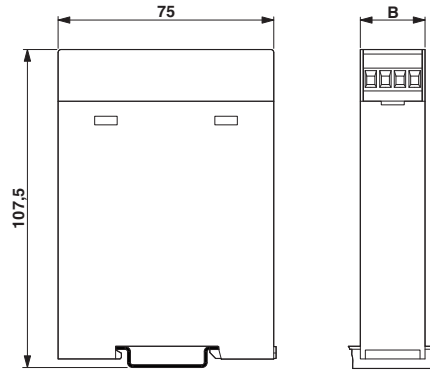
Housing cover, closed

---

### Drawings

# Electronic housing - EG 45-GP/ABS GN - 2764153

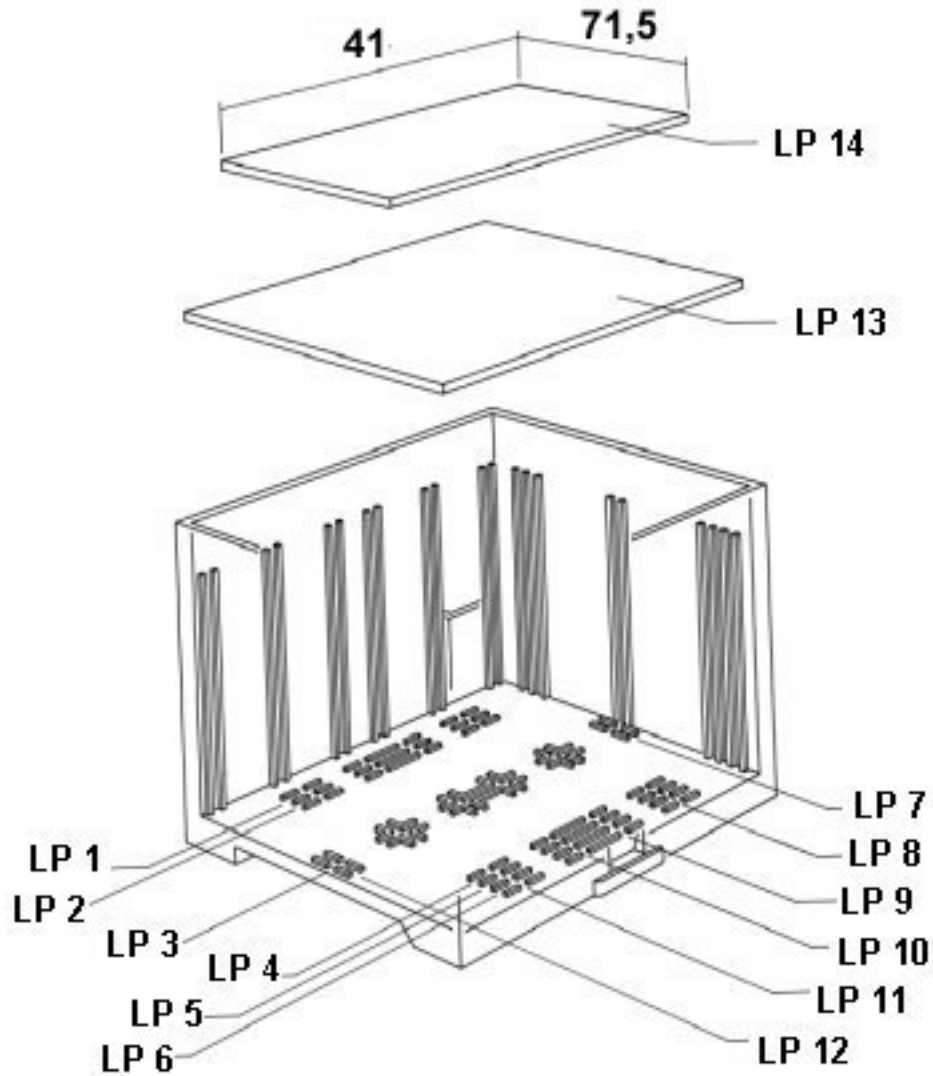
Dimensioned drawing





# Electronic housing - EG 45-GP/ABS GN - 2764153

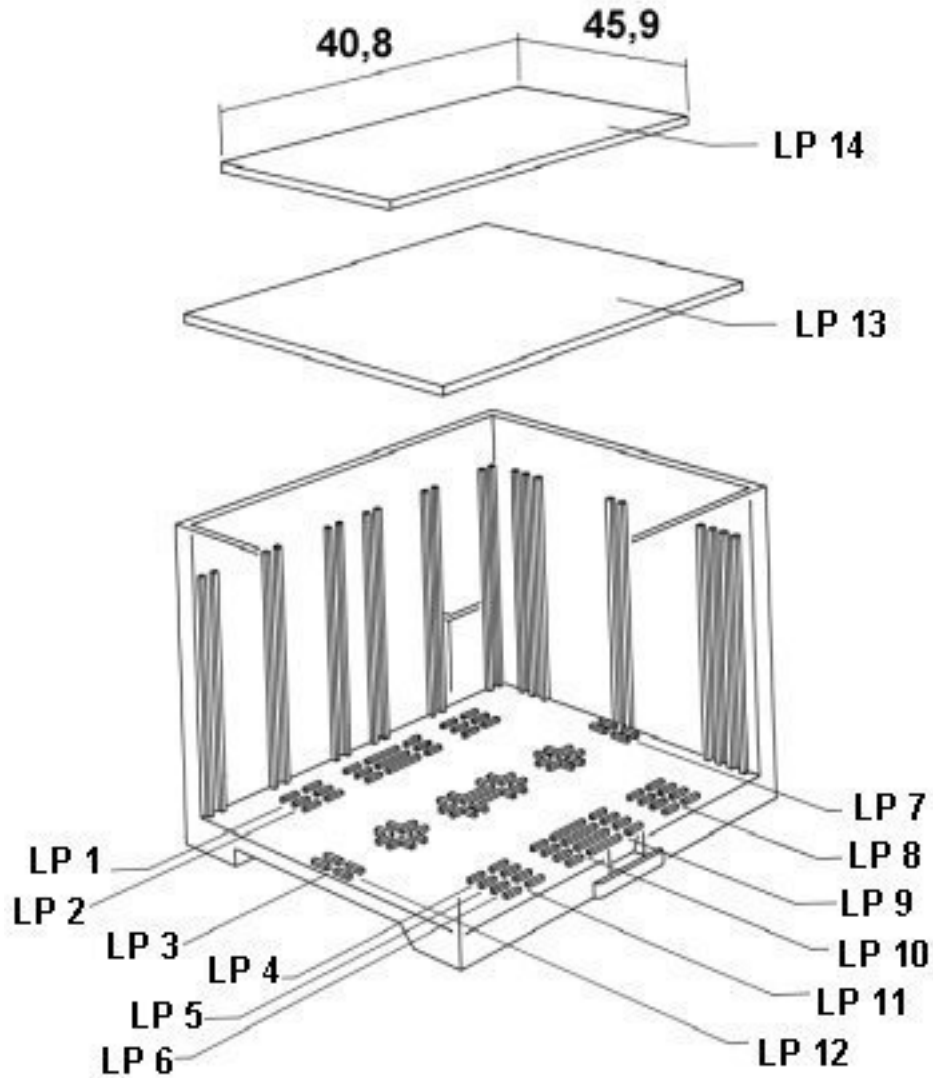
Explosion drawing



valid for PCB 13

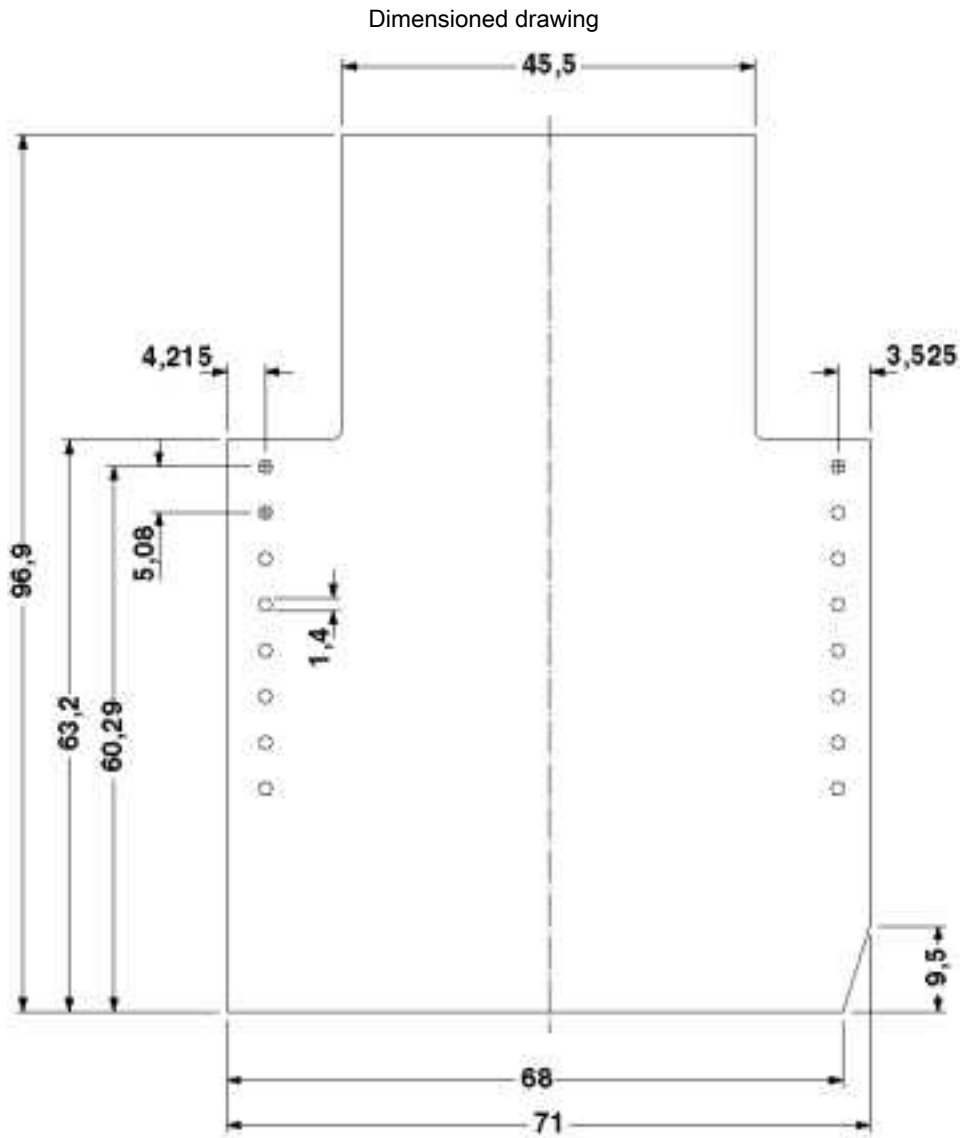
# Electronic housing - EG 45-GP/ABS GN - 2764153

Explosion drawing



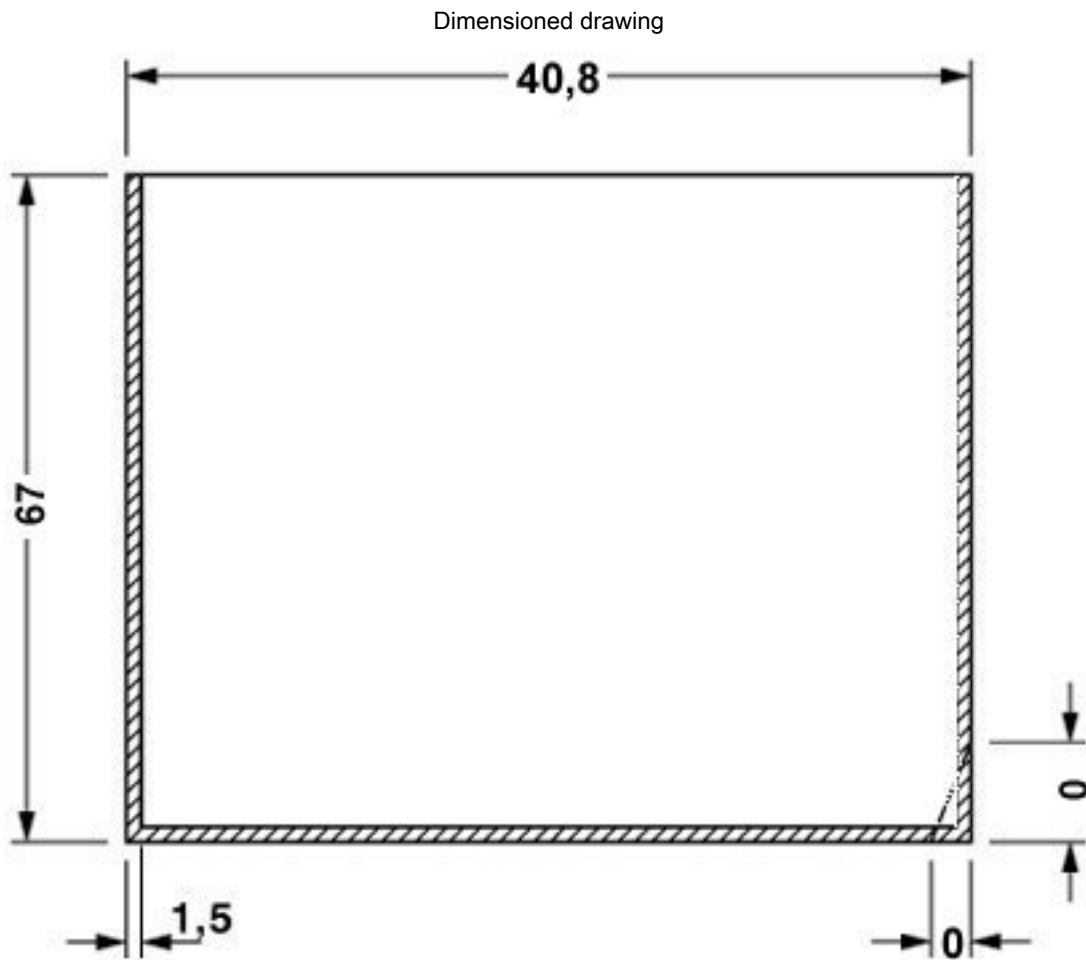
valid for PCB 14

# Electronic housing - EG 45-GP/ABS GN - 2764153



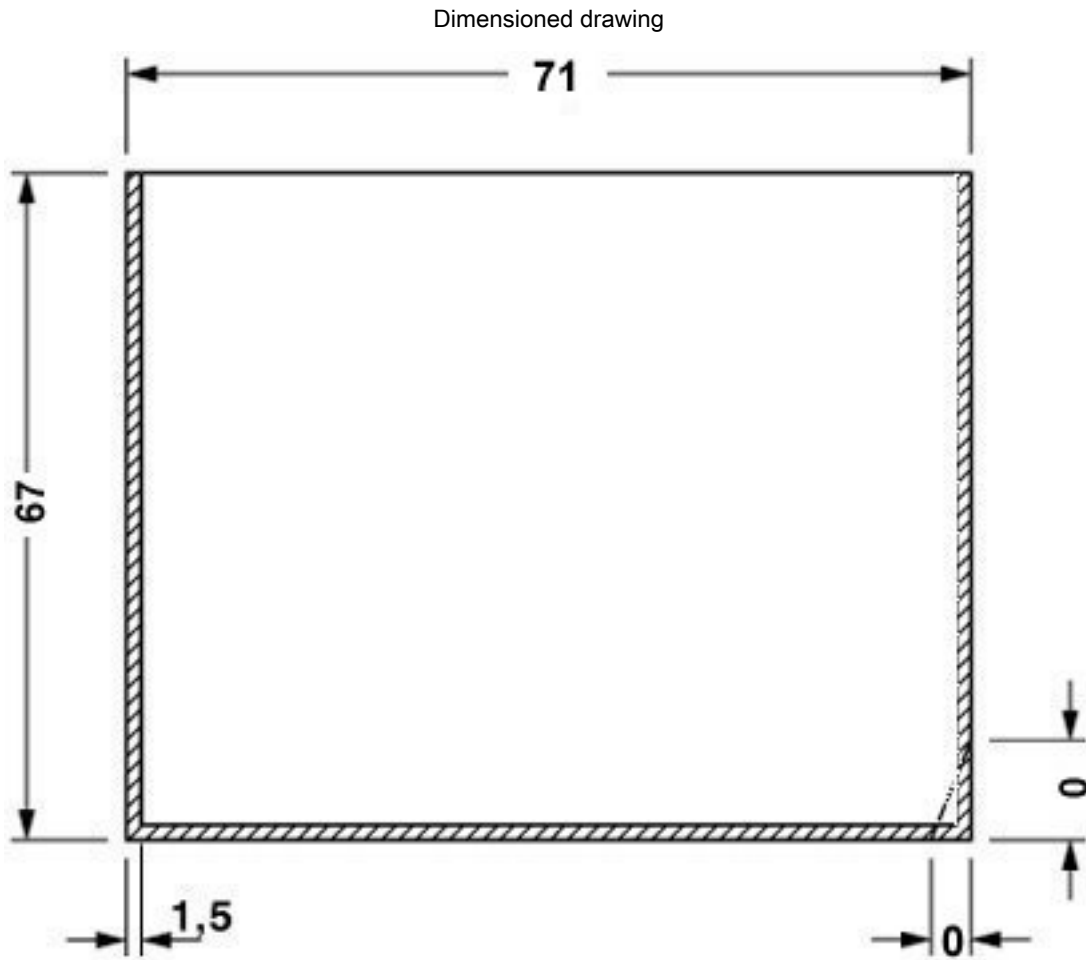
Component mounting side, if the double-level upper part is used

## Electronic housing - EG 45-GP/ABS GN - 2764153



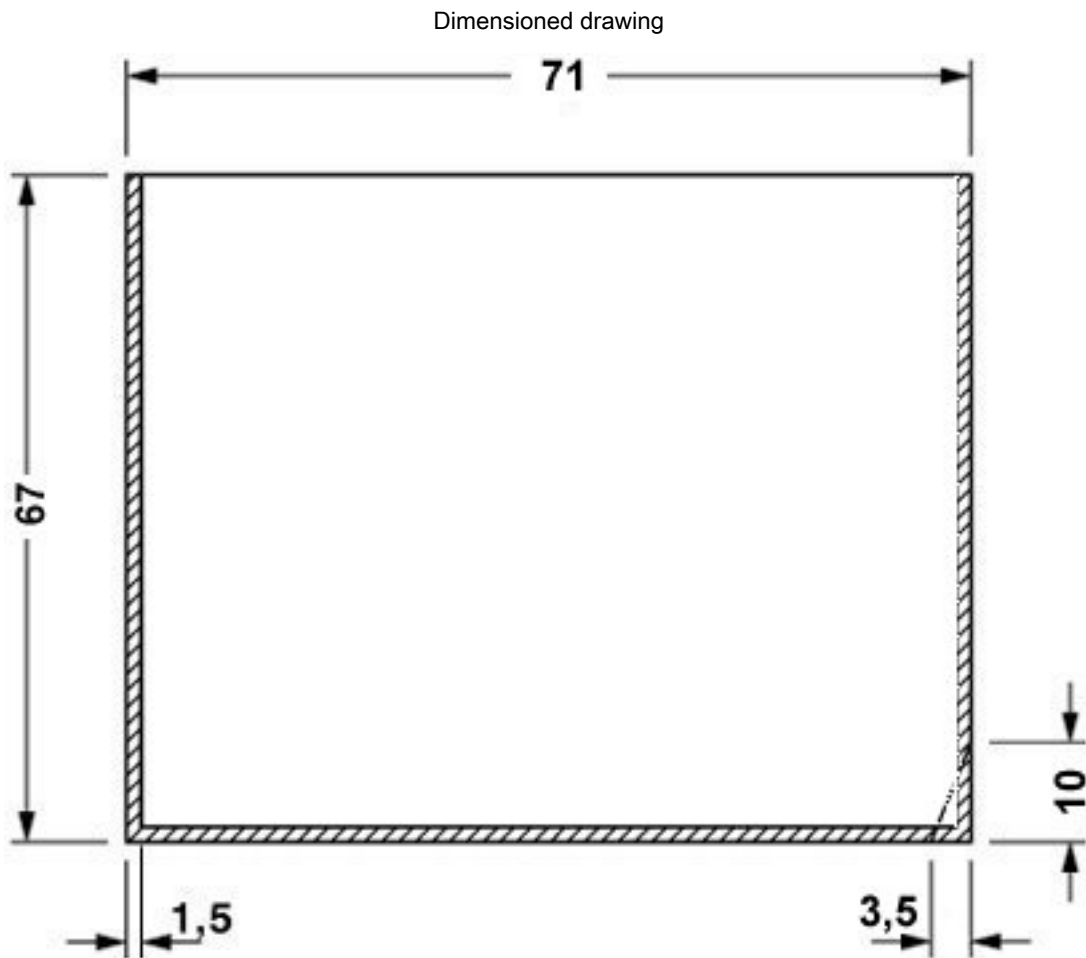
valid for PCB 1; 3; 5 and 6, see explosion drawing

# Electronic housing - EG 45-GP/ABS GN - 2764153



valid for PCB 7 and 12, see explosion drawing

## Electronic housing - EG 45-GP/ABS GN - 2764153



valid for PCB 10, see explosion drawing