



Chipsmall Limited consists of a professional team with an average of over 10 year of expertise in the distribution of electronic components. Based in Hongkong, we have already established firm and mutual-benefit business relationships with customers from,Europe,America and south Asia,supplying obsolete and hard-to-find components to meet their specific needs.

With the principle of “Quality Parts,Customers Priority,Honest Operation,and Considerate Service”,our business mainly focus on the distribution of electronic components. Line cards we deal with include Microchip,ALPS,ROHM,Xilinx,Pulse,ON,Everlight and Freescale. Main products comprise IC,Modules,Potentiometer,IC Socket,Relay,Connector.Our parts cover such applications as commercial,industrial, and automotives areas.

We are looking forward to setting up business relationship with you and hope to provide you with the best service and solution. Let us make a better world for our industry!



## Contact us

Tel: +86-755-8981 8866 Fax: +86-755-8427 6832

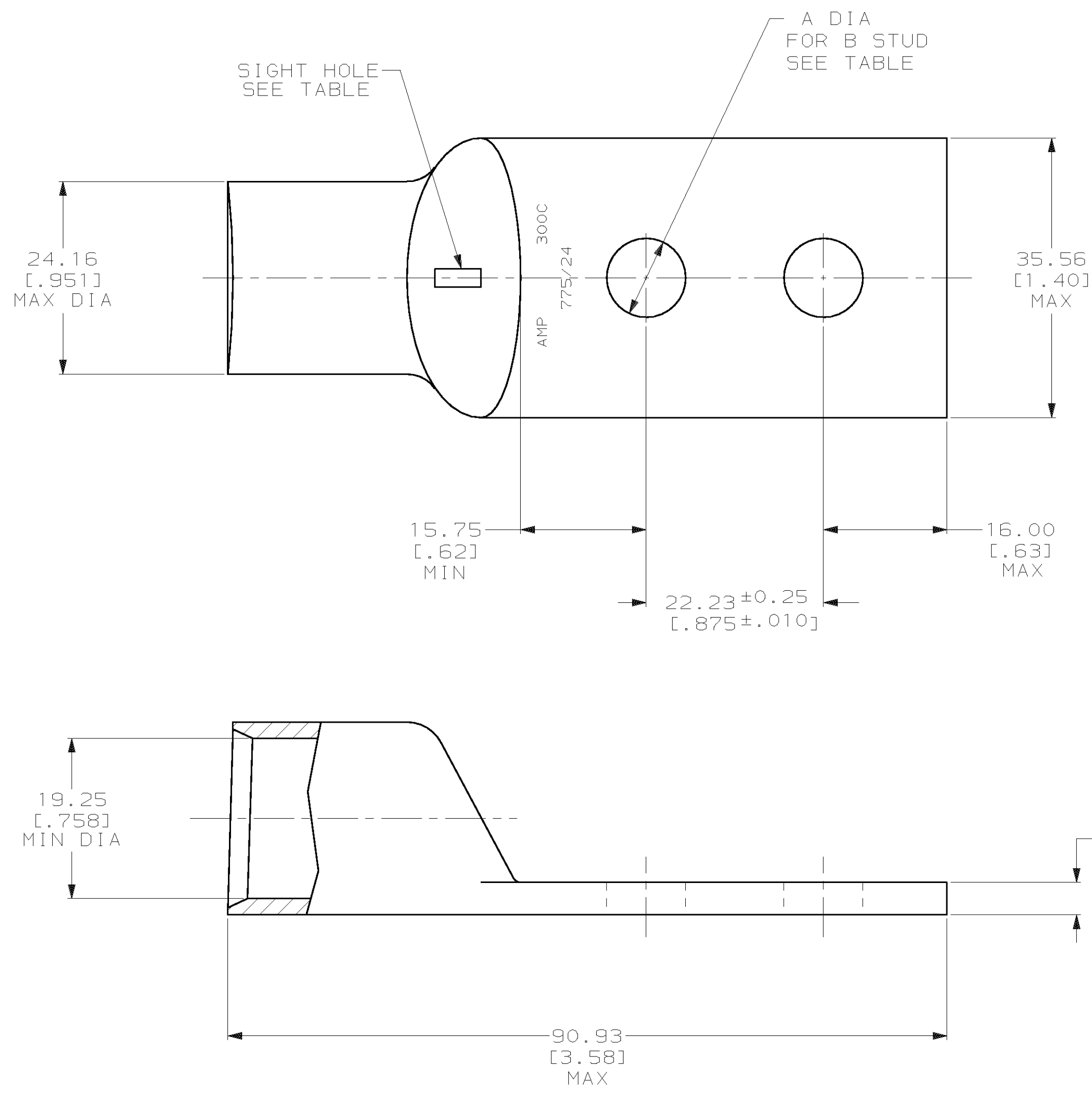
Email & Skype: info@chipsmall.com Web: www.chipsmall.com

Address: A1208, Overseas Decoration Building, #122 Zhenhua RD., Futian, Shenzhen, China



THIS DRAWING IS UNPUBLISHED. RELEASED FOR PUBLICATION, 19 .  
 © COPYRIGHT 19 BY AMP INCORPORATED. ALL INTERNATIONAL RIGHTS RESERVED.

LOC		DIST		P		F		ZONE		LTR		REVISIONS		DATE	APPD
G		86										E REV PER 063A-0561-01		07OCT02	JR MS



1 CIRCULAR MIL AREA RANGE: 275-325 MCM  
 2 TIN PL 0.00381 [0.00150] MIN THK PER MIL-T-10727

WEIGHT	SIGHT HOLE	A	B	PART NO
.208 lbs	REQD	9.91 [0.390]	3/8	276917-2
.211 lbs	NONE	8.33 [0.328]	5/16	276917-1

DO NOT SCALE PRINT. UNLESS SPECIFIED DIMENSIONS IN mm [INCHES] TOLERANCES ON : 2 PLC DEC ± 0.51 [0.020] 3 PLC DEC ± - ANGLES ± -	DR 03/09/90 DK SCHRUM	AMP INCORPORATED Harrisburg, Pa. 17105			
MATERIAL ANNEALED COPPER ASTM B-75	CHK 23JAN95 MS FEHER				
FINISH △	APPD 23JAN95 WJ VOCKROTH	PRODUCT SPEC 108-30200	SIZE C	CAGE CODE 00779	DRAWING NO 276917
	APPD 23JAN95 TL SHUTTER	APPLICATION SPEC -	SCALE 2:1		SHEET 1 OF 1
		WEIGHT -			

