



Chipsmall Limited consists of a professional team with an average of over 10 year of expertise in the distribution of electronic components. Based in Hongkong, we have already established firm and mutual-benefit business relationships with customers from,Europe,America and south Asia,supplying obsolete and hard-to-find components to meet their specific needs.

With the principle of “Quality Parts,Customers Priority,Honest Operation,and Considerate Service”,our business mainly focus on the distribution of electronic components. Line cards we deal with include Microchip,ALPS,ROHM,Xilinx,Pulse,ON,Everlight and Freescale. Main products comprise IC,Modules,Potentiometer,IC Socket,Relay,Connector.Our parts cover such applications as commercial,industrial, and automotives areas.

We are looking forward to setting up business relationship with you and hope to provide you with the best service and solution. Let us make a better world for our industry!



## Contact us

Tel: +86-755-8981 8866 Fax: +86-755-8427 6832

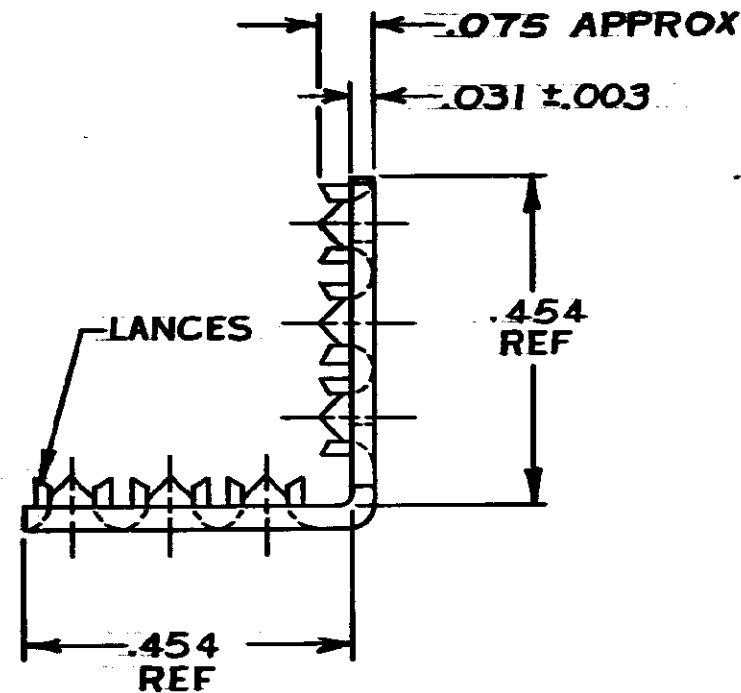
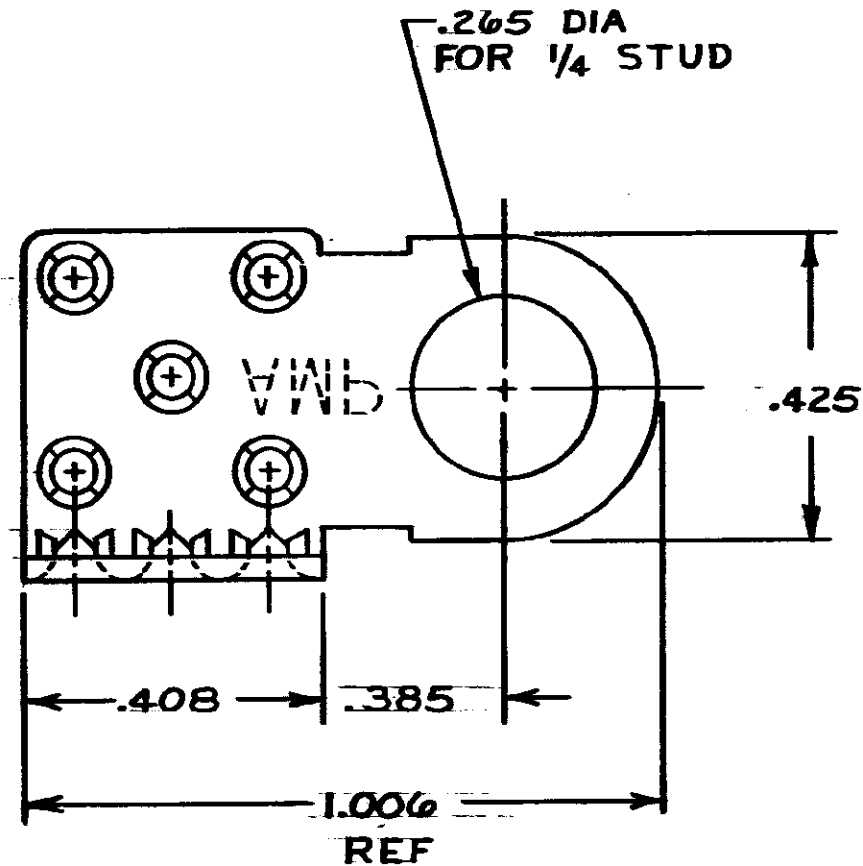
Email & Skype: info@chipsmall.com Web: www.chipsmall.com

Address: A1208, Overseas Decoration Building, #122 Zhenhua RD., Futian, Shenzhen, China



© COPYRIGHT 1980 BY AMP INCORPORATED, HARRISBURG, PA.  
ALL INTERNATIONAL RIGHTS RESERVED. AMP INCORPORATED PRODUCTS  
COVERED BY U. S. AND FOREIGN PATENTS AND/OR PATENTS PENDING.

REVISIONS						
P	F	ZONE	LTR	DESCRIPTION	DATE	APPROVED
✓	✓		O	REL P80-20013	PA 4/17/80	✓
✓	✓		A	REV U-1456	PA 6/17/80	✓
✓	✓		B	REV U-1509	CP 9/19/80	✓
✓	✓		C	REV PER G-5581	11/6/90	DKS/AIK



AS SHOWN 276959-2  
REMARKS PART NO

UNLESS OTHERWISE SPECIFIED DIMENSIONS ARE IN INCHES. TOLERANCES ON: DECIMALS ±.008 ANGLES ± 5°	CONTRACT NO	AMP INCORPORATED Harrisburg, Pa.		
	DR <i>P. M. Gallagher</i> 3/10/80			
	MATERIAL COPPER-ANNEALED (QQ-C-576)	CHK <i>Craig Pierce</i> 4-17-80	NAME	TERMI-FOIL TAP
	FINISH TIN PLATE (MIL-T-10727)	APPD <i>John R. Williams</i> 3/10/80	APPD	APPD
	DSGN-APPD <i>John R. Williams</i> 4/17/80	SIZE	B	
	OTHER APPD <i>RE Dotted</i> 9/11/80	CODE IDENT NO	00779	
		DRAWING NO	276959	
		SCALE	4:1	
		SHEET		