



Chipsmall Limited consists of a professional team with an average of over 10 year of expertise in the distribution of electronic components. Based in Hongkong, we have already established firm and mutual-benefit business relationships with customers from,Europe,America and south Asia,supplying obsolete and hard-to-find components to meet their specific needs.

With the principle of “Quality Parts,Customers Priority,Honest Operation,and Considerate Service”,our business mainly focus on the distribution of electronic components. Line cards we deal with include Microchip,ALPS,ROHM,Xilinx,Pulse,ON,Everlight and Freescale. Main products comprise IC,Modules,Potentiometer,IC Socket,Relay,Connector.Our parts cover such applications as commercial,industrial, and automotives areas.

We are looking forward to setting up business relationship with you and hope to provide you with the best service and solution. Let us make a better world for our industry!



Contact us

Tel: +86-755-8981 8866 Fax: +86-755-8427 6832

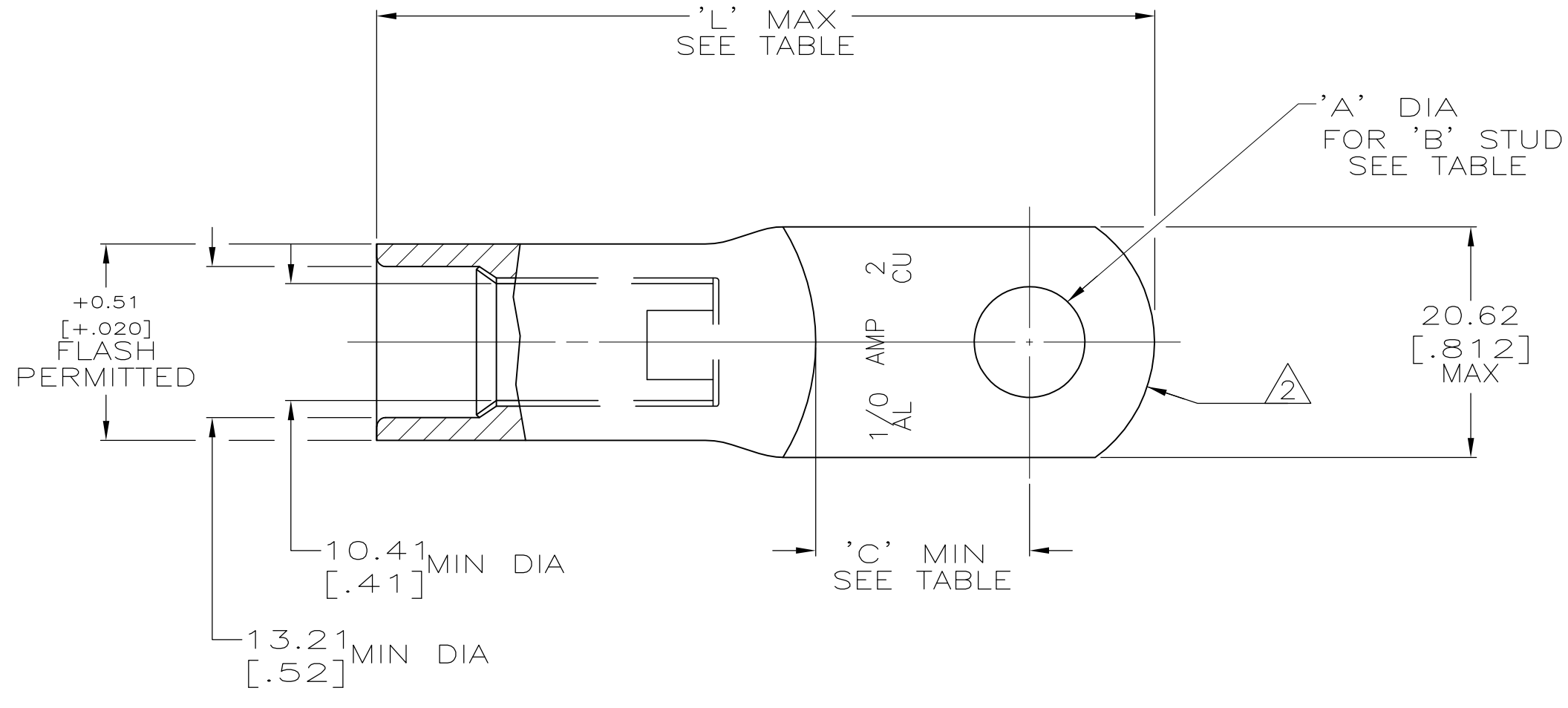
Email & Skype: info@chipsmall.com Web: www.chipsmall.com

Address: A1208, Overseas Decoration Building, #122 Zhenhua RD., Futian, Shenzhen, China

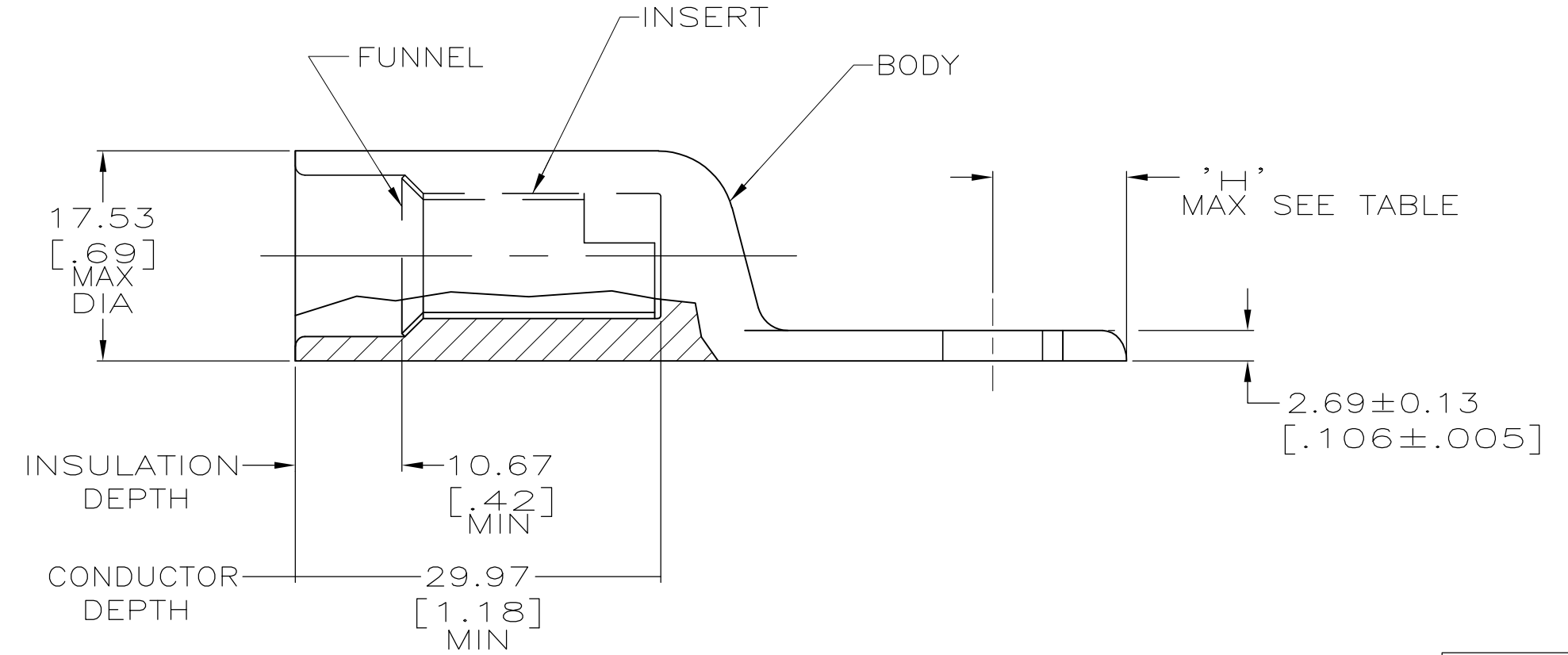


THIS DRAWING IS UNPUBLISHED. RELEASED FOR PUBLICATION
 © COPYRIGHT - By - ALL RIGHTS RESERVED.

LOC		DIST		REVISIONS			
P	LTR	DESCRIPTION		DATE	DWN	APVD	
G	86	P					
		P	REV PER ECO-12-014539	14AUG12	PY	JW	



1 WIRE INSULATION: 10.79[.425] - 11.94[.470] DIA
 2 THE TONGUE RADIUS FEATURE IS NOT A TOOLING CONTROLLED DIMENSION AND MAY NOT BE A TRUE RADIUS.



	WEIGHT	'A'	'B'	'L'	'C'	'H'	MATERIAL & FINISH	PART NO.
	-	8.33[.328]	5/16	63.75[2.51]	12.45[.49]	10.18[.401]	BODY: COPPER ASTM-B187 ANNEALED TIN PL PER MIL-T-10727 0.00381[.000150] MIN THK	277151-7
OBSOLETE	-	13.08[.515]	1/2	69.34[2.73]	16.76[.66]	11.38[.448]		277151-6
	57.0±5 GRAMS	6.73[.265]	1/4					277151-5
OBSOLETE	-	13.08[.515]	1/2	63.75[2.51]	12.45[.49]	10.18[.401]	INSERT & FUNNEL: BRASS ASTM B36 NICKEL PL SAE AMS QQ-N-290A, DATED JULY 2000, 0.00254 [.000100] MIN THK	277151-4
	54.0±5 GRAMS	6.73[.265]	1/4					277151-3
	56.0±5 GRAMS	9.91[.390]	3/8	69.34[2.73]	16.76[.66]	11.38[.448]		277151-2
	53.0±5 GRAMS			63.75[2.51]	12.45[.49]	10.18[.401]		277151-1

THIS DRAWING IS A CONTROLLED DOCUMENT.

DWN	DK SCHRUM	6/23/89
CHK	MS FEHER	10/16/90
APVD	AJ KAUFMAN	10/23/90
PRODUCT SPEC	108-11011	
APPLICATION SPEC	114-2134	
WEIGHT	SEE TABLE	
CUSTOMER DRAWING	SCALE	2:1

TE Connectivity
 WIRE TERMINAL, RING TONGUE, SEALED COPALUM
 55.5mm2 [1/0] ALUMINUM
 34.3mm2 [2] COPPER

SIZE: A2 CAGE CODE: 00779 DRAWING NO: C-277151 RESTRICTED TO: -

SHEET 1 of 1 REV P