

Chipsmall Limited consists of a professional team with an average of over 10 year of expertise in the distribution of electronic components. Based in Hongkong, we have already established firm and mutual-benefit business relationships with customers from,Europe,America and south Asia,supplying obsolete and hard-to-find components to meet their specific needs.

With the principle of “Quality Parts,Customers Priority,Honest Operation,and Considerate Service”,our business mainly focus on the distribution of electronic components. Line cards we deal with include Microchip,ALPS,ROHM,Xilinx,Pulse,ON,Everlight and Freescale. Main products comprise IC,Modules,Potentiometer,IC Socket,Relay,Connector.Our parts cover such applications as commercial,industrial, and automotives areas.

We are looking forward to setting up business relationship with you and hope to provide you with the best service and solution. Let us make a better world for our industry!



## Contact us

Tel: +86-755-8981 8866 Fax: +86-755-8427 6832

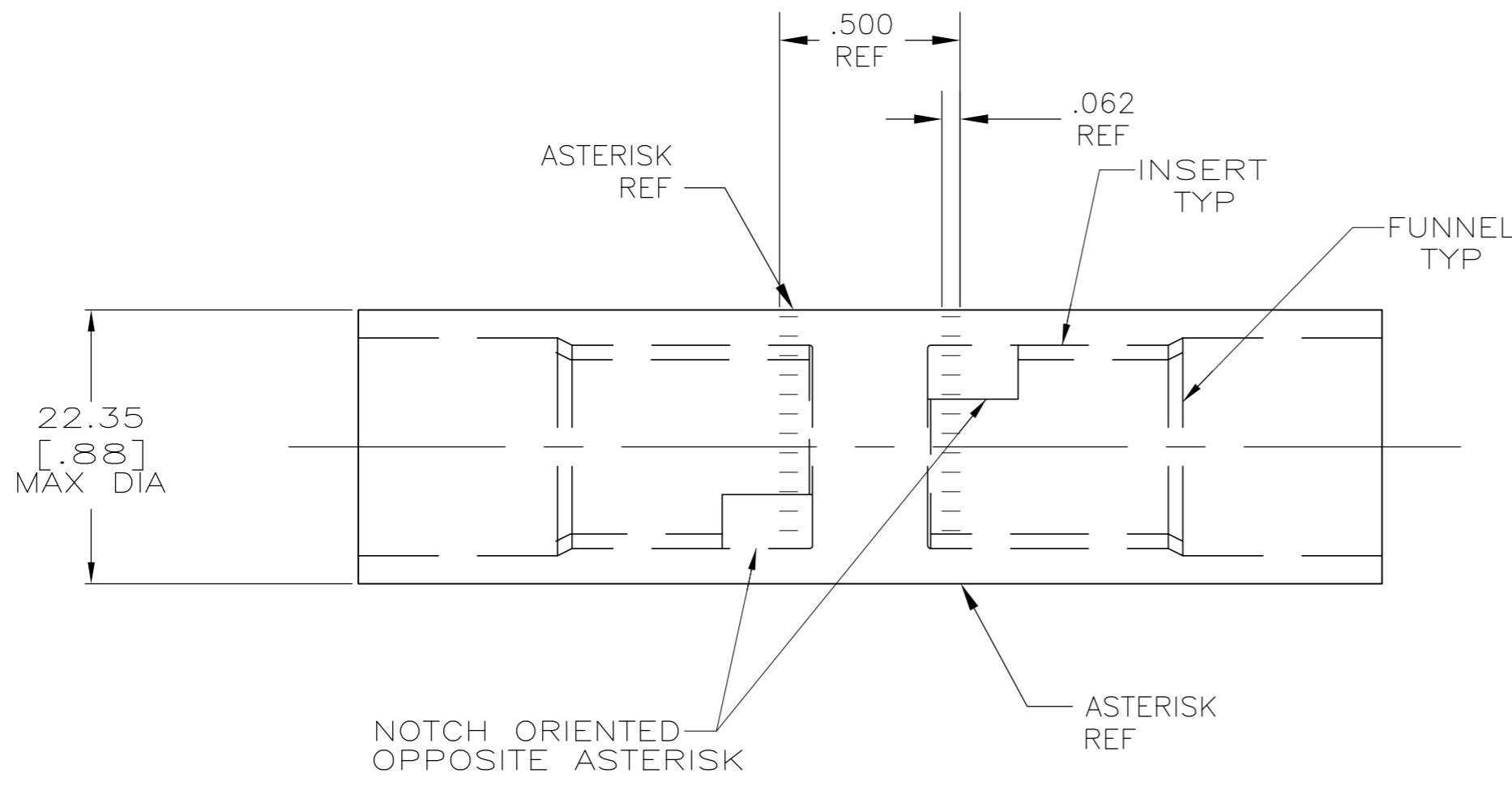
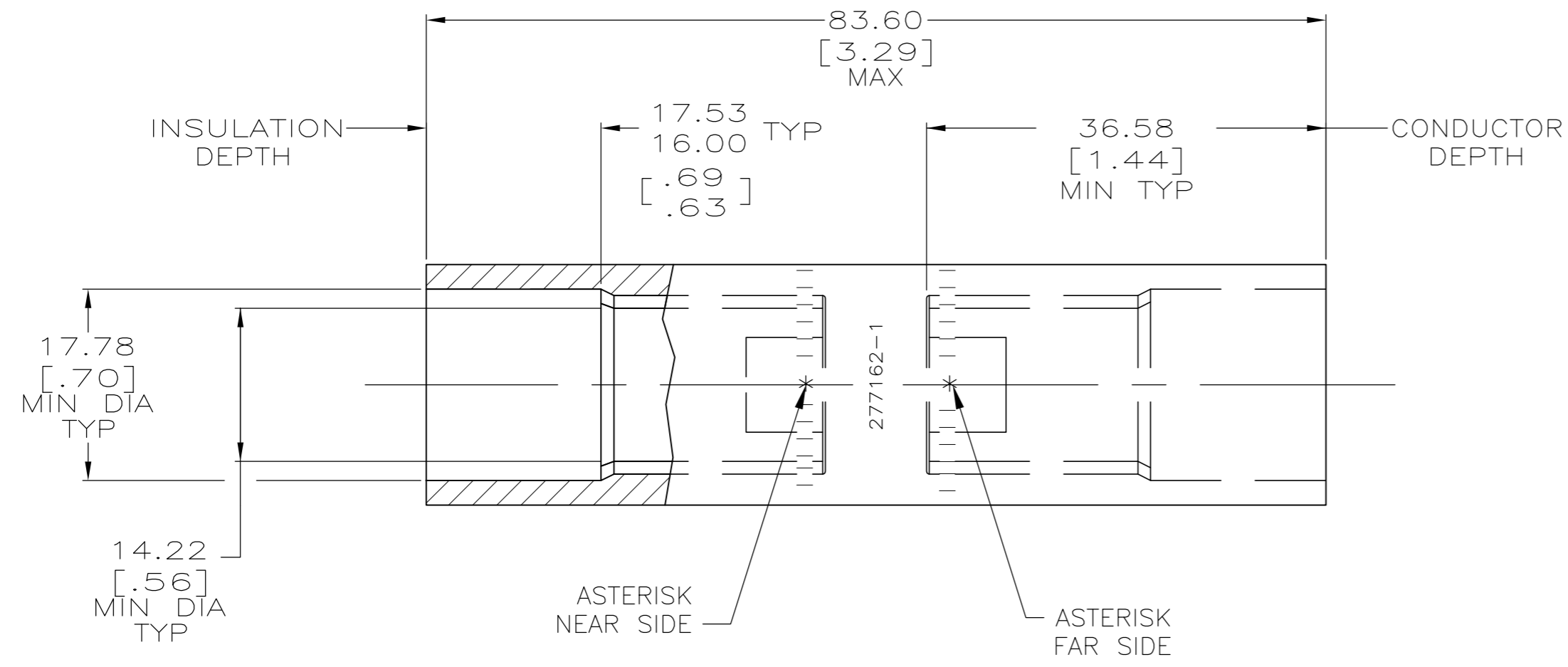
Email & Skype: [info@chipsmall.com](mailto:info@chipsmall.com) Web: [www.chipsmall.com](http://www.chipsmall.com)

Address: A1208, Overseas Decoration Building, #122 Zhenhua RD., Futian, Shenzhen, China

THIS DRAWING IS UNPUBLISHED. RELEASED FOR PUBLICATION  
 © COPYRIGHT - By - ALL RIGHTS RESERVED.

LOC	DIST	REVISIONS					
		P	LTR	DESCRIPTION	DATE	DWN	APVD
G	86	N		REV PER ECO-11-008916	13MAY11	PY	BW

1 WIRE INSULATION: 13.21[.520] - 16.38[.645] DIA  
 △ STAMP " 277162-1 AMP 3/0AL-2/OCU"  
 APPROX AS SHOWN,



SPLICE: COPPER ASTM B-187 TIN PL PER ASTM B-545 0.00381[.000150] MIN THK INSERT & FUNNEL: BRASS ASTM B36 NICKEL PL SAE AMS QQ-N-290A, DATED JULY 2000, 0.00254 [.000100] MIN THK	277162-1
MATERIAL AND FINISH	PART NO

THIS DRAWING IS A CONTROLLED DOCUMENT.		DWN	DK SCHRUM	7/6/89		TE Connectivity					
DIMENSIONS: MM [ INCHES ]		CHK	MS FEHER	1/15/90		NAME					
TOLERANCES UNLESS OTHERWISE SPECIFIED:		APVD	MJ SPICER	1/15/90		WIRE SPLICE, BUTT, COPALUM					
0 PLC ± - 1 PLC ± - 2 PLC ± 0.20[.008] 3 PLC ± - 4 PLC ± - ANGLES ± -		PRODUCT SPEC	108-11011			SIZE	CAGE CODE	DRAWING NO			
MATERIAL	SEE TABLE	FINISH	SEE TABLE	WEIGHT	127.5 GRAMS	A2	00779	DRAWING NO	C=277162	RESTRICTED TO	-
CUSTOMER DRAWING				SCALE	2:1	SHEET	1 of 1	REV	N		