



Chipsmall Limited consists of a professional team with an average of over 10 year of expertise in the distribution of electronic components. Based in Hongkong, we have already established firm and mutual-benefit business relationships with customers from,Europe,America and south Asia,supplying obsolete and hard-to-find components to meet their specific needs.

With the principle of "Quality Parts,Customers Priority,Honest Operation,and Considerate Service",our business mainly focus on the distribution of electronic components. Line cards we deal with include Microchip,ALPS,ROHM,Xilinx,Pulse,ON,Everlight and Freescale. Main products comprise IC,Modules,Potentiometer,IC Socket,Relay,Connector.Our parts cover such applications as commercial,industrial, and automotives areas.

We are looking forward to setting up business relationship with you and hope to provide you with the best service and solution. Let us make a better world for our industry!



Contact us

Tel: +86-755-8981 8866 Fax: +86-755-8427 6832

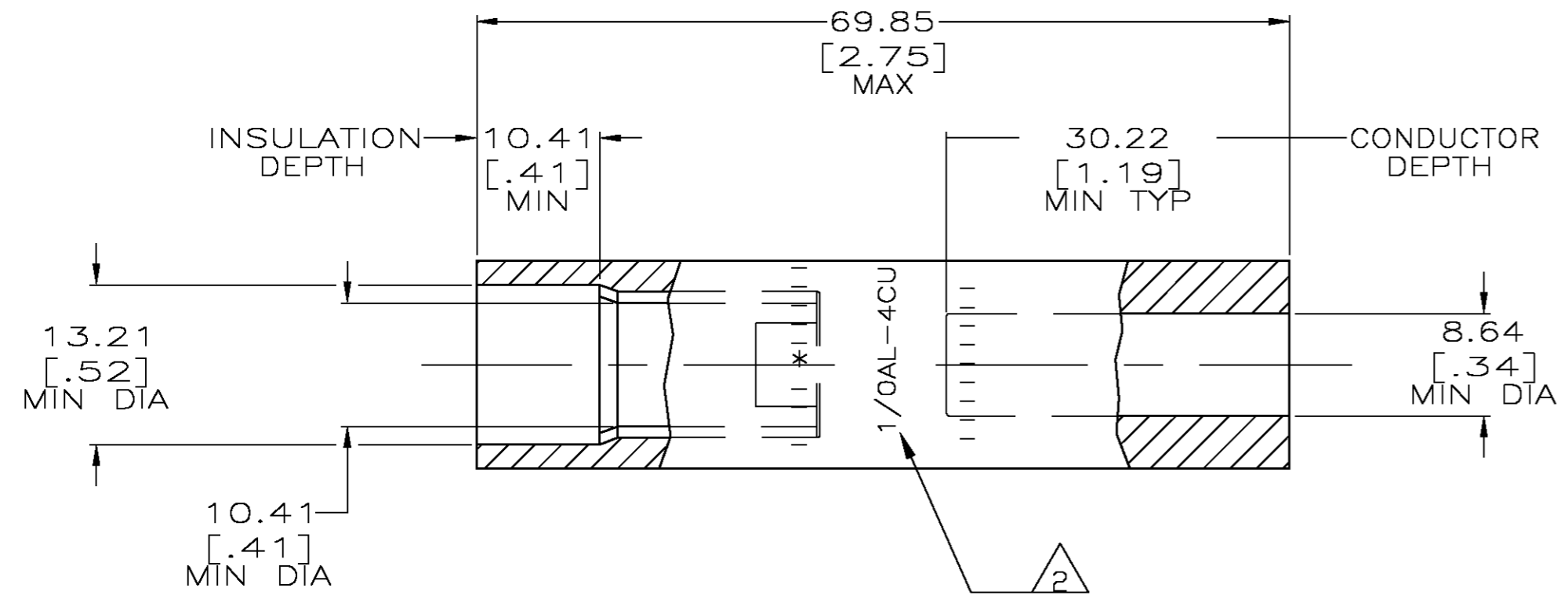
Email & Skype: info@chipsmall.com Web: www.chipsmall.com

Address: A1208, Overseas Decoration Building, #122 Zhenhua RD., Futian, Shenzhen, China



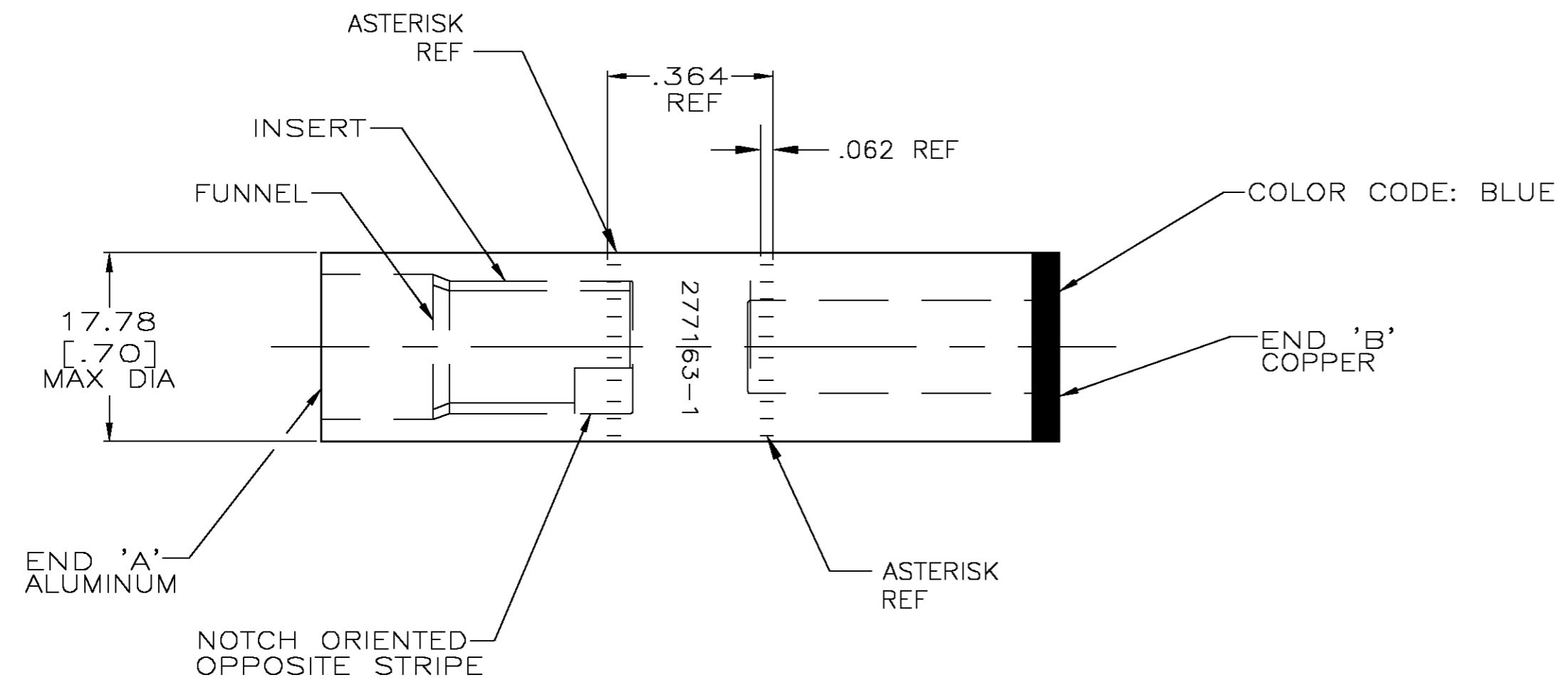
THIS DRAWING IS UNPUBLISHED. RELEASED FOR PUBLICATION
 © COPYRIGHT BY TYCO ELECTRONICS CORPORATION. ALL RIGHTS RESERVED.

LOC	DIST	REVISIONS					
		P	LTR	DESCRIPTION	DATE	DWN	APVD
G	86						
		P		REV PER 0G3A-0499-04	24JUN04	JR	MS



1 WIRE INSULATION:
 END 'A' 10.80[.425] - 11.94[.470] DIA FOR 1/0 AL
 END 'B' 7.01[.276] - 7.75[.305] DIA FOR 4 CU

△ 2 STAMP 277163-1 AMP 1/0AL-4CU APPROX AS SHOWN



INSERT & FUNNEL: BRASS MIL-C-50
 NICKEL PL QQ-N-290 0.00762[.000300] AVG THK
 SPLICE: COPPER ASTM B-187
 TIN PL ASTM B545 0.00381[.000150] MIN THK

MATERIAL & FINISH

277163-1

THIS DRAWING IS A CONTROLLED DOCUMENT.		DWN	DK SCHRUM	7/6/89	 Tyco Electronics Corporation Harrisburg, Pa 17105-3608			
DIMENSIONS: mm [INCHES]		CHK	MS FEHER	5/1/91				
TOLERANCES UNLESS OTHERWISE SPECIFIED:		APVD	MJ SPICER	5/1/91				
0 PLC ± - 1 PLC ± - 2 PLC ± - 3 PLC ± - 4 PLC ± - ANGLES ± - FINISH SEE TABLE		NAME	WIRE SPLICE, TRANSITIONAL, COPALUM, SEALED, WIRE SIZE: 22.0mm [4] COPPER 55.5mm ² [1/0] ALUMINUM					
MATERIAL SEE TABLE		PRODUCT SPEC	108-11011		SIZE	CAGE CODE	DRAWING NO	RESTRICTED TO
		APPLICATION SPEC	114-2134		SCALE	2:1		SHEET 1 OF 1
		WEIGHT	92.5 GRAMS		REV	P		
		CUSTOMER DRAWING			A2 00779 C=277163			