



Chipsmall Limited consists of a professional team with an average of over 10 year of expertise in the distribution of electronic components. Based in Hongkong, we have already established firm and mutual-benefit business relationships with customers from,Europe,America and south Asia,supplying obsolete and hard-to-find components to meet their specific needs.

With the principle of “Quality Parts,Customers Priority,Honest Operation,and Considerate Service”,our business mainly focus on the distribution of electronic components. Line cards we deal with include Microchip,ALPS,ROHM,Xilinx,Pulse,ON,Everlight and Freescale. Main products comprise IC,Modules,Potentiometer,IC Socket,Relay,Connector.Our parts cover such applications as commercial,industrial, and automotives areas.

We are looking forward to setting up business relationship with you and hope to provide you with the best service and solution. Let us make a better world for our industry!



Contact us

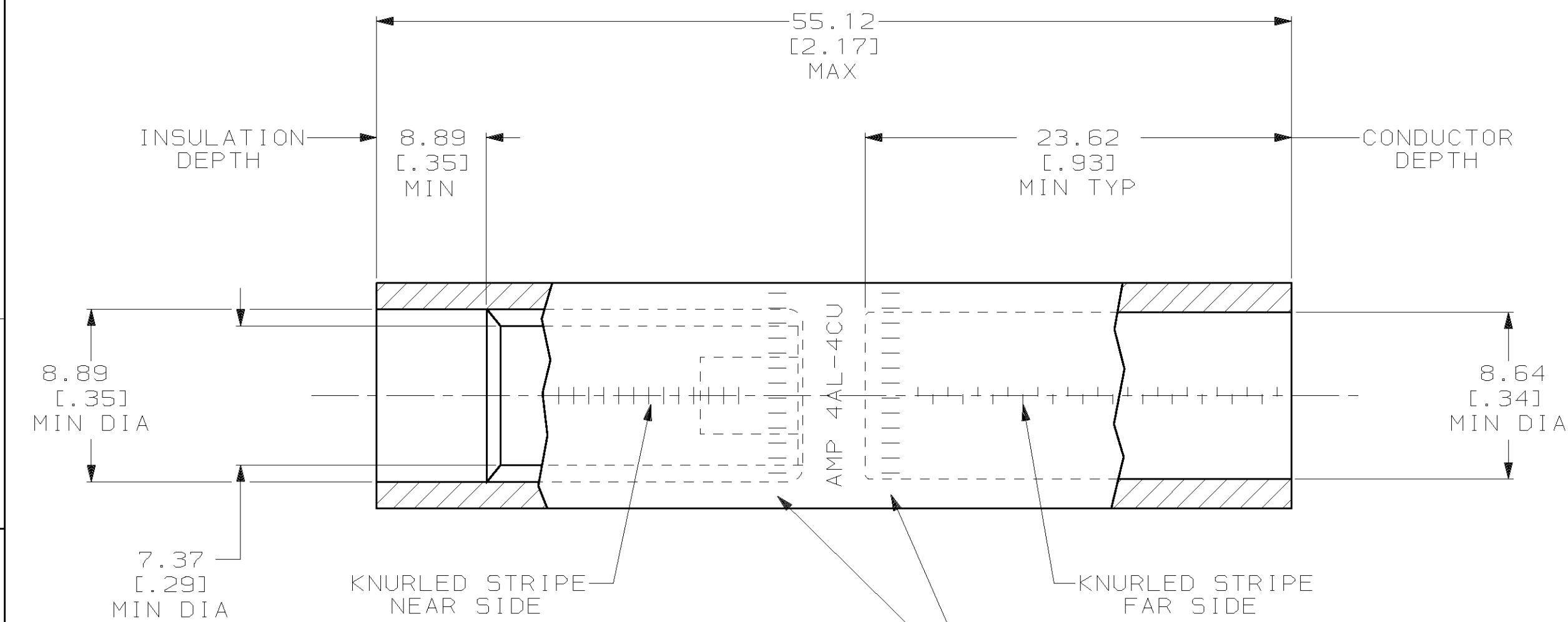
Tel: +86-755-8981 8866 Fax: +86-755-8427 6832

Email & Skype: info@chipsmall.com Web: www.chipsmall.com

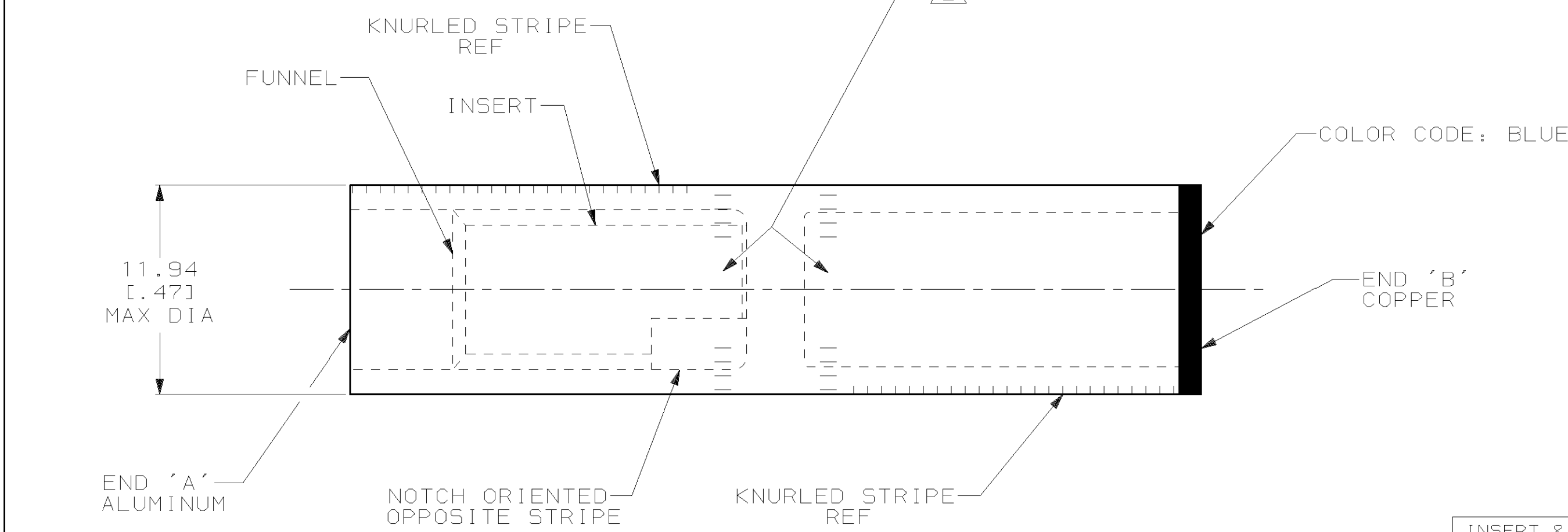
Address: A1208, Overseas Decoration Building, #122 Zhenhua RD., Futian, Shenzhen, China



LOC		DIST		ZONE		LTR		REVISIONS		DATE	APPD
G		86						K	REV PER 0G3A-0588-00	12SEP00	JR/MS



- 1 WIRE INSULATION:
 END 'A' 7.01 [.276] - 7.75 [.305] DIA FOR 4 AL
 END 'B' 7.01 [.276] - 7.75 [.305] DIA FOR 4 CU
- 2 CIRCUMFERENTIAL KNURLS HAVE BLANK AREAS POSITIONED 90° FROM STRAIGHT KNURLED STRIPES DESIGNATING NEW COPPER SPLICE BODY ALLOY ASTM B-301



<u>INSERT & FUNNEL</u> : BRASS MIL-C-50 NICKEL PL QQ-N-290 0.00762 [.000300] AVG THK	277165-1
<u>SPLICE</u> : COPPER ASTM B-301 TIN PL MIL-T-10727 0.00381 [.000150] MIN THK	
PART NO	

DO NOT SCALE PRINT. UNLESS SPECIFIED DIMENSIONS IN mm [INCHES] TOLERANCES ON: 2 PLC DEC ± - 3 PLC DEC ± - ANGLES ± -	DR 7/6/89 DK SCHRUM	AMP Incorporated Harrisburg, PA 17105-3608
	CHK 5/1/91 MS FEHER	
MATERIAL SEE TABLE	APPD 2/24/92 WJ VOCKROTH	NAME WIRE SPLICE, TRANSITIONAL, COPALUM™, SEALED, WIRE SIZE: 21.9mm ² [4] ALUMINUM 22.0mm ² [4] COPPER
	APPD 2/24/92 CR RHODS	
FINISH SEE TABLE	PRODUCT SPEC 108-11011 TENTATIVE	SIZE C 00779
	APPLICATION SPEC 114-2134	CAGE CODE 00779
WEIGHT 26.0 ±10 GRAMS	SCALE 4:1	DRAWING NO 277165
		SHEET 1 OF 1

METRIC