



Chipsmall Limited consists of a professional team with an average of over 10 year of expertise in the distribution of electronic components. Based in Hongkong, we have already established firm and mutual-benefit business relationships with customers from,Europe,America and south Asia,supplying obsolete and hard-to-find components to meet their specific needs.

With the principle of “Quality Parts,Customers Priority,Honest Operation,and Considerate Service”,our business mainly focus on the distribution of electronic components. Line cards we deal with include Microchip,ALPS,ROHM,Xilinx,Pulse,ON,Everlight and Freescale. Main products comprise IC,Modules,Potentiometer,IC Socket,Relay,Connector.Our parts cover such applications as commercial,industrial, and automotives areas.

We are looking forward to setting up business relationship with you and hope to provide you with the best service and solution. Let us make a better world for our industry!



Contact us

Tel: +86-755-8981 8866 Fax: +86-755-8427 6832

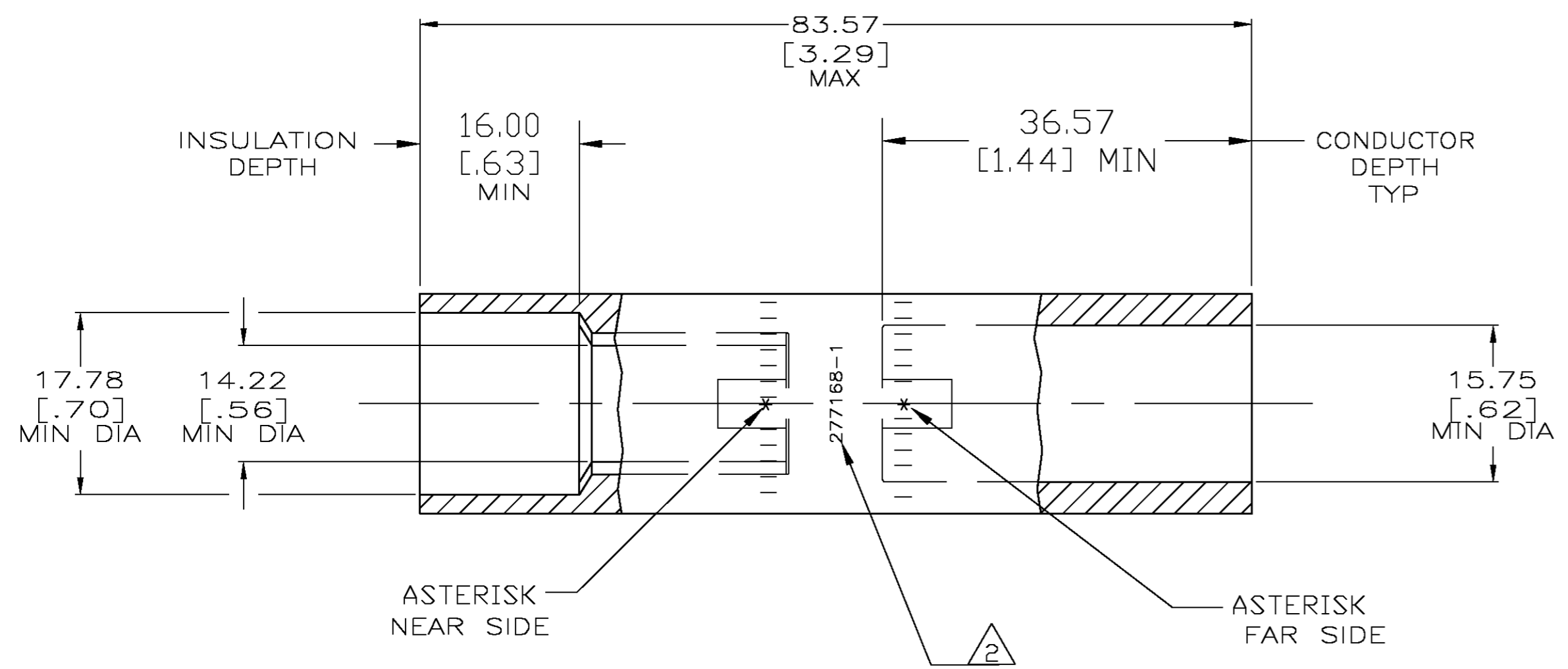
Email & Skype: info@chipsmall.com Web: www.chipsmall.com

Address: A1208, Overseas Decoration Building, #122 Zhenhua RD., Futian, Shenzhen, China

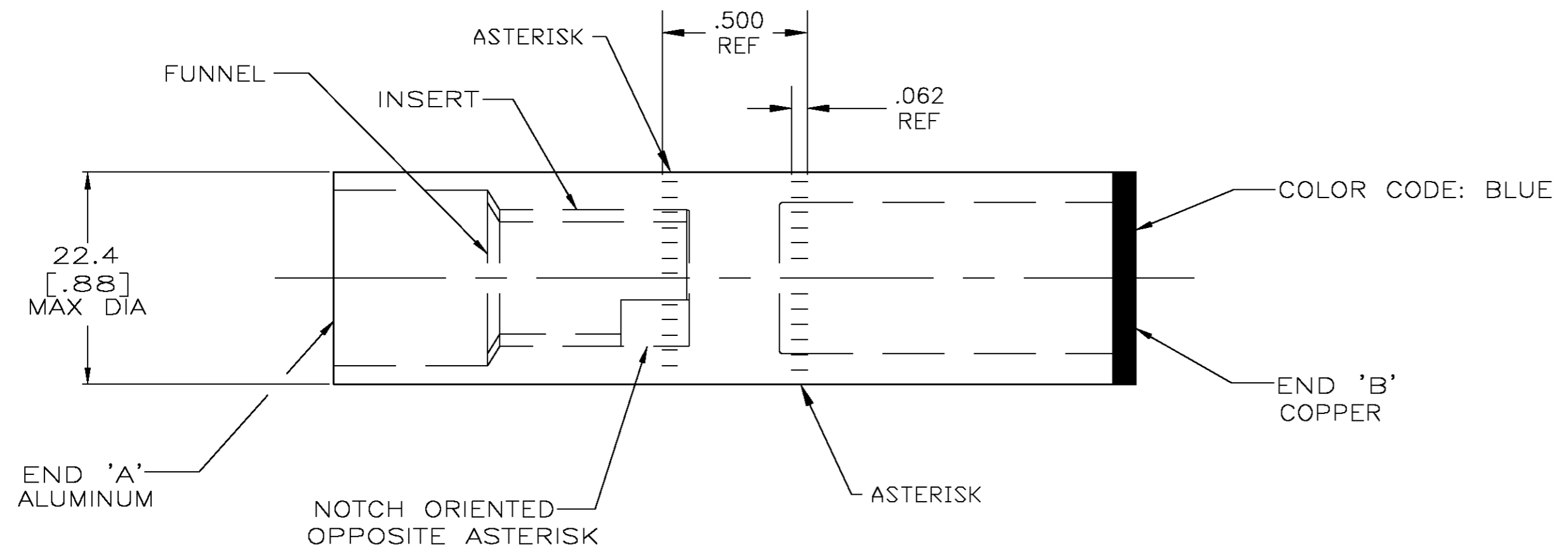


THIS DRAWING IS UNPUBLISHED. RELEASED FOR PUBLICATION
 © COPYRIGHT BY TYCO ELECTRONICS CORPORATION. ALL RIGHTS RESERVED.

LOC	DIST	REVISIONS					
		P	LTR	DESCRIPTION	DATE	DWN	APVD
G	86	M		REL PER 0G3A-0196-03	28MAR03	JR	MS



- 1 WIRE INSULATION:
 END 'A' 13.21[.520] - 16.38[.645] DIA FOR 3/0 AL
 END 'B' 10.92[.430] - 12.57[.495] DIA FOR 1/0 CU
- △ STAMP " 277168-1 AMP 3/0AL-1/0CU"
 APPROX AS SHOWN,



INSERT & FUNNEL: BRASS MIL-C-50 NICKEL PL QQ-N-290 0.00762[.000300] AVG THK SPLICE: COPPER ASTM B-187 TIN PL PER ASTM B-545 0.00381[.000150] MIN THK	277168-1
MATERIAL & FINISH	PART NO.

THIS DRAWING IS A CONTROLLED DOCUMENT.		DWN	DK SCHRUM	7/5/89	Tyco Electronics Corporation Harrisburg, PA 17105		
DIMENSIONS: INCHES		CHK	MS FEHER	5/1/91			
TOLERANCES UNLESS OTHERWISE SPECIFIED:		APVD	MJ SPICER	5/1/91			
0 PLC ± - 1 PLC ± - 2 PLC ± - 3 PLC ± - 4 PLC ± - ANGLES ± - FINISH SEE TABLE		PRODUCT SPEC	108-11011	NAME		WIRE SPLICE, TRANSITIONAL, COPALUM	
MATERIAL	SEE TABLE	WEIGHT	128.5 GRAMS	SIZE	A2		
		CUSTOMER DRAWING	SCALE	2:1	SHEET	1 OF 1	
				DRAWING NO	C=277168	RESTRICTED TO	-
				REVISIONS	REV	M	

277168

A