



Chipsmall Limited consists of a professional team with an average of over 10 year of expertise in the distribution of electronic components. Based in Hongkong, we have already established firm and mutual-benefit business relationships with customers from,Europe,America and south Asia,supplying obsolete and hard-to-find components to meet their specific needs.

With the principle of “Quality Parts,Customers Priority,Honest Operation,and Considerate Service”,our business mainly focus on the distribution of electronic components. Line cards we deal with include Microchip,ALPS,ROHM,Xilinx,Pulse,ON,Everlight and Freescale. Main products comprise IC,Modules,Potentiometer,IC Socket,Relay,Connector.Our parts cover such applications as commercial,industrial, and automotives areas.

We are looking forward to setting up business relationship with you and hope to provide you with the best service and solution. Let us make a better world for our industry!



Contact us

Tel: +86-755-8981 8866 Fax: +86-755-8427 6832

Email & Skype: info@chipsmall.com Web: www.chipsmall.com

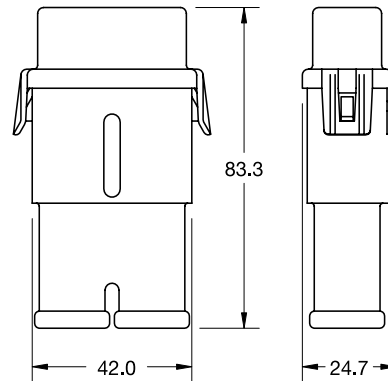
Address: A1208, Overseas Decoration Building, #122 Zhenhua RD., Futian, Shenzhen, China



Blade Fuseholders - Splash-waterproof Fuseholder for MAXI™ Style Blade Fuse



Dimensions in mm / Maße in mm



The In-Line Splash-water-proof fuseholder provides an efficient, simple installation method for MAXI / FK3-style fuse applications in harsh under-the-hood environments

Der spritzwassergeschützte In-Line-Sicherungshalter ermöglicht eine effiziente, einfache Installation von MAXI / FK3-Sicherungen in Anwendungen mit rauen Umgebungsbedingungen, z. B. freiliegende Karosserie-/Motorraumbereiche.

Part Number Artikel-Nr.	Description Beschreibung	Fuse Rating Sicherungs-Nennstrom
01520003TXN941	Assortment: Fuseholder 01520003 with terminals, seals and cover for 4-6mm ² - 10 pcs.	60 A
01520003TXN942	Assortment: Fuseholder 01520003 with terminals, seals and cover for 6-10mm ² - 10 pcs.	60 A
279.6850.0402	Assortment: Fuseholder 279.6800.000 with terminals, seals and cover for 4mm ² - 10 pcs.	80 A
279.6850.0602	Assortment: Fuseholder 279.6800.000 with terminals, seals and cover for 6-10mm ² - 10 pcs.	80 A
279.6850.1602	Assortment: Fuseholder 279.6800.000 with terminals, seals and cover for 16mm ² - 10 pcs.	80 A

Splash-waterproof MAXI™ Components

Part Number Artikel-Nr.	Description Beschreibung	Fuse Rating Sicherungs-Nennstrom
279.6800.000_	Fuseholder UL 94-V0 *	80 A
01520003_	Fuseholder PA66-GF30*	–
01520903_	Cover	–
0913726001	Loose terminals for wire Ø 2.5 - 4 mm ² - 300 pcs	–
09130726TXN	Loose terminals for wire Ø 2.5 - 4 mm ² - 10 pcs	–
0913727001	Loose terminals for wire Ø 4 - 6 mm ² - 300 pcs	–
09130727TXN	Loose terminals for wire Ø 4 - 6 mm ² - 10 pcs	–
0913728001	Loose terminals for wire Ø 6 - 10 mm ² - 300 pcs	–
09130728TXN	Loose terminals for wire Ø 6 - 10 mm ² - 10 pcs	–
868-905	Wire seals for wire Ø 2.5 - 6 mm ² , bulk - 1000 pcs	–
08680905TXN	Wire seals for wire Ø 2.5 - 6 mm ² - 10 pcs	–
868-906	Wire seals for wire Ø 6 - 10 mm ² , bulk - 1000 pcs	–
08680906TXN	Wire seals for wire Ø 6 - 10 mm ² - 10 pcs	–

Last figure of part number = packaging code, see Section "Packaging Index," pg. 157.

* PA66-GF30: heat resistant, hitzefest

UL 94-V0: self extinguishing, selbstlöschend