



Chipsmall Limited consists of a professional team with an average of over 10 year of expertise in the distribution of electronic components. Based in Hongkong, we have already established firm and mutual-benefit business relationships with customers from,Europe,America and south Asia,supplying obsolete and hard-to-find components to meet their specific needs.

With the principle of “Quality Parts,Customers Priority,Honest Operation,and Considerate Service”,our business mainly focus on the distribution of electronic components. Line cards we deal with include Microchip,ALPS,ROHM,Xilinx,Pulse,ON,Everlight and Freescale. Main products comprise IC,Modules,Potentiometer,IC Socket,Relay,Connector.Our parts cover such applications as commercial,industrial, and automotives areas.

We are looking forward to setting up business relationship with you and hope to provide you with the best service and solution. Let us make a better world for our industry!



## Contact us

Tel: +86-755-8981 8866 Fax: +86-755-8427 6832

Email & Skype: info@chipsmall.com Web: www.chipsmall.com

Address: A1208, Overseas Decoration Building, #122 Zhenhua RD., Futian, Shenzhen, China



# Electronic housing - UEG 20 - 2790211

Please be informed that the data shown in this PDF Document is generated from our Online Catalog. Please find the complete data in the user's documentation. Our General Terms of Use for Downloads are valid (<http://download.phoenixcontact.com>)



Electronic housing, for PCB insertion, fully equipped with 4 screw or tab connections per side

## Why buy this product

- Universal P1-UEG... PCBs are available for laboratory samples and small series
- Cost-effective series production, since the base element and the assembled PCB are soldered by machine
- Can be snapped onto standard NS 35/7,5 and NS 35/15 DIN rails
- Installation of one or two PCBs in the housing
- Up to 16 connections on two levels
- Efficient assembly thanks to overlapping housing parts



## Key commercial data

Packing unit	1
Minimum order quantity	10
Catalog page	Page 584 (CC-2011)
GTIN	 4 017918 072292
Custom tariff number	85369010
Country of origin	GERMANY

## Technical data

### General

Housing type	Complete housing
Housing material	Polyamide (PA 6.6)
Color	green

### Dimensions / positions

Length	79.5 mm
Constructional height	70 mm
Width	20 mm
Number of positions	8
Pitch	5 mm

# Electronic housing - UEG 20 - 2790211

## Technical data

### Technical data

Ambient temperature (operation)	-40 °C ... 105 °C
Inflammability class according to UL 94	V0
Power dissipation at 20°C in the horizontal mounting position	4 W 6 W

### Connection data

Conductor cross section solid min.	0.2 mm <sup>2</sup>
Conductor cross section solid max.	4 mm <sup>2</sup>
Conductor cross section stranded min.	0.2 mm <sup>2</sup>
Conductor cross section stranded max.	2.5 mm <sup>2</sup>
Conductor cross section AWG/kcmil min.	24
Conductor cross section AWG/kcmil max	12
Stripping length	8 mm

## Classifications

### ETIM

ETIM 2.0	EC001031
ETIM 3.0	EC001031
ETIM 4.0	EC001031
ETIM 5.0	EC001031

### UNSPSC

UNSPSC 11	31261501
UNSPSC 12.01	31261501
UNSPSC 13.2	31261501
UNSPSC 6.01	31261501
UNSPSC 7.0901	31261501

### eCl@ss

eCl@ss 4.0	27180401
eCl@ss 4.1	27180401
eCl@ss 5.0	27180506
eCl@ss 5.1	27180506
eCl@ss 6.0	27180802
eCl@ss 7.0	27182702

## Approvals

### Approvals

#### Approvals

UL Recognized / GOST / GOST

# Electronic housing - UEG 20 - 2790211

## Approvals

Ex Approvals

---

Approvals submitted

---

### Approval details



## Accessories

Accessories

Bridges

Wire bridge - DB 50- 90 GY - 2820929

Wire bridge, Color: gray

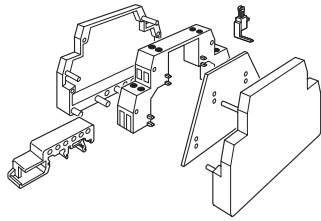


---

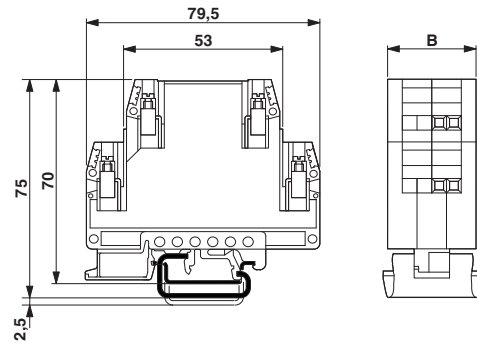
## Drawings

# Electronic housing - UEG 20 - 2790211

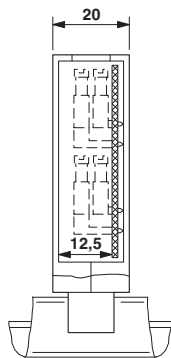
Explosion drawing



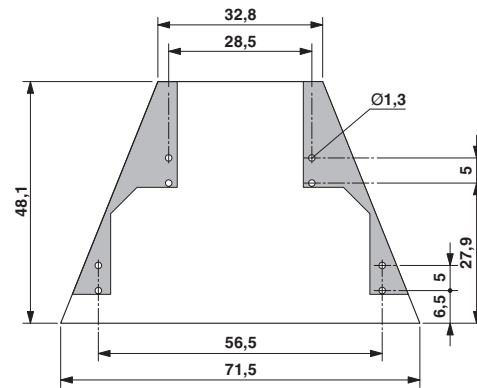
Dimensioned drawing



Dimensioned drawing



Dimensioned drawing



UEG 20 with 1 PCB, up to max. 8 pos.

Schematic diagram

