



Chipsmall Limited consists of a professional team with an average of over 10 year of expertise in the distribution of electronic components. Based in Hongkong, we have already established firm and mutual-benefit business relationships with customers from,Europe,America and south Asia,supplying obsolete and hard-to-find components to meet their specific needs.

With the principle of “Quality Parts,Customers Priority,Honest Operation,and Considerate Service”,our business mainly focus on the distribution of electronic components. Line cards we deal with include Microchip,ALPS,ROHM,Xilinx,Pulse,ON,Everlight and Freescale. Main products comprise IC,Modules,Potentiometer,IC Socket,Relay,Connector.Our parts cover such applications as commercial,industrial, and automotives areas.

We are looking forward to setting up business relationship with you and hope to provide you with the best service and solution. Let us make a better world for our industry!



## Contact us

Tel: +86-755-8981 8866 Fax: +86-755-8427 6832

Email & Skype: info@chipsmall.com Web: www.chipsmall.com

Address: A1208, Overseas Decoration Building, #122 Zhenhua RD., Futian, Shenzhen, China




## UEGM 22,5 BK OHNE LOGO

Order No.: 2792882

<http://eshop.phoenixcontact.de/phoenix/treeViewClick.do?UID=2792882>

Electronic housing, for PCB insertion, fully equipped with 3 screw or 6  
tab connections per side

### Commercial data

GTIN (EAN)	 4 017918 243050
Note	Made-to-order
sales group	F019
Pack	10 pcs.
Customs tariff	85369010

### Product notes

WEEE/RoHS-compliant since:  
01/01/2003



[http://  
www.download.phoenixcontact.com](http://www.download.phoenixcontact.com)  
Please note that the data given  
here has been taken from the  
online catalog. For comprehensive  
information and data, please refer  
to the user documentation. The  
General Terms and Conditions of  
Use apply to Internet downloads.

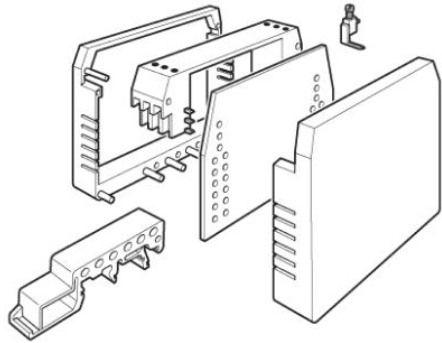
### Accessories

Item	Designation	Description
<b>Bridges</b>		
2820916	DB 50- 90 BK	Wire bridge, Color: black
2820929	DB 50- 90 GY	Wire bridge, Color: gray

## Diagrams/Drawings

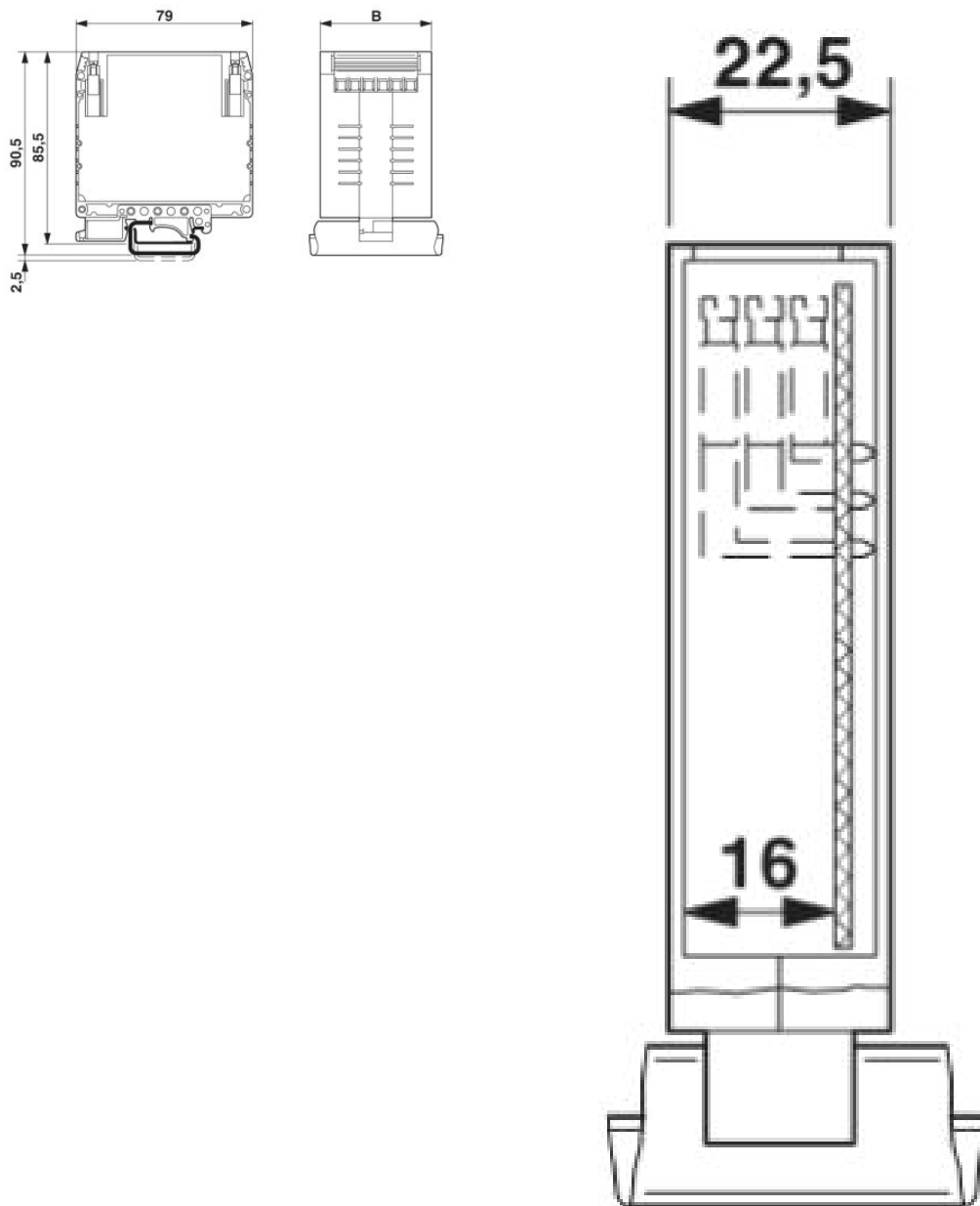
Explosion drawing

---

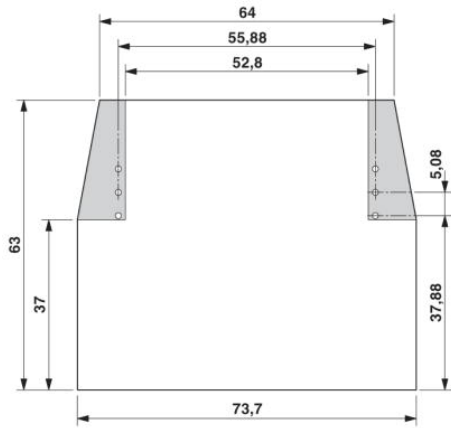


Dimensioned drawing

---

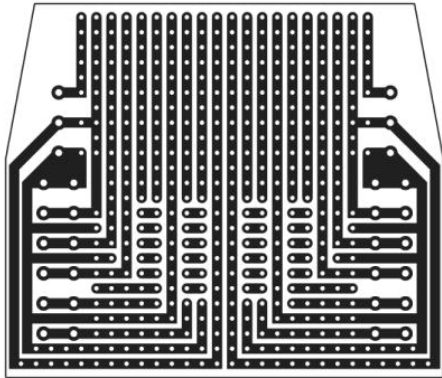


UEGM 22,5... with 1 PCB, 6 positions or  
12 positions (FS/FS)



Schematic diagram

---



**Address**

PHOENIX CONTACT Deutschland GmbH  
Flachmarktstr. 8  
32825 Blomberg, Germany  
Phone +49 5235 3 12000  
Fax +49 5235 3 41200  
<http://www.phoenixcontact.de>



© 2011 Phoenix Contact  
Technical modifications reserved;