



Chipsmall Limited consists of a professional team with an average of over 10 year of expertise in the distribution of electronic components. Based in Hongkong, we have already established firm and mutual-benefit business relationships with customers from,Europe,America and south Asia,supplying obsolete and hard-to-find components to meet their specific needs.

With the principle of "Quality Parts,Customers Priority,Honest Operation,and Considerate Service",our business mainly focus on the distribution of electronic components. Line cards we deal with include Microchip,ALPS,ROHM,Xilinx,Pulse,ON,Everlight and Freescale. Main products comprise IC,Modules,Potentiometer,IC Socket,Relay,Connector.Our parts cover such applications as commercial,industrial, and automotives areas.

We are looking forward to setting up business relationship with you and hope to provide you with the best service and solution. Let us make a better world for our industry!



Contact us

Tel: +86-755-8981 8866 Fax: +86-755-8427 6832

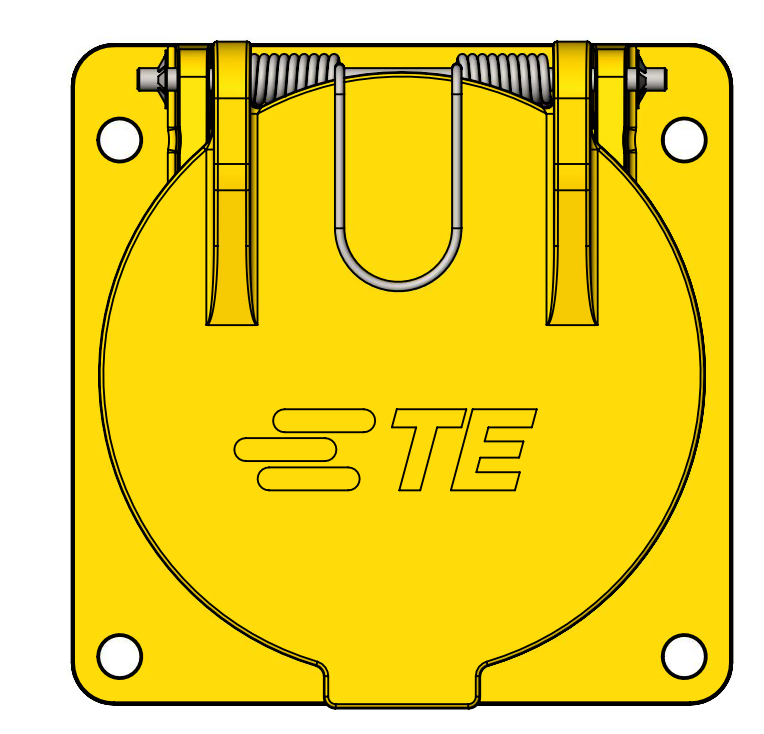
Email & Skype: info@chipsmall.com Web: www.chipsmall.com

Address: A1208, Overseas Decoration Building, #122 Zhenhua RD., Futian, Shenzhen, China

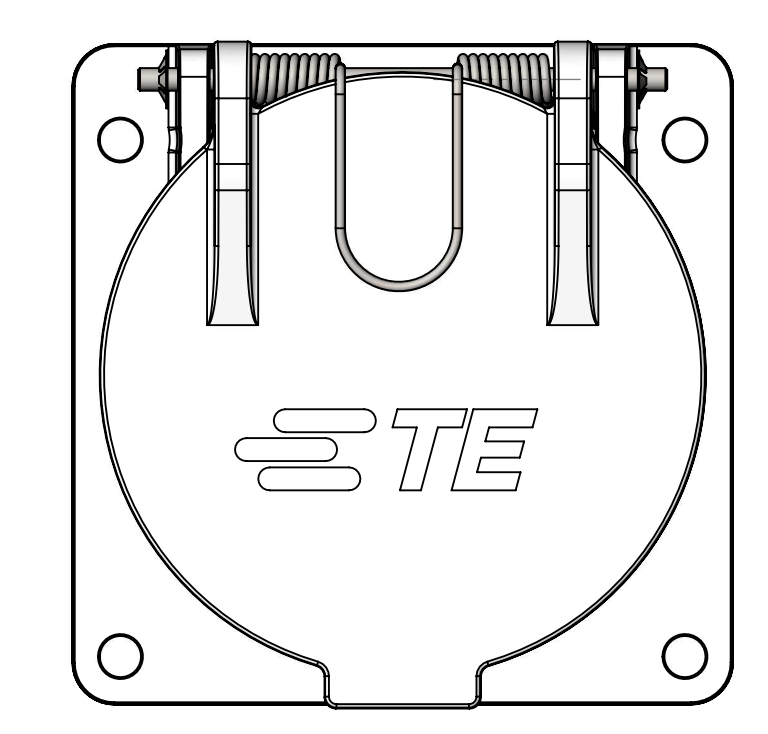


Project NR		REVISIONS			
P	LTW	DESCRIPTION	DATE	BY	APPV
C		Diffusion N°331170	27.JUL.2015	MB	MV
D		Add note 9, 10 and 11 - Add note 9 Diffusion 231242	28.FEB.2016	MB	MV
E		Add note 10 + update product spec & application spec - Diffusion 331242	20.FEB.2016	EL	MV

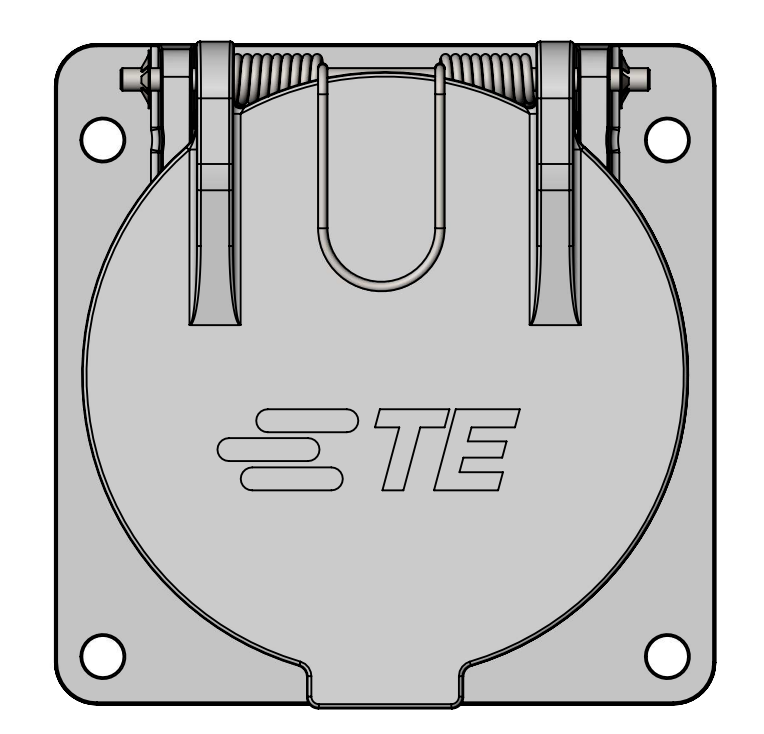
Référence commerciale / Commercial reference
 27P-DUM-Y (color yellow)



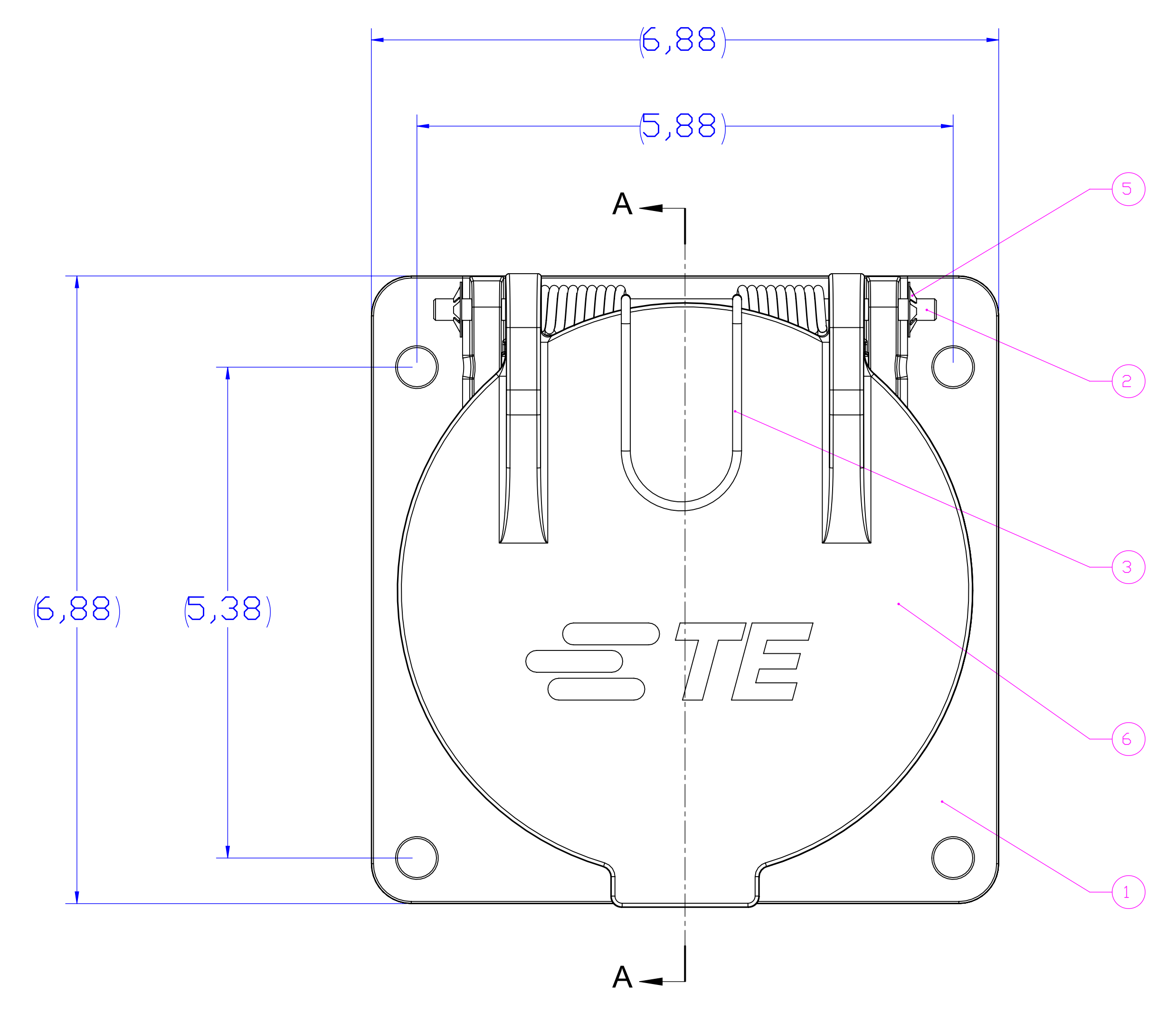
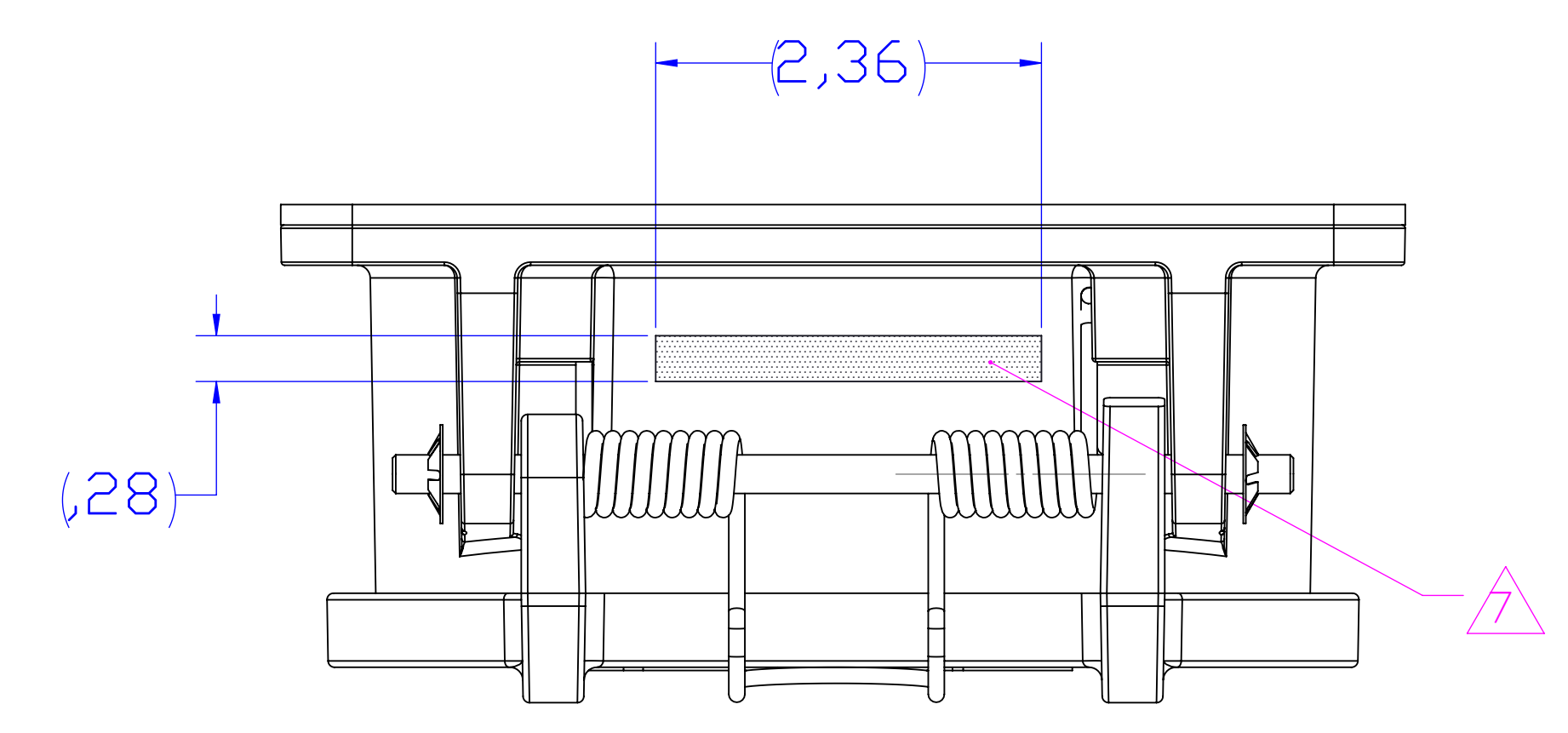
Référence commerciale / Commercial reference
 27P-DUM-W (color white)



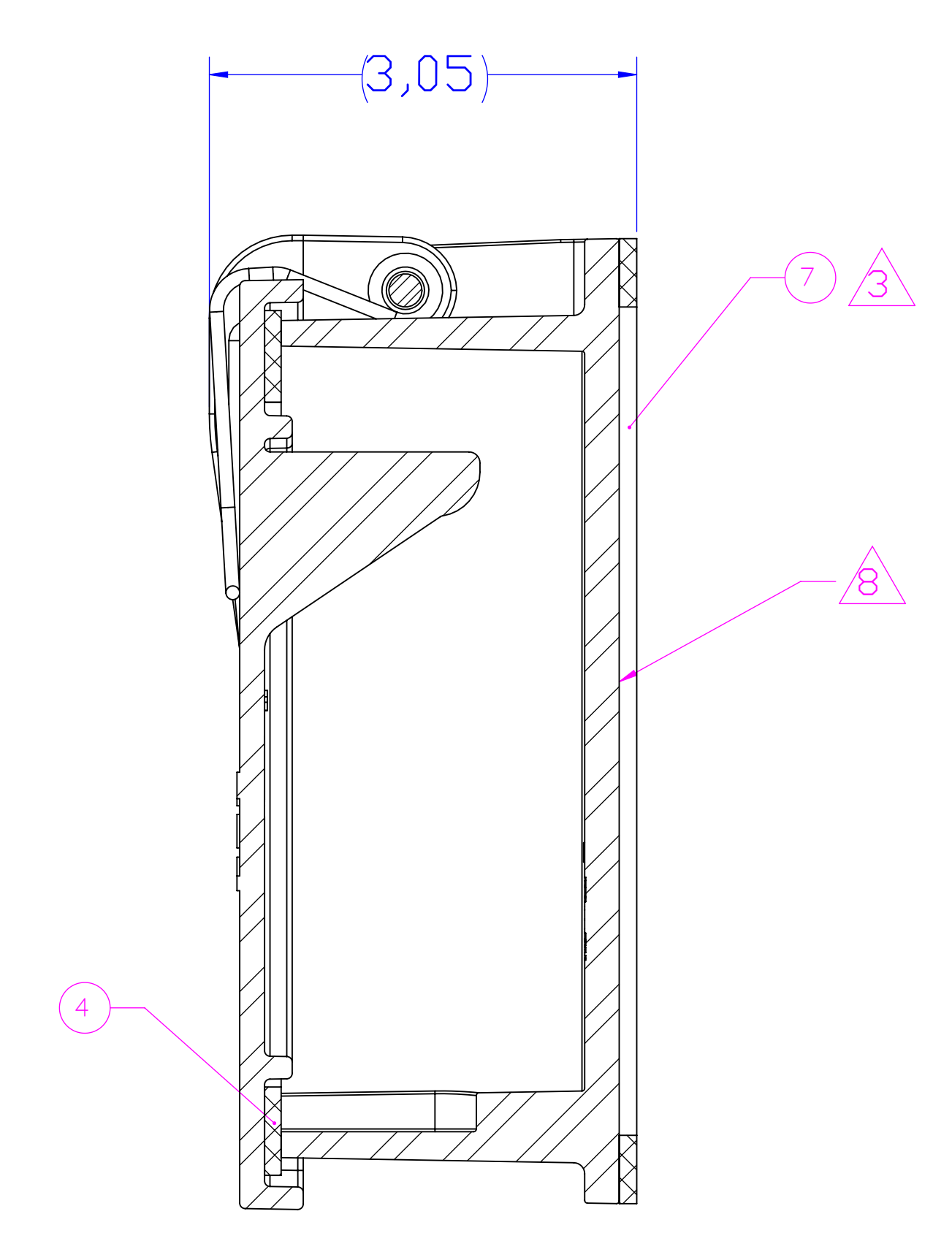
Référence commerciale / Commercial reference
 27P-DUM-0-01 (without color)



- 1 () : cotes pour information / dimensions for information
- 1 () : cotes de controle / inspection dimensions
- 2 () Instructions de mise en oeuvre à appliquer par le client
 Customer instructions to be applied by the customer
- ⚠ Receptacle gasket is sold tied on the receptacle
- ⚠ Yellow paint
- ⚠ White paint
- 6 Work instruction according to 118-157000-3
- ⚠ Laser marking :
 TE + Commercial reference + Year-Week
- ⚠ Dummy receptacle completely enclosed
- ⚠ A label with the commercial reference and the complete BOM is glued on the cardboard
- 10 Standards :
 AAR 5-51E, APTA RP-E-019-99
- 11 Packaging Specification 107-157003



A-A VIEW



Référence BE Engineering reference		Commercial reference														
VE-UC-211944A-0000	VE-UC-211944B-0000	27P-DUM-0-01	27P-DUM-W	27P-DUM-Y												
X	X	X					Paper	5,00	1	YSPEC-408-157000-3	Mounting instruction	11				
X	X	X						1,50	1	0206-0329AS	Dehydrating bag	10				
X	X	X					Plastic	0,50	2	0158-0001-X	Collar	9				
X	X	X					Carton	60,00	1	0206-0155AS	Box	8				
X	X	X					FMEL 31015				Neoprene	52,30	1	YA-UC-211297A-VN00	Gasket	7
		X					FMME 4010	Cr3 conversion	Aluminium	376,80	1	YG-UC-211287A-JG08	Cover	6		
		X					FMME 4010	Cr3 conversion	Aluminium	376,80	1	YG-UC-211287A-JG07	Cover	6		
X							FMME 4010	Cr3 conversion	Aluminium	376,80	1	YG-UC-211287A-JG8E	Cover	6		
X	X	X							Stainless steel	0,17	2	Y0000000-7105-06-I	Self locking ring	5		
X	X	X					FMEL 31016		Neoprene	14,29	1	1504-0019A4	Gasket	4		
X	X	X					FMME 3034		Stainless steel	3,56	1	1504-0005A4	Spring	3		
X	X	X					FMME 3017		Stainless steel	3,95	1	1504-0018A4	Axis	2		
		X					FMME 4010	Cr3 conversion	Aluminium	965,15	1	YG-UC-211317A-JG08	Dummy receptacle	1		
		X					FMME 4010	Cr3 conversion	Aluminium	965,15	1	YG-UC-211317A-JG07	Dummy receptacle	1		
X							FMME 4010	Cr3 conversion	Aluminium	965,15	1	YG-UC-211317A-JG8E	Dummy receptacle	1		
							Remarks	Data sheet	Plating	Material	Weight (g)	Qty	Part number	Designation	Item	

Référence commerciale / Commercial reference : see table

See table
PART NO

THIS DRAWING IS A CONTROLLED DOCUMENT. 27.JUL.2015

DESIGNED BY: R. BONNIN
 DRAWN BY: J.F. GALIPAUD
 CHECKED BY: R. VIMARD

PRODUCT SPEC: 108-157001
 APPLICATION SPEC: 408-157000-3

WEIGHT: 3122 lb

CUSTOMER DRAWING

SCALE: 1:1

SHEET 1 OF 1

RESTRICTED TO

STE TE Connectivity

Boîte de repos
 Dummy receptacle

AC - E1894-211944