



Chipsmall Limited consists of a professional team with an average of over 10 year of expertise in the distribution of electronic components. Based in Hongkong, we have already established firm and mutual-benefit business relationships with customers from,Europe,America and south Asia,supplying obsolete and hard-to-find components to meet their specific needs.

With the principle of "Quality Parts,Customers Priority,Honest Operation,and Considerate Service",our business mainly focus on the distribution of electronic components. Line cards we deal with include Microchip,ALPS,ROHM,Xilinx,Pulse,ON,Everlight and Freescale. Main products comprise IC,Modules,Potentiometer,IC Socket,Relay,Connector.Our parts cover such applications as commercial,industrial, and automotives areas.

We are looking forward to setting up business relationship with you and hope to provide you with the best service and solution. Let us make a better world for our industry!



Contact us

Tel: +86-755-8981 8866 Fax: +86-755-8427 6832

Email & Skype: info@chipsmall.com Web: www.chipsmall.com

Address: A1208, Overseas Decoration Building, #122 Zhenhua RD., Futian, Shenzhen, China



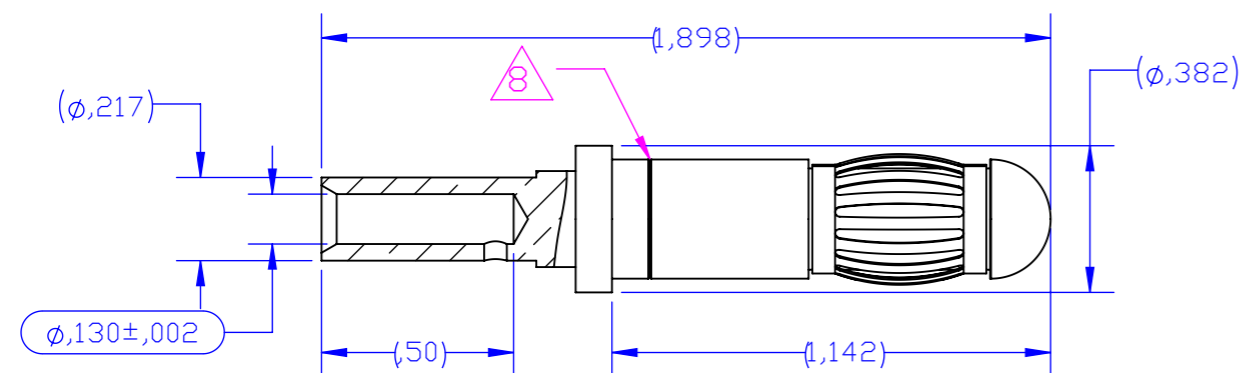
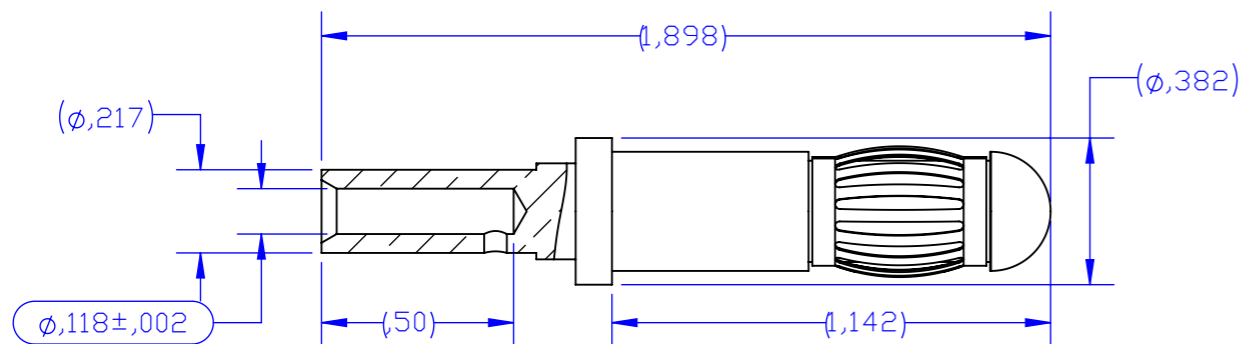
RELEASED FOR PUBLICATION
ALL RIGHTS RESERVED.

© COPYRIGHT 20 BY

Project NR
PRJ-14-00003352

REVISIONS

P	LTR	DESCRIPTION	DATE	DWN	APVD
	B	Diffusion N°331170	20JUL2015	MB	MV
	C	Change dimension and tolerances Diffusion N°331764	01JUN2016	MB	MV
	D	Update quantity item 1 & 2 + Add item 3 + Add product & application spec - Diffusion 331914	19SEP2016	EL	MV



- 1 () : cotes pour information / dimensions for information
- 1 () : cotes de controle / inspection dimensions

2 Instructions de mise en oeuvre à appliquer par le client
Customer instructions to be applied by the customer

- 3 Standards : AAR S-512, APTA RP-E-019-99
- 4 Catalog number : 27P-KITCON-24P12-3P10

- 5 Crimping tools : DANIELS CRIMPING HAND CRIMPER HX4 WITH Y543 DIES or DANIELS PNEUMATIC CRIMPER HX23 WITH Y543 DIES

6 Cable sheath stripping lenght = ,54

7 Contacts packed in a labeled bag : 27P-KITCON-24P12-3P10

- 8 Groove on contacts AWG10 only
- 9 Ref. YS-UC-211946A-AA1A (item2) is a KIT with 3 contacts
- 10 Ref. YS-UC-211945A-AA1A (item1) is a KIT with 24 contacts

11 Packaging Specification 107-157003

-	-	-	Plastique Plastic	0,2	1	Y0000000000-EMB031	Sachet plastique Plastic bag	3
-		Argenture Silver plating	Laiton Brass	43.14	1	YS-UC-211946A-AA1A	Kit de 3 broches mâle AWG 10 Kit with 3 Male contacts 10 AWG	2
-		Argenture Silver plating	Laiton Brass	349.15	1	YS-UC-211945A-AA1A	Kit de 24 Broches mâle 12 et 14 AWG Kit with 24 Male contactst AWG 12 and 14	1
Observations Remarks	Protection Plating	Fiche matière Data sheet	Matière Material	Masse (g) Weight (g)	Nbr Qty	Codification Part number	Désignation Designation	REP Item

Référence commerciale / commerciale reference : 27P-KITCON-24P12-3P10

YS-UC-212124A-0000
PART NO

THIS DRAWING IS A CONTROLLED DOCUMENT.		DWN M.BONNIN 20JUL2015	TE Connectivity	
DIMENSIONS: inch		CHK JF.GALIPAUD 20JUL2015		
TOLERANCES UNLESS OTHERWISE SPECIFIED:		APVD M.VIMARD 20JUL2015		
		PRODUCT SPEC 108-157001	NAME S/A Contacts kit for receptacle	
MATERIAL BRASS		FINISH SILVER PLATING	APPLICATION SPEC 408-157000-1	RESTRICTED TO
		WEIGHT 0.858 pound	SIZE A3	CAGE CODE C=S1894-212124
CUSTOMER DRAWING			SCALE 2:1	SHEET 1 OF 1
			REV D	