



Chipsmall Limited consists of a professional team with an average of over 10 year of expertise in the distribution of electronic components. Based in Hongkong, we have already established firm and mutual-benefit business relationships with customers from,Europe,America and south Asia,supplying obsolete and hard-to-find components to meet their specific needs.

With the principle of “Quality Parts,Customers Priority,Honest Operation,and Considerate Service”,our business mainly focus on the distribution of electronic components. Line cards we deal with include Microchip,ALPS,ROHM,Xilinx,Pulse,ON,Everlight and Freescale. Main products comprise IC,Modules,Potentiometer,IC Socket,Relay,Connector.Our parts cover such applications as commercial,industrial, and automotives areas.

We are looking forward to setting up business relationship with you and hope to provide you with the best service and solution. Let us make a better world for our industry!



Contact us

Tel: +86-755-8981 8866 Fax: +86-755-8427 6832

Email & Skype: info@chipsmall.com Web: www.chipsmall.com

Address: A1208, Overseas Decoration Building, #122 Zhenhua RD., Futian, Shenzhen, China



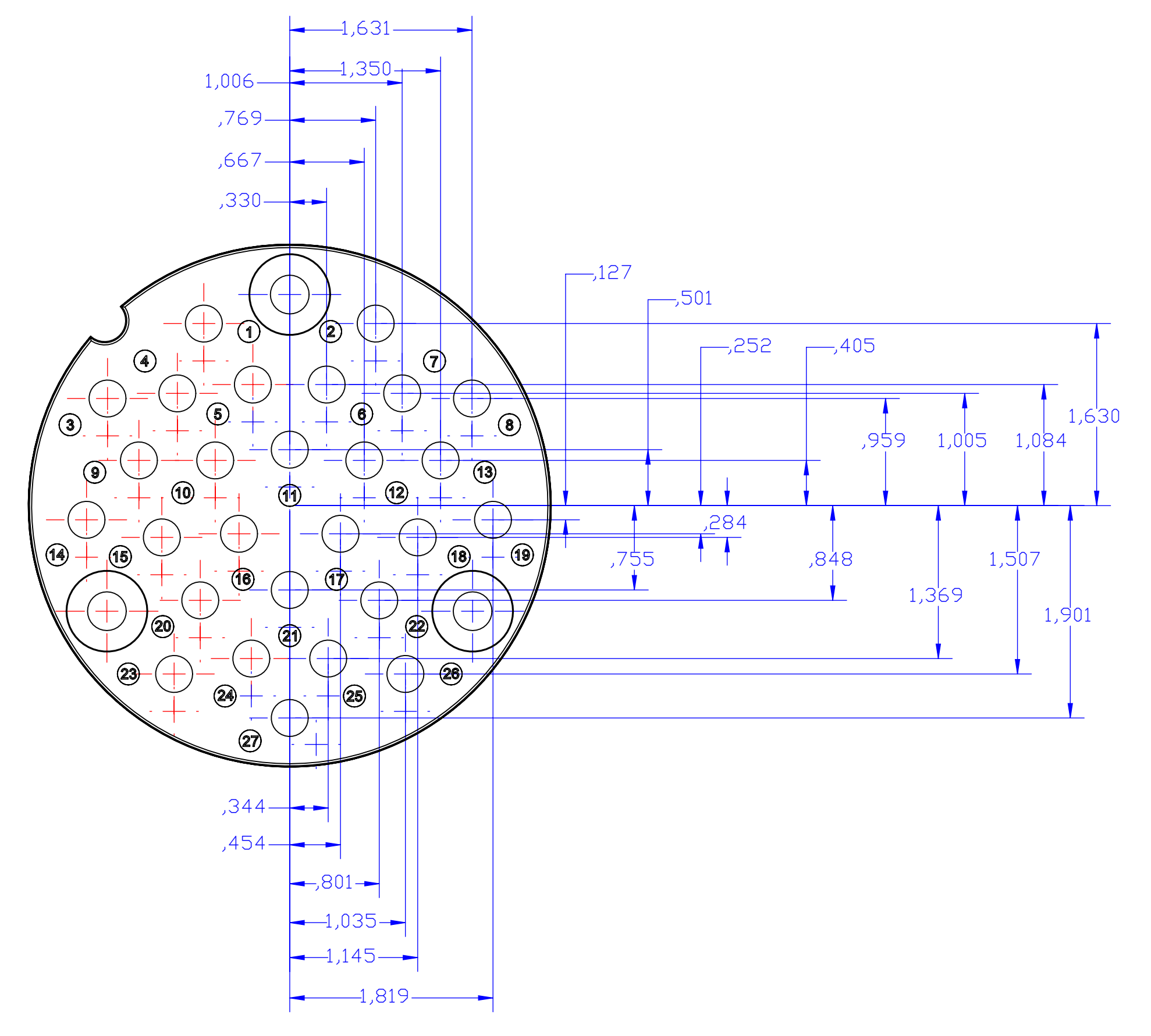
Vue isométrique - Echelle 1:2
Isometric view - Scale 1:2



Vue isométrique - Echelle 1:2
Isometric view - Scale 1:2

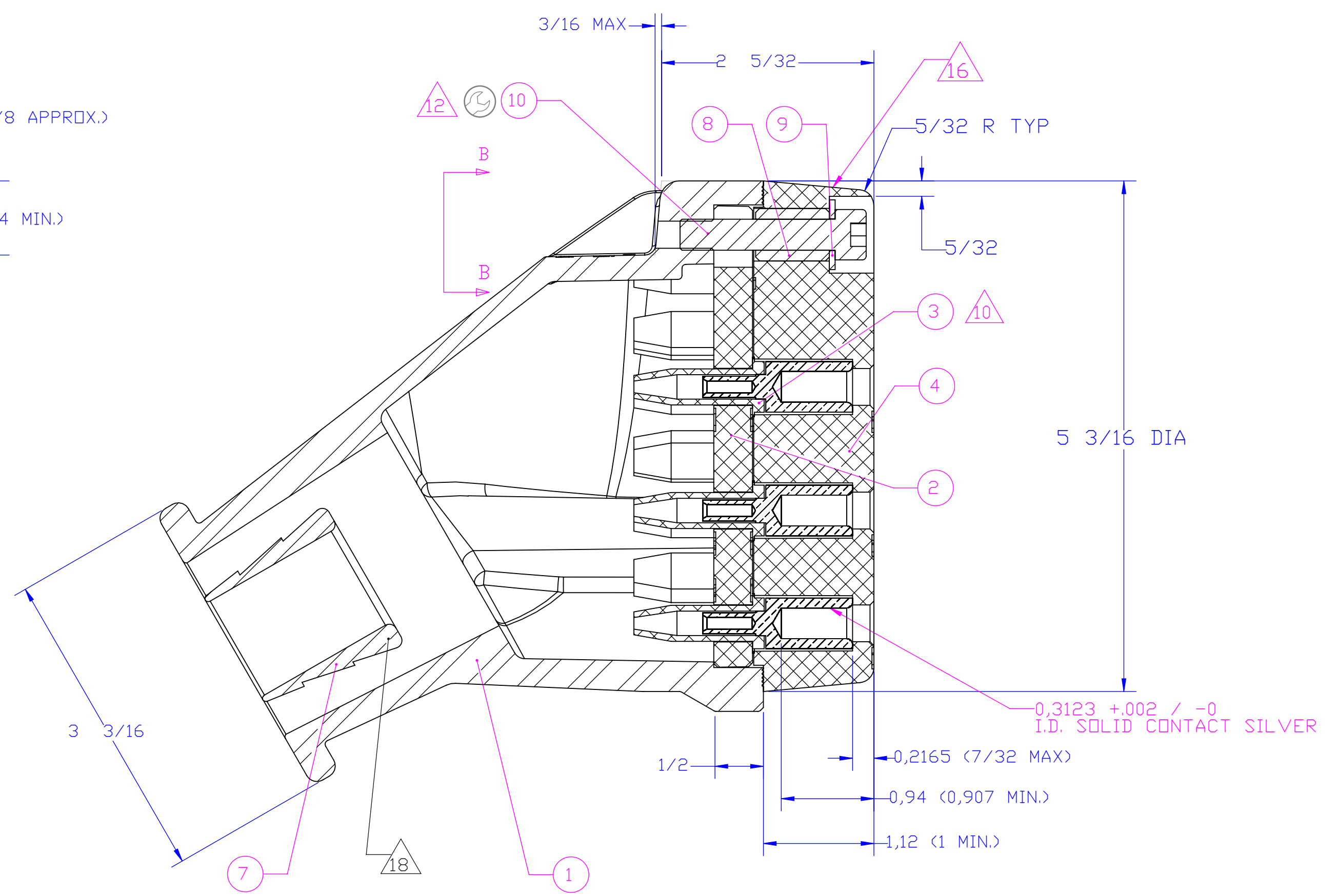
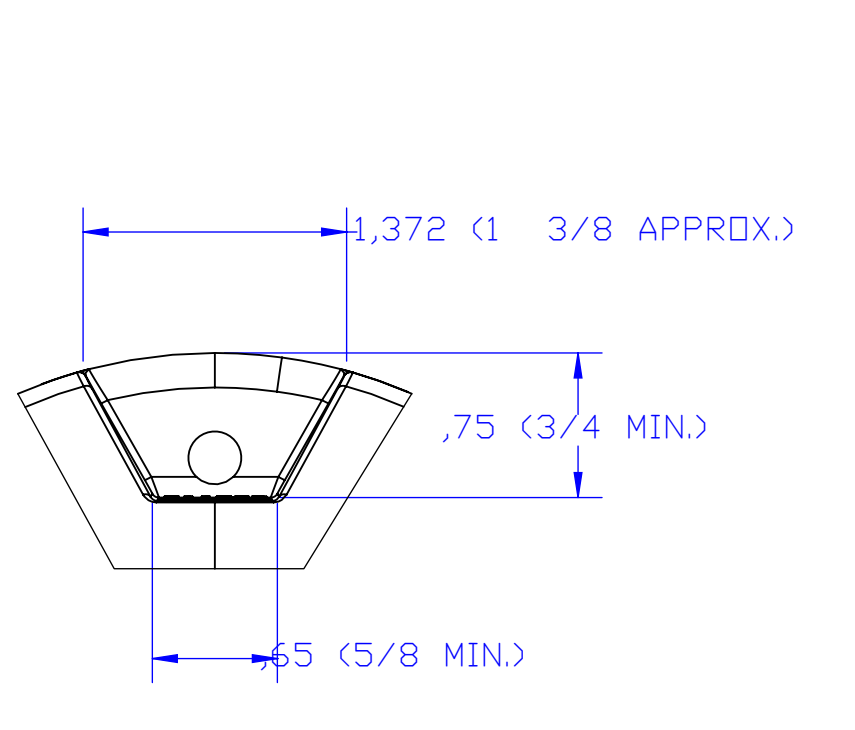


INSULATOR VIEW
SCALE 1:1

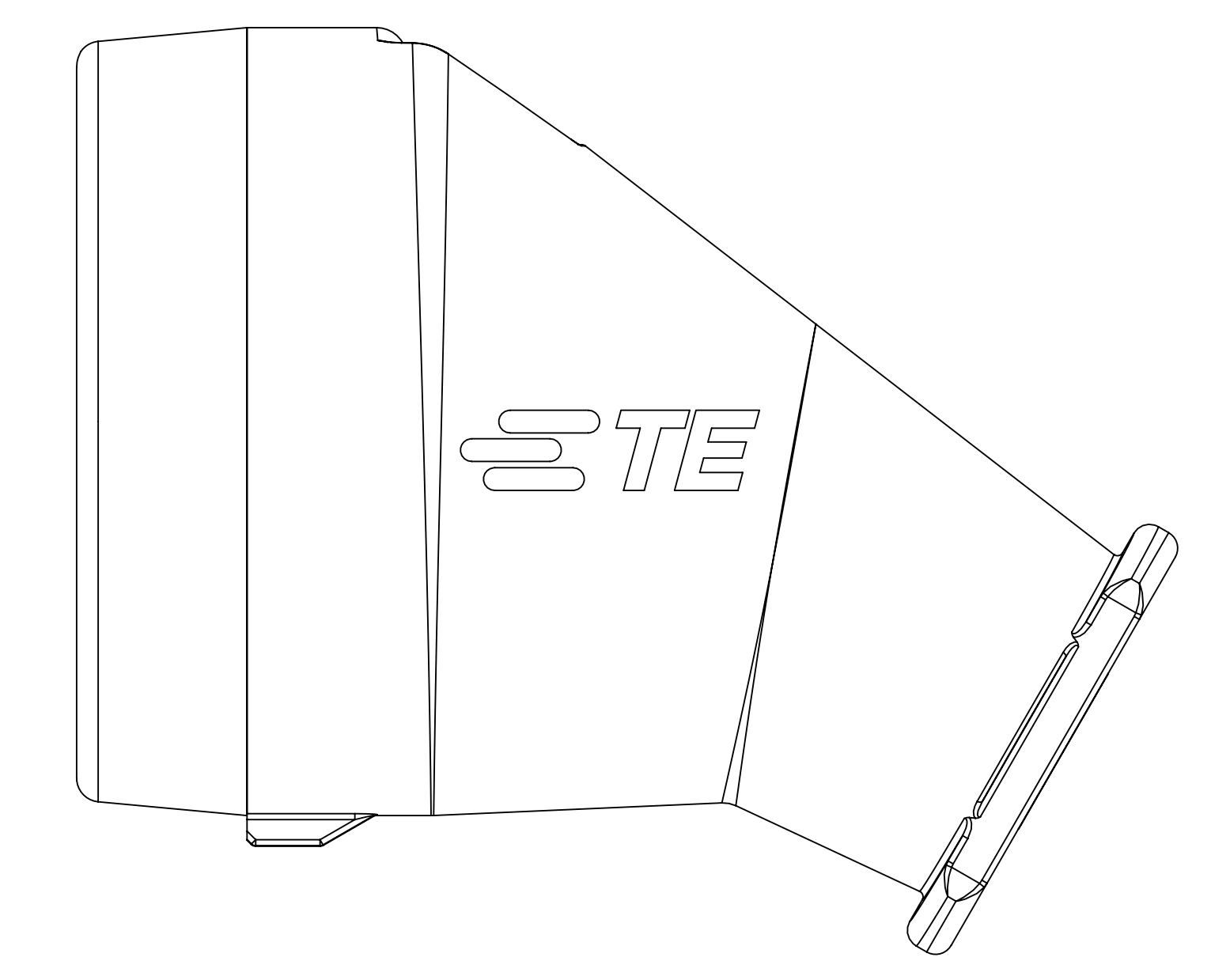
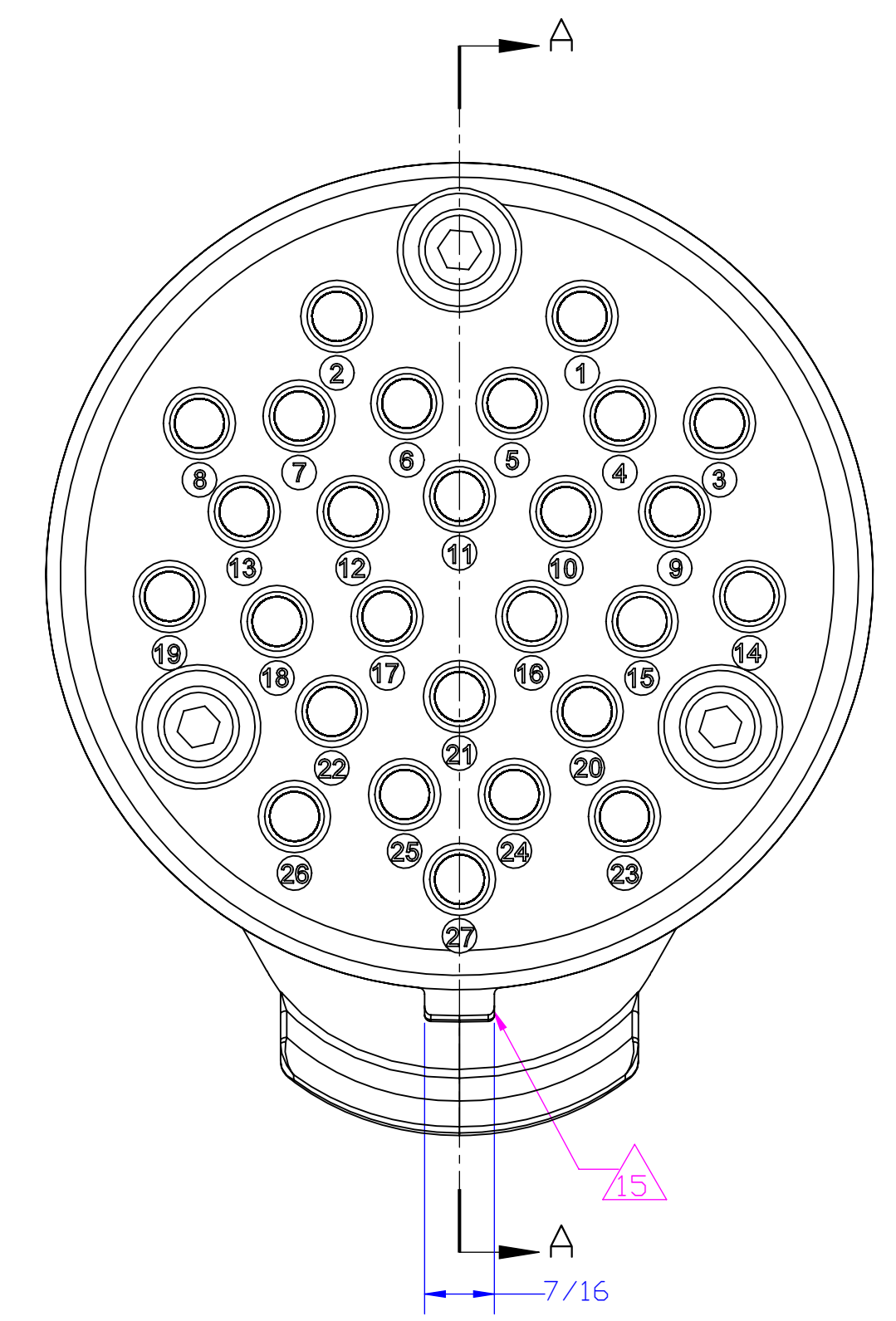
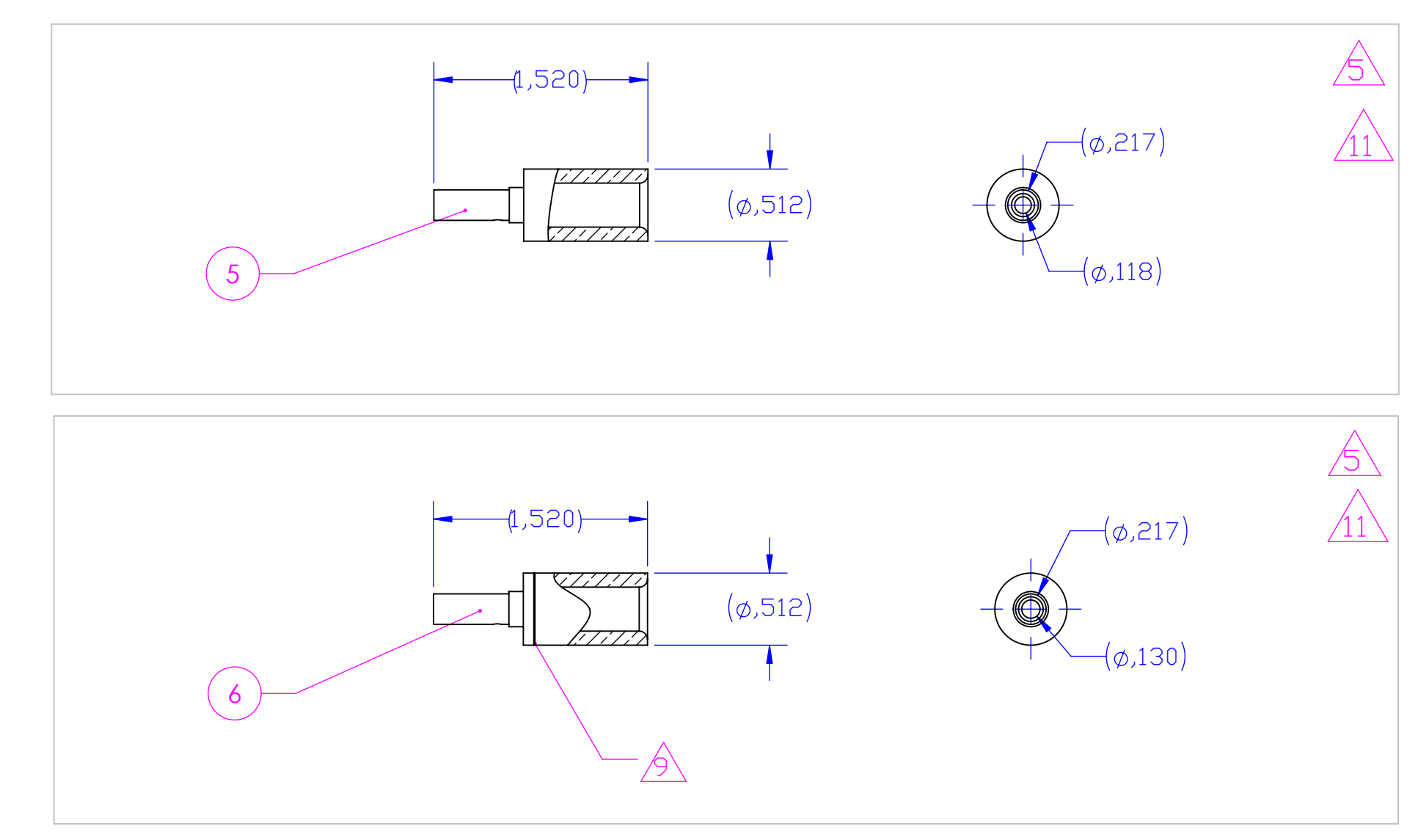
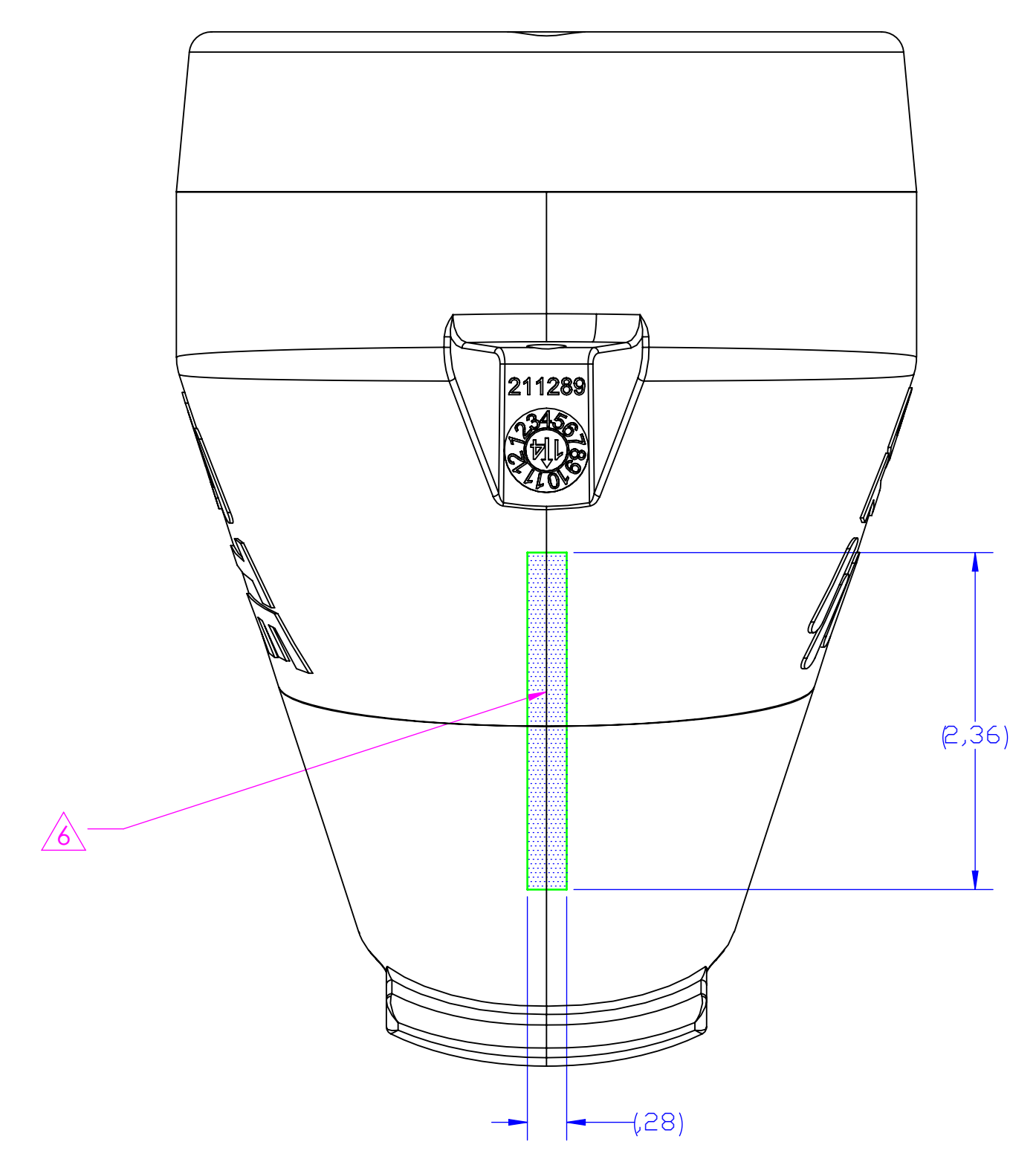


A-A VIEW

B-B VIEW



Item	Material	Weight (g)	Qty	Part number	Designation	Item		
	Paper	5	1	YSPEC-408-157000-2	Mounting instruction	12		
		1,5	1	0206-0329AS	Dehydrating bag	12		
	Carton	60	1	Y00000-0206-0217AS	Carton box	11		
	Stainless steel	23,2	3	CHCM08x40-1	Screw CHC	10		
	Stainless steel	2,56	3	MU-08-1	Plain washer	9		
	FMME 3017	Stainless steel	1,72	1504-0030U4	Spacer	8		
	FMME 4016	Aluminium	15,26	YA-UC-212590A-JQ00	Clamping cone	7		
	Silver plating	FMME 1001	Brass	58,74	1	YS-UC-212601A-AA1A	KIT with 3 female contacts 10 AWG	6
	Silver plating	FMME 1001	Brass	473,57	1	YS-UC-212602A-AA1A	KIT with 24 female contacts 12 and 14 AWG	5
	FMEL 31017	Neoprene	258,63	YK-UC-211288A-YU00	Female insert	4		
	FMEL 31016	Neoprene	1,4	1504-0008A4	Sleeve	3		
	FTMP 651	Polycarbonate	124,8	YK-UC-211276A-QK00	Mixed insulator	2		
	Cr-3 conversion	FMME 4010	Aluminium	1037,57	1	YF-UC-211290A-JG7A	Plug body - position 0	1
Remarks	Plating	Data sheet	Material	Weight (g)	Qty	Part number	Designation	Item



Project NR	REVISIONS	DATE	BY	APPV
PRJ-14-00003352	B Diffusion N°331170	28.JUL.2015	MB	MV
	C	10.APR.2016	MB	MV
	D	01.SEP.2016	EL	MV

- () : cotes pour information / dimensions for information
: cotes de controle / inspection dimensions
- () Instructions de mise en oeuvre à appliquer par le client
Customer instructions to be applied by the customer

- ⚠ Ref. YS-UC-212601A-AA1A is a KIT with 3 contacts AWG10
- ⚠ Ref. YS-UC-212602A-AA1A is a KIT with 24 contacts AWG12/14
- ⚠ Laser marking :
TE + Commercial reference + Year-Week
- ⚠ Black paint
- 8 Work instruction according to 118-157000-2
- ⚠ Groove made to differentiate contacts
- ⚠ Sleeves packaging separately and identified
- ⚠ Daniels manual crimping tool :
- Hand crimper HX4
- Die Y543
- ⚠ Daniels pneumatic crimping tool :
- Pneumatic pump HX23
- Die Y543
- ⚠ Tightening torque = 10Nm
- ⚠ A label with the commercial reference and the complete BOM is glued on the cardbox
- Standards :
14 AAR 5-512, APTA RP-E-019-99
- ⚠ Key
- ⚠ DRAFT ANGLE
- 17 Packaging Specification 107-157003
- ⚠ Clamping cone Rep 7 suitable with hose acc. to APTA RP-E-RP-019-99 and AAR 5512 definition, 1 1/4inch in i.D. and 1 23/32 in O.D. (eg. PARKER ref. GST II BLACK 15 BAR 32x45)

Référence commerciale / Commercial reference : 27P-PLU-1-01

THIS DRAWING IS A CONTROLLED DOCUMENT.

DESIGNED BY	R. BOUJIN	28 JUL 2015
CHECKED BY	J.F. GALIPAUD	28 JUL 2015
APPROVED BY	M. VIMARD	28 JUL 2015

PRODUCT SPEC: 108-157000

APPLICATION SPEC: 408-157000-2

WEIGHT: 4.480 pound

CUSTOMER DRAWING

SCALE: 1:1

SHEET: 1 OF 1

REV: 0

STE TE Connectivity

MU PLUG CONTROL

AC

©E1894-212075