



Chipsmall Limited consists of a professional team with an average of over 10 year of expertise in the distribution of electronic components. Based in Hongkong, we have already established firm and mutual-benefit business relationships with customers from,Europe,America and south Asia,supplying obsolete and hard-to-find components to meet their specific needs.

With the principle of “Quality Parts,Customers Priority,Honest Operation,and Considerate Service”,our business mainly focus on the distribution of electronic components. Line cards we deal with include Microchip,ALPS,ROHM,Xilinx,Pulse,ON,Everlight and Freescale. Main products comprise IC,Modules,Potentiometer,IC Socket,Relay,Connector.Our parts cover such applications as commercial,industrial, and automotives areas.

We are looking forward to setting up business relationship with you and hope to provide you with the best service and solution. Let us make a better world for our industry!



Contact us

Tel: +86-755-8981 8866 Fax: +86-755-8427 6832

Email & Skype: info@chipsmall.com Web: www.chipsmall.com

Address: A1208, Overseas Decoration Building, #122 Zhenhua RD., Futian, Shenzhen, China



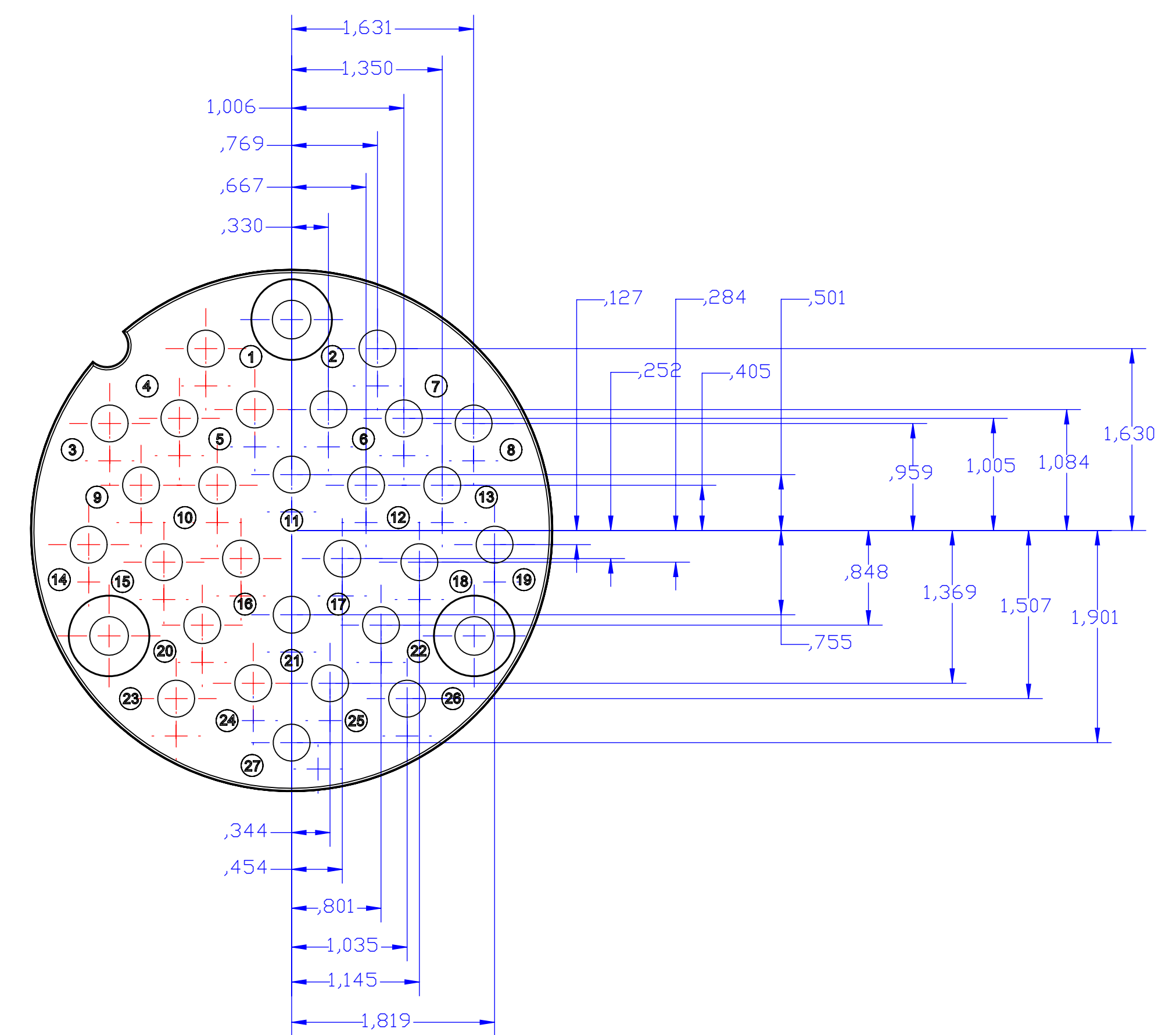
Vue isométrique - Echelle 1/2
Isometric view - Scale 1/2



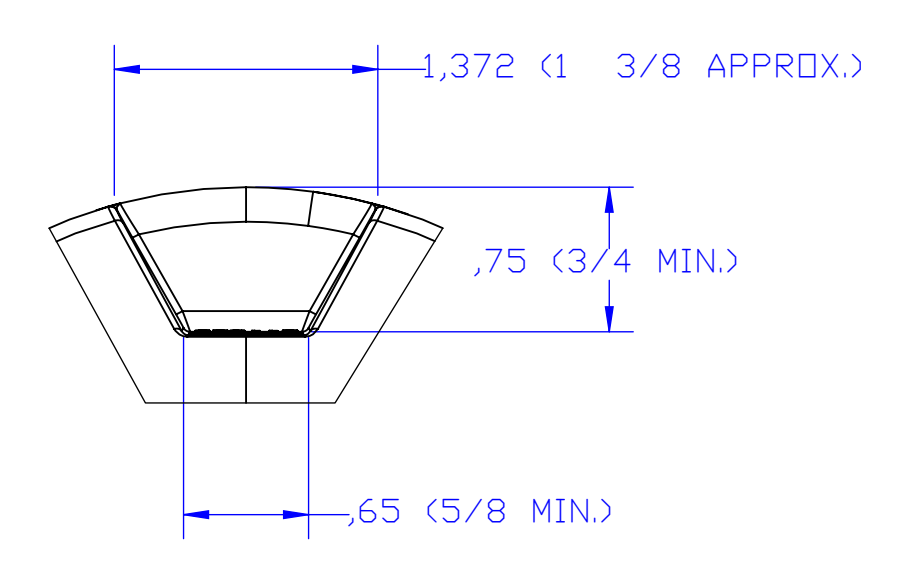
Vue isométrique - Echelle 1/2
Isometric view - Scale 1/2



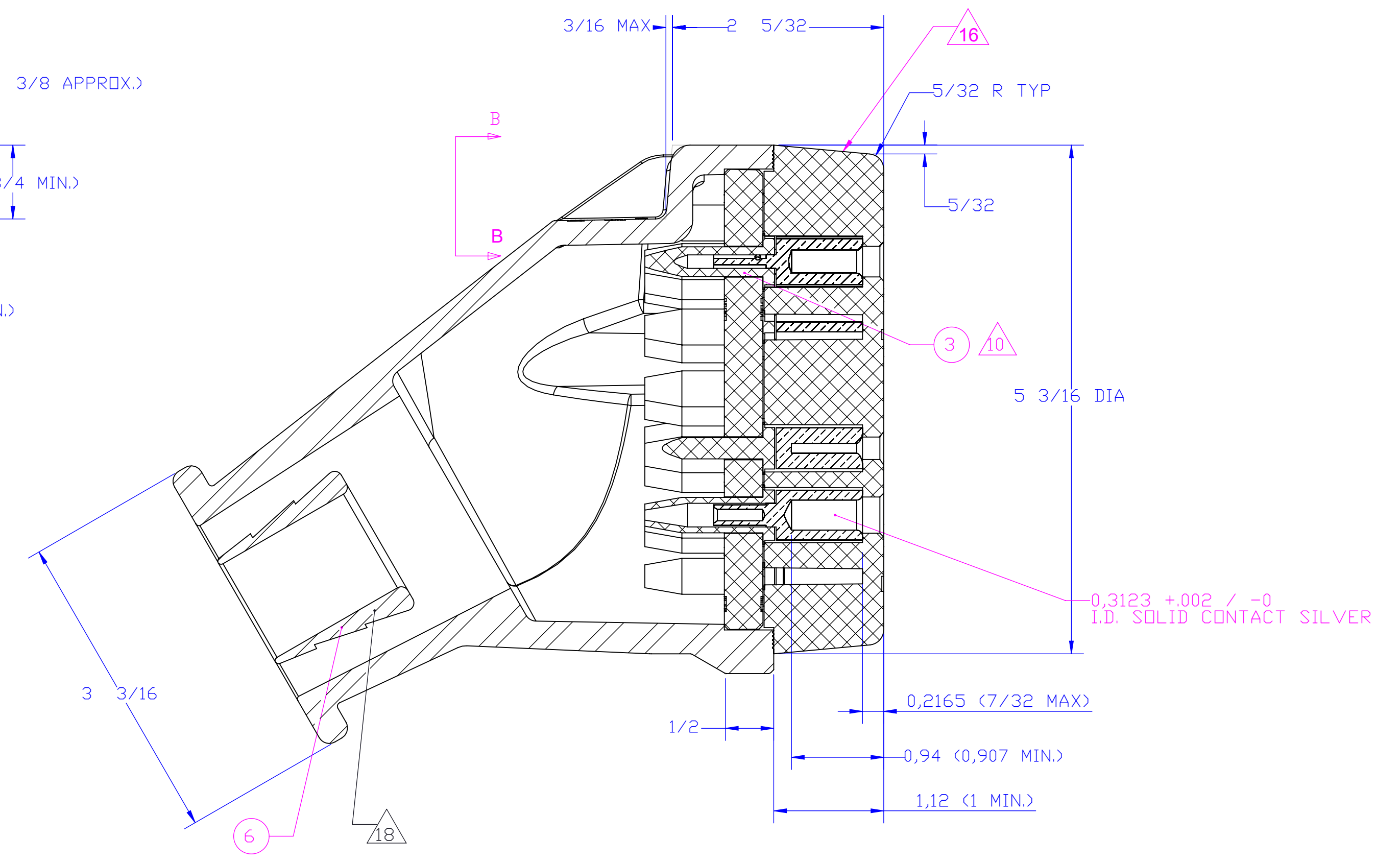
INSULATOR VIEW
SCALE 1:1



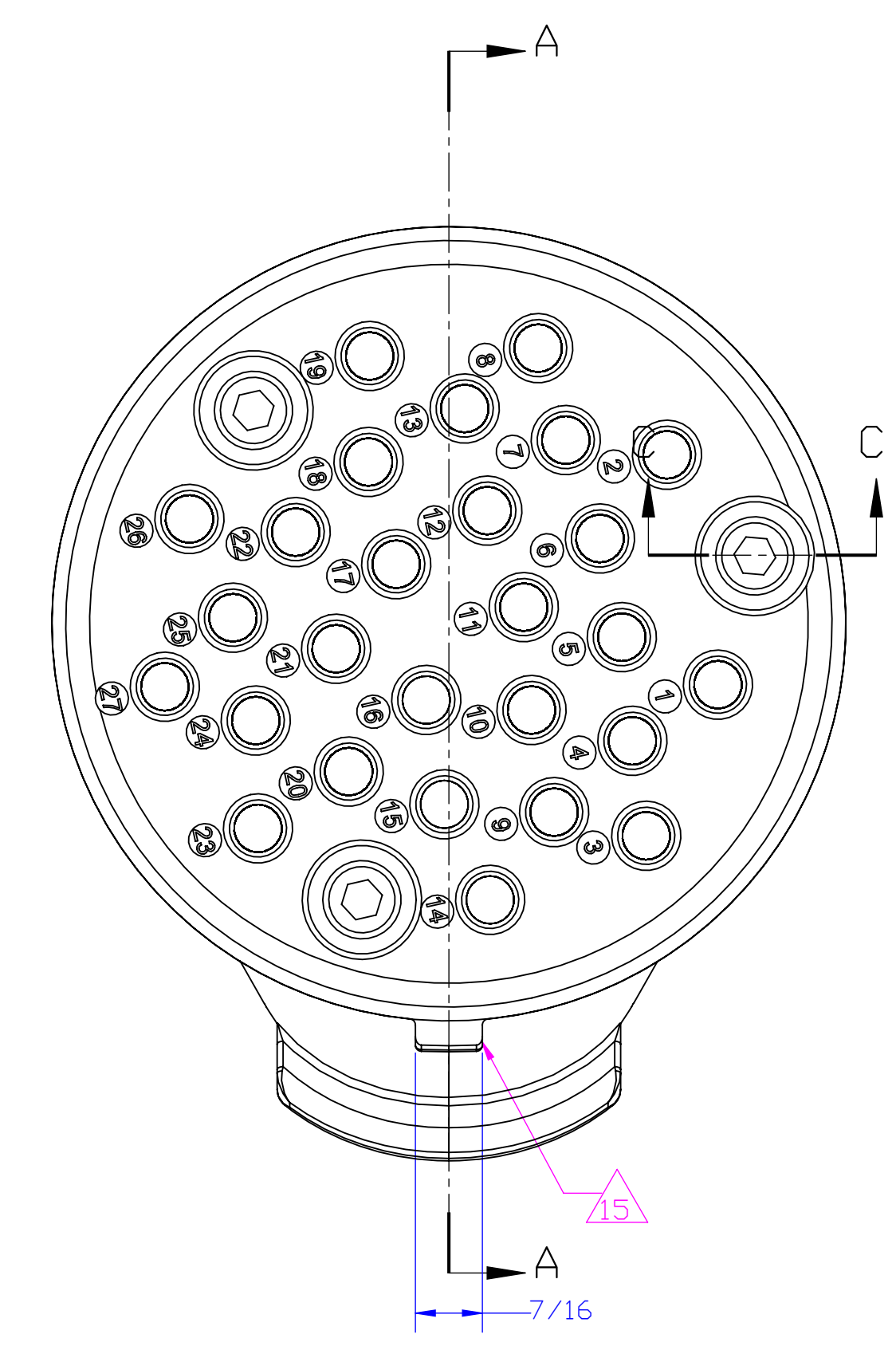
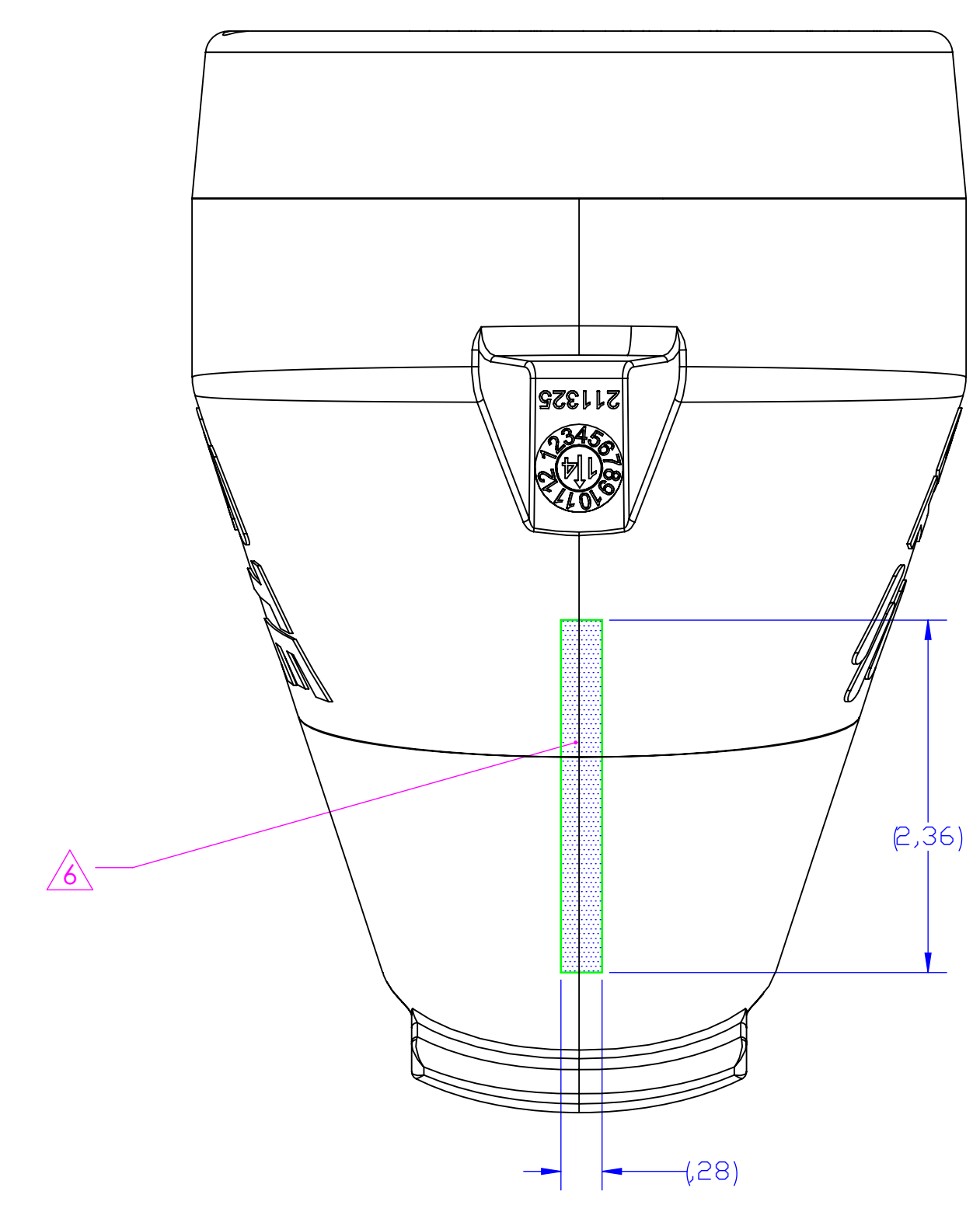
VIEW B-B



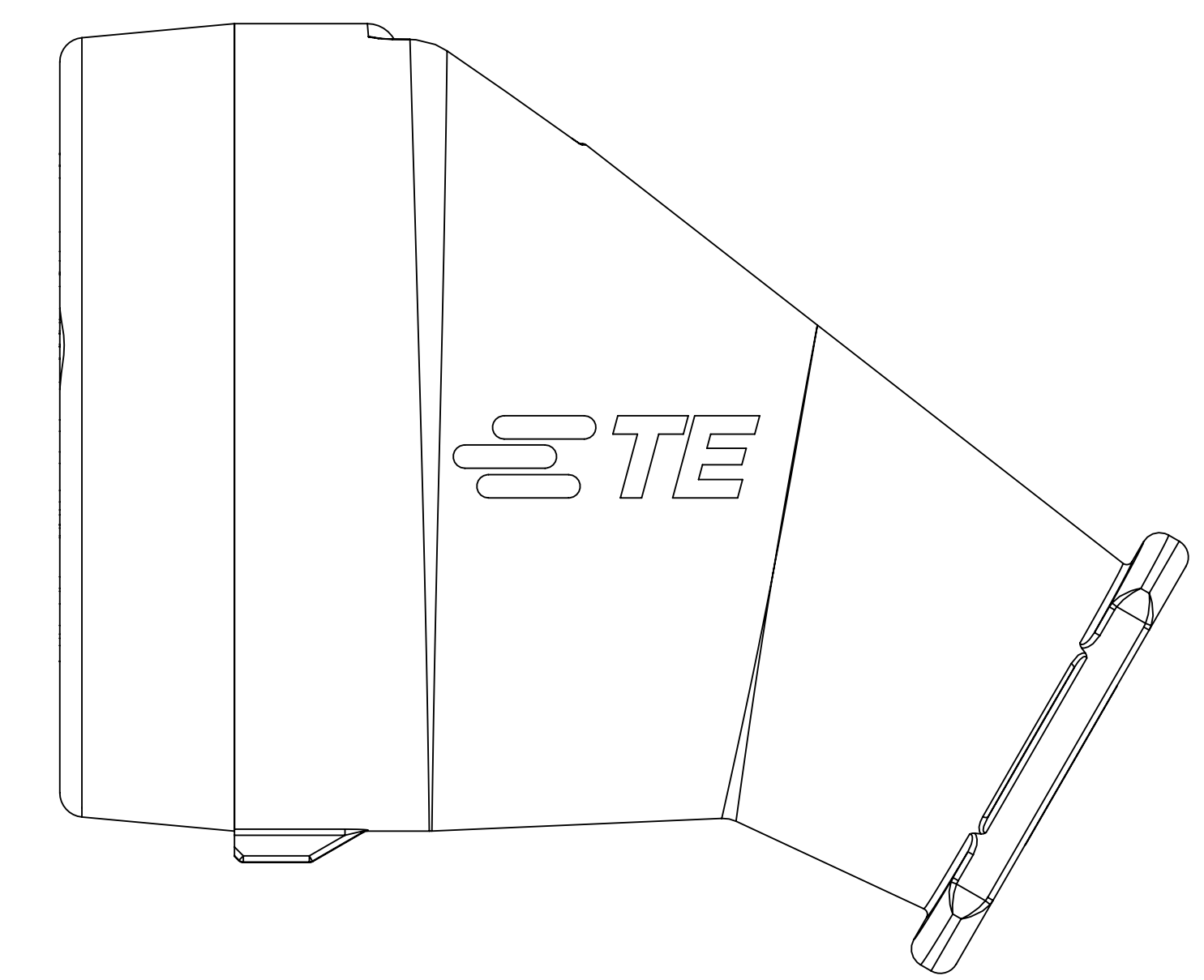
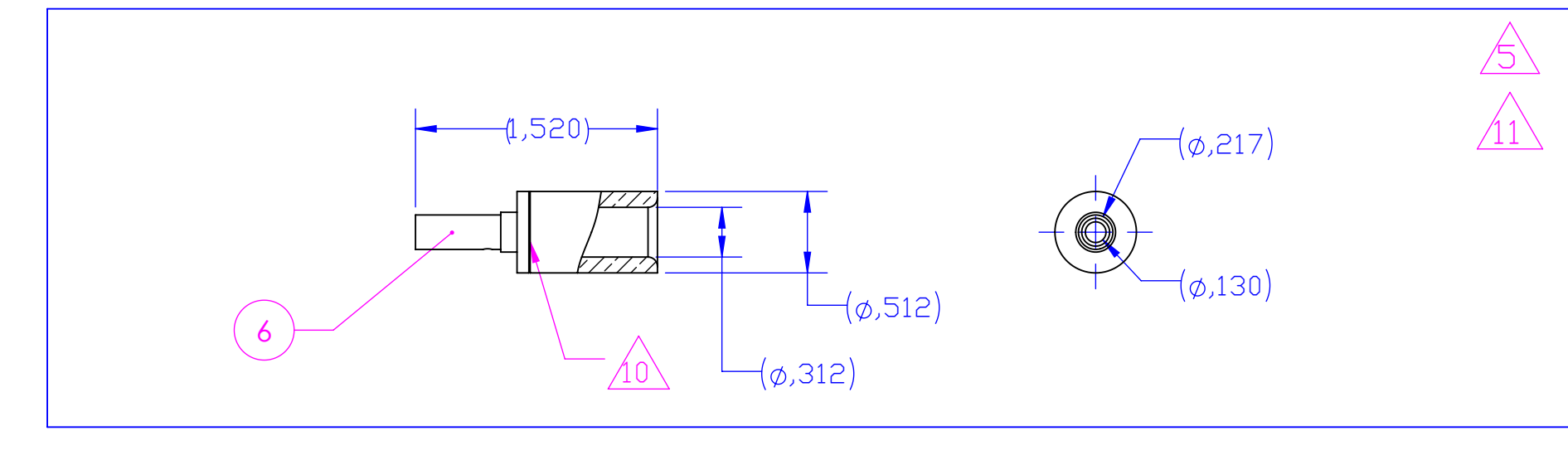
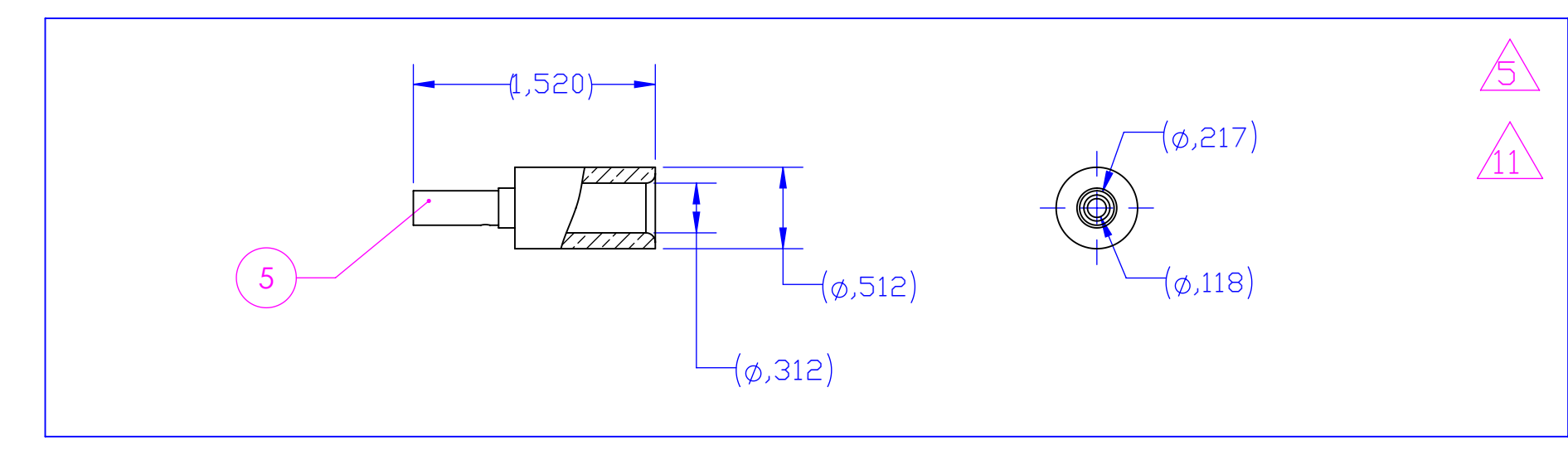
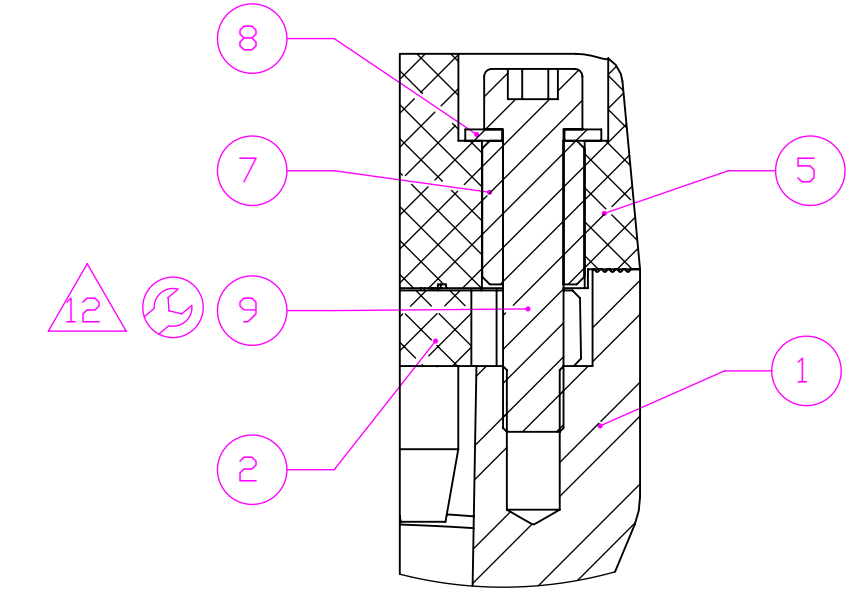
A-A VIEW



| QTY | DESCRIPTION | UNIT | REF | REVISION | DATE | BY | APP |
|-----|---|------|--------------------|----------|------|----|-----|
| 1 | Instruction de montage / Mounting instruction | | YSPEC-408-157000-2 | | | | |
| 1 | Sachet déshydratant / Drying bag | | 0206-0329AS | | | | |
| 1 | Boîte en carton / Carton box | | Y00000-0206-0217AS | | | | |
| 3 | Vis CHC / Screw CHC | | CHCM08x40-1 | | | | |
| 3 | Rondelle plate / Plain washer | | MU-08-1 | | | | |
| 3 | Entretourse / Spacer | | 1504-0030U4 | | | | |
| 1 | Cône de serrage / Clamping cone | | YA-UC-212590A-JQ00 | | | | |
| 1 | KIT de 3 contacts femelle AWG 10 / KIT with 3 female contacts 10 AWG | | YS-UC-212601A-AA1A | | | | |
| 1 | KIT de 24 contacts femelle AWG 12 et 14 / KIT with 24 female contacts 12 and 14 AWG | | YS-UC-212602A-AA1A | | | | |
| 1 | Isolant femelle / Female insert | | YK-UC-211288A-YU00 | | | | |
| 27 | Manchon / Sleeve | | 1504-0008A4 | | | | |
| 1 | Isolant mixte / Mixed insulator | | YK-UC-211276A-QK00 | | | | |
| 1 | Corps de fiche - position 77,5 / Plug body - position 77,5 | | YF-UC-211326A-JG07 | | | | |
| 1 | Protection / Protection | | FMME 4010 | | | | |
| 1 | Fiche matière / Data sheet | | | | | | |
| 1 | Matière / Material | | | | | | |
| 1 | Masse (g) / Weight (g) | | | | | | |
| 1 | Nbr / Qty | | | | | | |
| 1 | Codification / Part number | | | | | | |
| 1 | Désignation / Designation | | | | | | |
| 1 | REP / Item | | | | | | |



C-C VIEW



| REV | DESCRIPTION | DATE | BY | APP |
|-----|--|-----------|----|-----|
| B | Diffusion N°331170 | 28JUL2015 | MB | MV |
| C | App Item 12 and 13 - Add note 13 | 10APR2016 | MB | MV |
| D | Change reference Item 2, 6 and 7, update product spec & application spec - 28JUL2015 | 28JUL2015 | EL | MV |

- 1 () : cotes pour information / dimensions for information
: cotes de controle / inspection dimensions
- 2 () Instructions de mise en oeuvre à appliquer par le client
Customer instructions to be applied by the customer
- 3 () Ref. YS-UC-212601A-AA1A is a KIT with 3 contacts AWG10
Ref. YS-UC-212602A-AA1A is a KIT with 24 contacts AWG12/14
- 4 () Laser marking :
TE + Commercial reference + Year-Week
- 5 () White paint
- 6 () Work instruction according to 118-157000-2
- 7 () Groove made to differentiate contacts
- 8 () Sleeves packaging separately and identified
- 9 () Daniels manual crimping tool :
- Hand crimper HX4
- Die Y543
Daniels pneumatic crimping tool :
- Pneumatic pump HX23
- Die Y543
- 10 () Tightening torque = 10Nm
- 11 () A label with the commercial reference and the complete BOM is glued on the cardboard
- 12 () Standards :
AAR 5-512, APTA RP-E-019-99
- 13 () Key
- 14 () DRAFT ANGLE
- 15 () Spécification de conditionnement 107-157003
Packaging Specification 107-157003
- 16 () Clamping cone Rep 7 suitable with hose acc. to APTA PR-E-RP-019-99 and AAR 5512 definition, 1 1/4 inch in I.D. and 1 23/32 in O.D. (e.g. PARKER ref. GST II BLACK 15 BAR 32x45)

Référence commerciale / Commercial reference : 27P-PLU-3-01

YE-UC-212094A-0000
PART NO

THIS DRAWING IS A CONTROLLED DOCUMENT. BY: M.BINNIN 28JUL2015
DE: G. JEAULT 28JUL2015
M.VIMARD 28JUL2015

STE Connectivity
TYPICAL AEM-7 PLUG

SIZE: 408-157000-2 (1)
WEIGHT: 4.480 pound
CUSTOMER DRAWING

SCALE: 1:1
SHEET: 1 OF 1
REV: 0