



Chipsmall Limited consists of a professional team with an average of over 10 year of expertise in the distribution of electronic components. Based in Hongkong, we have already established firm and mutual-benefit business relationships with customers from,Europe,America and south Asia,supplying obsolete and hard-to-find components to meet their specific needs.

With the principle of “Quality Parts,Customers Priority,Honest Operation,and Considerate Service”,our business mainly focus on the distribution of electronic components. Line cards we deal with include Microchip,ALPS,ROHM,Xilinx,Pulse,ON,Everlight and Freescale. Main products comprise IC,Modules,Potentiometer,IC Socket,Relay,Connector.Our parts cover such applications as commercial,industrial, and automotives areas.

We are looking forward to setting up business relationship with you and hope to provide you with the best service and solution. Let us make a better world for our industry!



Contact us

Tel: +86-755-8981 8866 Fax: +86-755-8427 6832

Email & Skype: info@chipsmall.com Web: www.chipsmall.com

Address: A1208, Overseas Decoration Building, #122 Zhenhua RD., Futian, Shenzhen, China

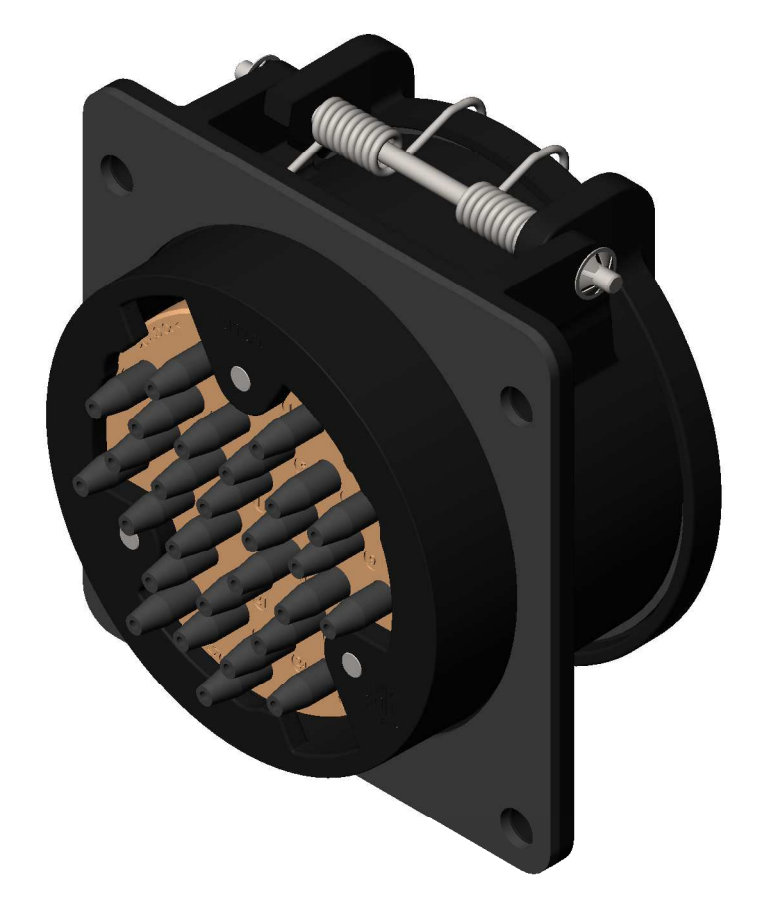


Project NR		REVISIONS	
P	DATE	DESCRIPTION	BY
C	07.JUL.2015	Diffusion N°331170	MB MV
D	07.JUL.2015	Change of material for AWG12 contacts	MB MV
E	05.FEB.2016	Change of material for AWG12 contacts	MB MV

Isometric view - Scale 1/2



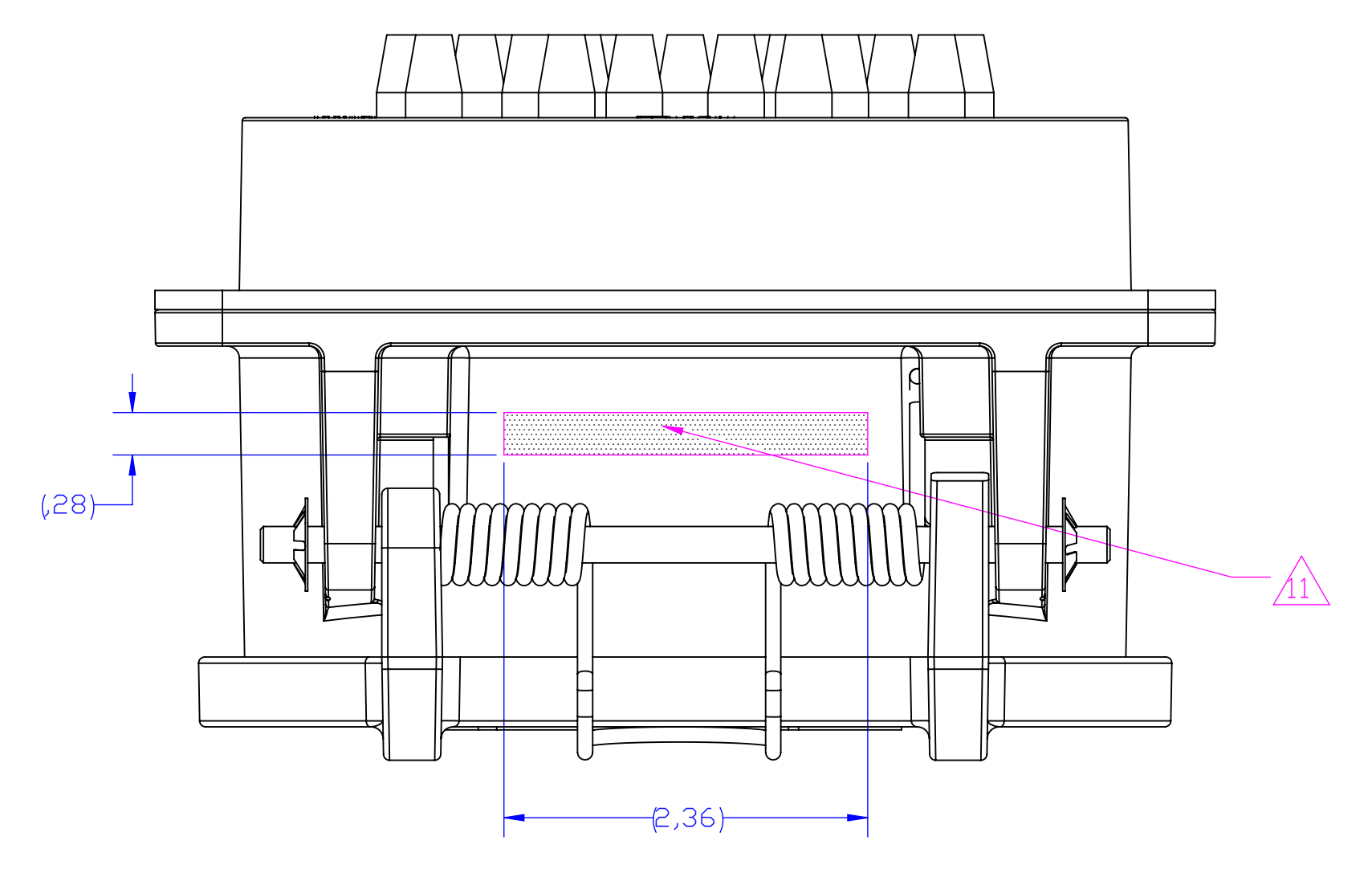
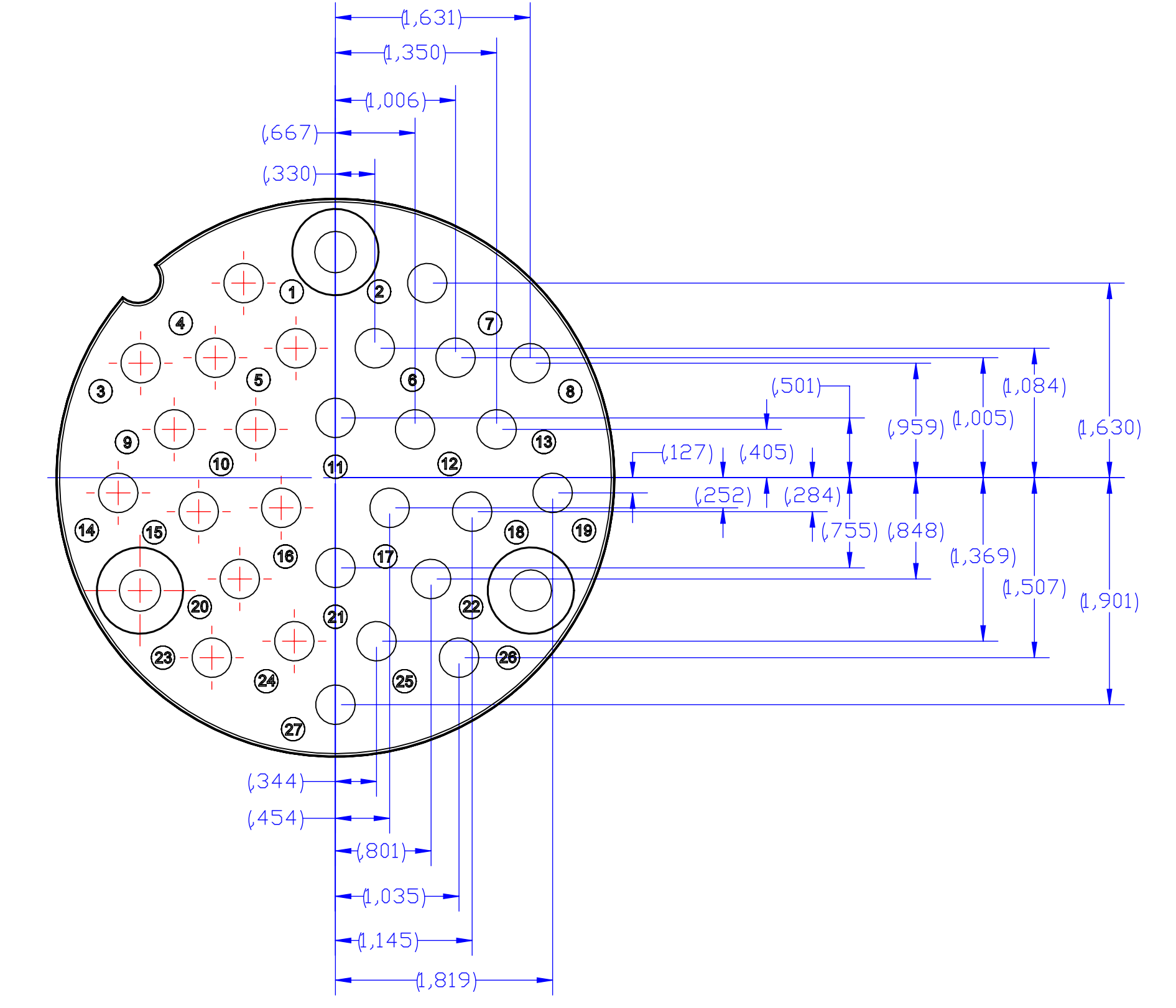
Isometric view - Scale 1/2



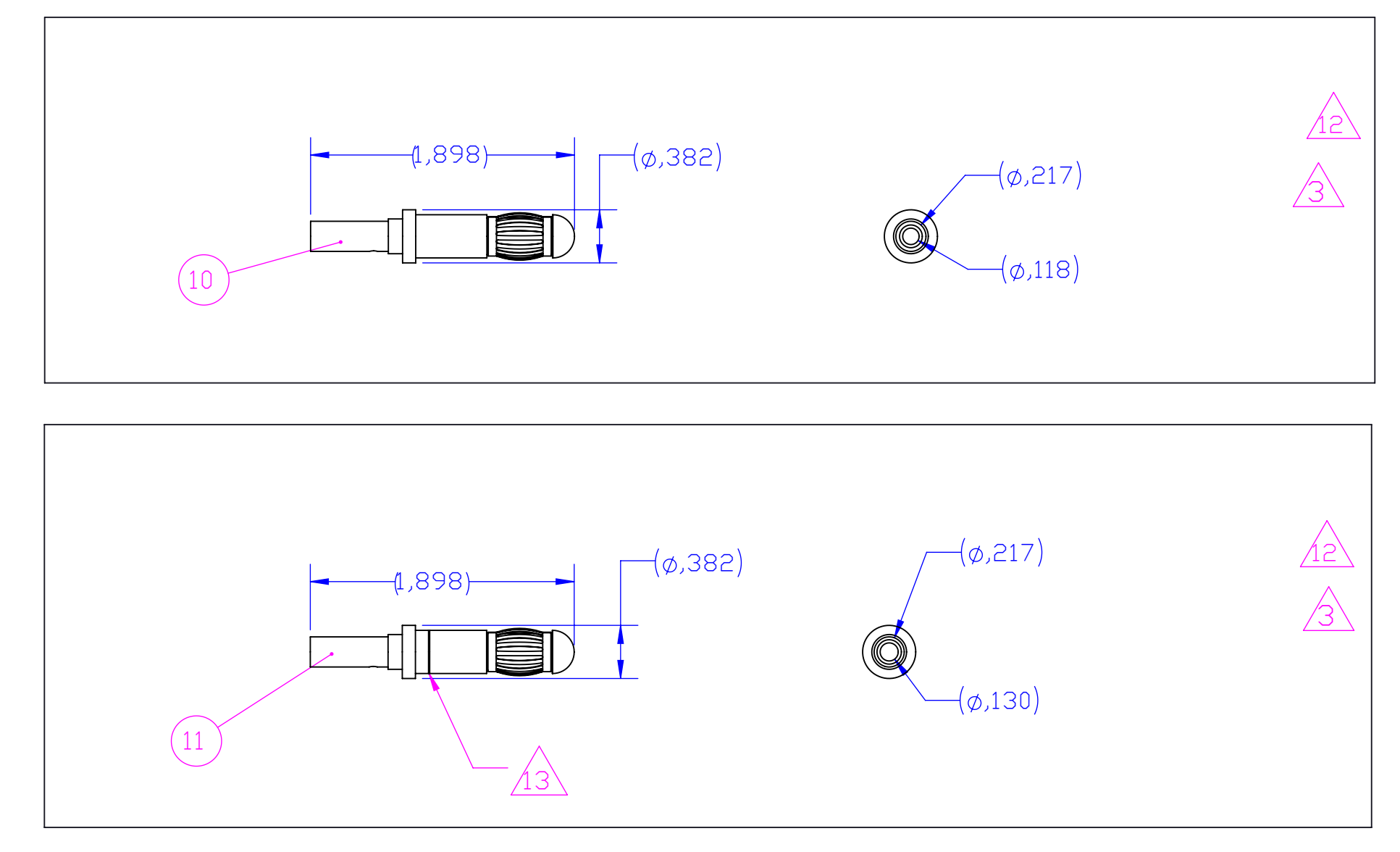
Item	Qty	Part number	Designation	Item
-	5	YSPEC-408-157000-1	Mounting instruction	18
-	1.50	0206-0329AS	Dehydrating bag	17
-	2	0158-0001-X	Collar	16
-	88.14	0206-0105AS	Box	15
Conversion Cr3	376.47	YG-UC-211287A-JG7A	Cover	14
-	1.15	W-08-1	Washer	13
-	17.24	CHCM08x25-1	Screw CHC M8x25	12
Silver plating	43.14	YS-UC-211946A-AA1A	Kit with 3 Male contacts 10 AWG	11
Silver plating	349.15	YS-UC-211945A-AA1A	Kit with 24 Male contactst AWG 12 and 14	10
-	162.78	YK-UC-211275A-QK00	Male insulator	9
-	1.91	YK-UC-211315A-VP00	Sleeve	8
-	124.80	YK-UC-211276A-QK00	Mixed insulator	7
-	0.41	Y0000000-7105-06-I	Self locking ring	6
-	52.30	YA-UC-211297A-VN00	Gasket	5
-	13.14	1504-0019A4	Gasket	4
-	4.31	1504-0005A4	Spring	3
-	3.95	1504-0018A4	Axis	2
Conversion Cr3	1070.45	YG-UC-211281A-JG7A	Receptacle body - position 0	1

- 1 () : cotes pour information / dimensions for information
- 1 () : cotes de controle / inspection dimensions
- 2 Instructions de mise en oeuvre à appliquer par le client
Customer instructions to be applied by the customer
- Ref. YS-UC-211946A-AA1A is a KIT with 3 contacts AWG10
Ref. YS-UC-211945A-AA1A is a KIT with 24 contacts AWG12/14
- Receptacle gasket is sold tied on the receptacle
- Black point
- 8 Work instruction according to 118-157000-1
- Diameter of panel mounting hole : 5,86±0.005
- Tightening torque = 10Nm
- 11 Laser marking :
TE + Commercial reference + Year-Week
- Daniels manual crimping tool :
- Hand crimper HX4
- Die Y543
- Daniels pneumatic crimping tool :
- Pneumatic pump HX23
- Die Y543
- Groove made to differentiate contacts
- Sleeves packaging separately and identified
- A label with the commercial reference and the complete BOM is glued on the cardboard
- Standards :
AAR 5-S12, APTA RP-E-019-99
- 17 Packaging Specification 107-157003

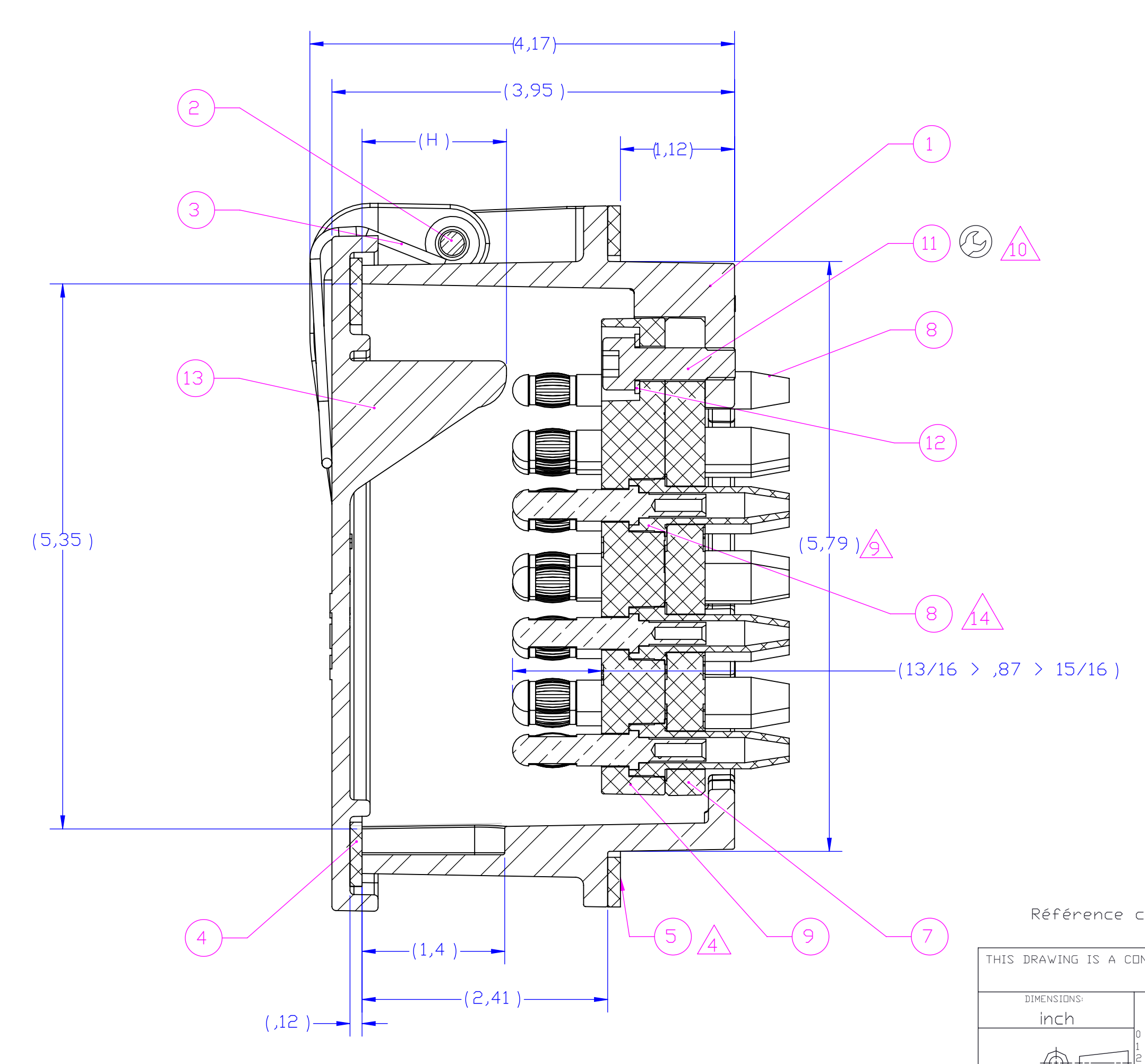
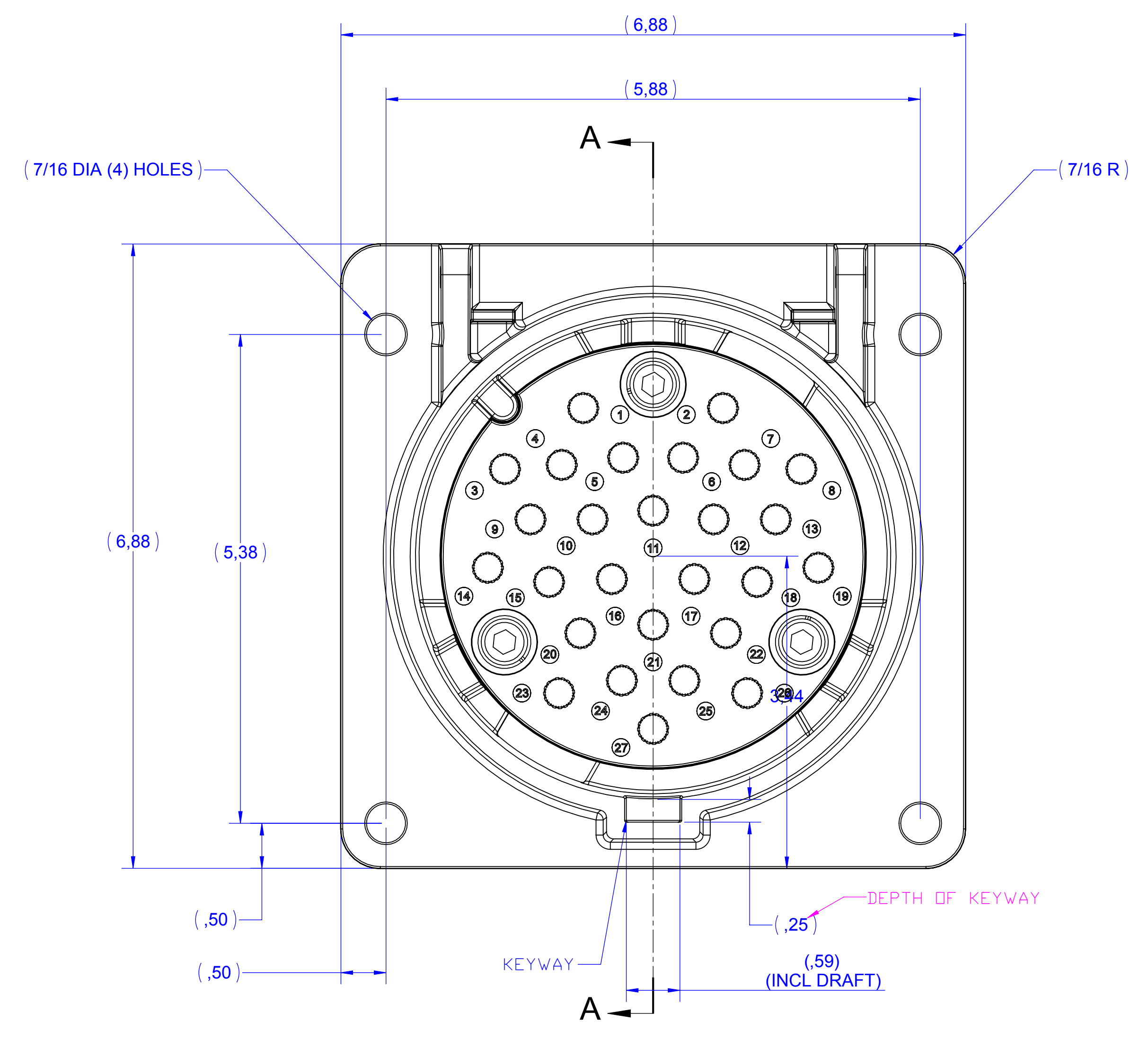
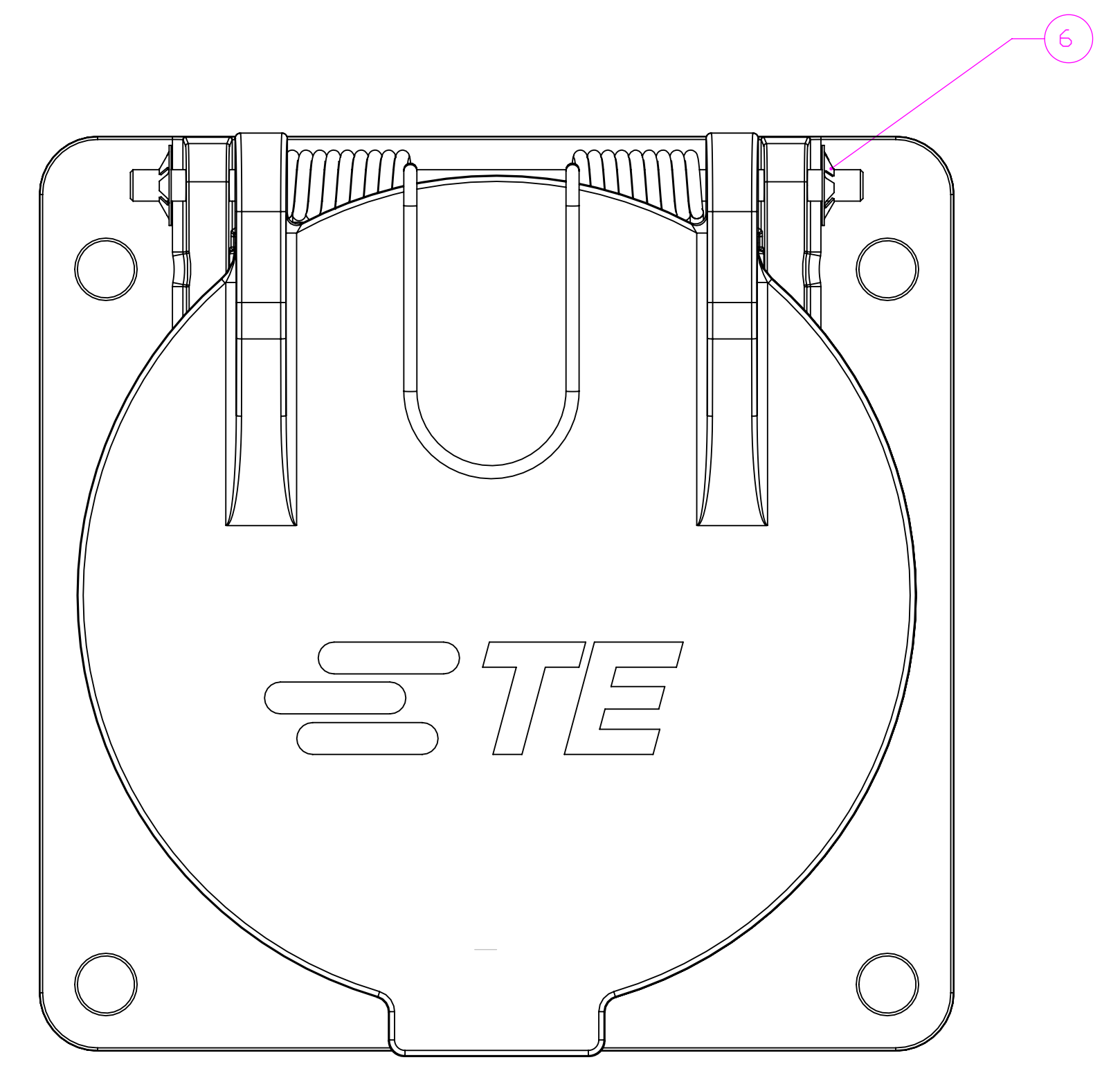
INSULATOR VIEW
SCALE 1/4



VIEW WITH COVER CLOSED



A-A VIEW



Référence commerciale / Commercial reference : 27P-REC-1-01

YE-UC-211942A-0000
PART NO

THIS DRAWING IS A CONTROLLED DOCUMENT. DATE: 07.JUL.2015
BY: M.BENININ
CHECKED: G. GALI PAULI
DATE: 07.JUL.2015
REVISED: M. VIMARD
DATE: 07.JUL.2015

STE
TE Connectivity

MU RECEPTACLE CONTROL

PRODUCT SPEC: 108-157001
APPLICATION SPEC: 408-157000-1
WEIGHT: 5.057 pound

CUSTOMER DRAWING

SCALE: 1/1
SHEET: 1 OF 1
REV: E