



Chipsmall Limited consists of a professional team with an average of over 10 year of expertise in the distribution of electronic components. Based in Hongkong, we have already established firm and mutual-benefit business relationships with customers from,Europe,America and south Asia,supplying obsolete and hard-to-find components to meet their specific needs.

With the principle of "Quality Parts,Customers Priority,Honest Operation,and Considerate Service",our business mainly focus on the distribution of electronic components. Line cards we deal with include Microchip,ALPS,ROHM,Xilinx,Pulse,ON,Everlight and Freescale. Main products comprise IC,Modules,Potentiometer,IC Socket,Relay,Connector.Our parts cover such applications as commercial,industrial, and automotives areas.

We are looking forward to setting up business relationship with you and hope to provide you with the best service and solution. Let us make a better world for our industry!



Contact us

Tel: +86-755-8981 8866 Fax: +86-755-8427 6832

Email & Skype: info@chipsmall.com Web: www.chipsmall.com

Address: A1208, Overseas Decoration Building, #122 Zhenhua RD., Futian, Shenzhen, China



5

4

3

2

1



Description: CPAD557 BNC Adpter, Jack To Jack
 Part No: 28-84707
 Application: Adapter
 Crimp Tool: N/A
 Impedance: 75 ohm
 Frequency Range: 0~2 GHz
 Material: Body Zinc Nickel plated
 Insulator Delrin
 Contact Berllium Gold plated
 Mounting nut Brass Nickel plated
 Lockwasher Steel Nickel plated

RoHS Compliance: Yes
 Technical Detail: Refer to Emerson Document P/N 27-0000

DRAWING NO.
28-84707

REVISIONS

01	OFFICIAL RELEASE	2009.09.08
	08-18-09	09:38:15 +0800C

D

C

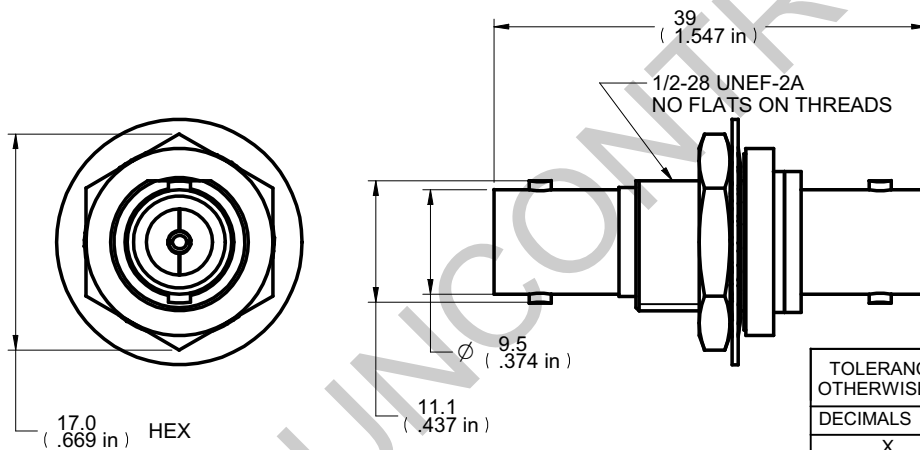
D

C

受控 CONTROLLED DOCUMENT					
编号 P/N	28-84707-CUST	版本 Rev	01	日期 Rel'd Date	SEP 14,09

B

B



DIM OUTLINE

CUSTOMER COPY

A

A

TOLERANCE UNLESS OTHERWISE SPECIFIED	DRAWN BY LINDA.WU	DATE 08-18-09
DECIMALS	CHECKED BY LINDA.WU	DATE 08-18-09
X ± 0.5	APPROVED BY THOMAS	DATE 08-18-09
X.X ± 0.3		
X.XX ± 0.1		
ANGLES ± 0.5°	U/M	mm



TITLE
CPAD557 BNC ADPTR, JACK TO JACK

THIS DRAWING WAS PRODUCED BY COMPUTER,
DO NOT SCALE DRAWING OR UPDATE MANUALLY.

SHEET 1 OF 1	DRAWING NO. 28-84707	SIZE A
-----------------	-------------------------	-----------

5

4

3

2

1