



Chipsmall Limited consists of a professional team with an average of over 10 year of expertise in the distribution of electronic components. Based in Hongkong, we have already established firm and mutual-benefit business relationships with customers from,Europe,America and south Asia,supplying obsolete and hard-to-find components to meet their specific needs.

With the principle of “Quality Parts,Customers Priority,Honest Operation,and Considerate Service”,our business mainly focus on the distribution of electronic components. Line cards we deal with include Microchip,ALPS,ROHM,Xilinx,Pulse,ON,Everlight and Freescale. Main products comprise IC,Modules,Potentiometer,IC Socket,Relay,Connector.Our parts cover such applications as commercial,industrial, and automotives areas.

We are looking forward to setting up business relationship with you and hope to provide you with the best service and solution. Let us make a better world for our industry!



Contact us

Tel: +86-755-8981 8866 Fax: +86-755-8427 6832

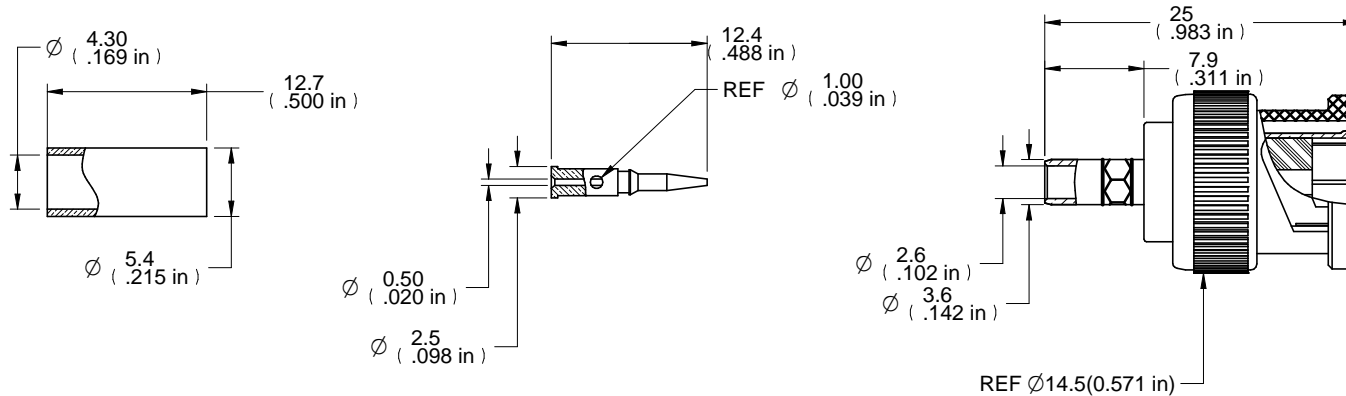
Email & Skype: info@chipsmall.com Web: www.chipsmall.com

Address: A1208, Overseas Decoration Building, #122 Zhenhua RD., Futian, Shenzhen, China





DESCRIPTION: BNC MALE CRIMP FOR BELDEN 8218 75Ω
 MODEL NUMBER: 28-91057
 APPLICATION: FOR BELDEN 8218, 735A CABLE
 CRIMP TOOL: 24-9912P
 IMPEDANCE: 75 OHMS
 FREQUENCY RANGE: 0-2 GHZ
 MATERIAL: BODY: BRASS NICKEL PLATED
 CONTACT: BRASS GOLD PLATED
 INSULATOR: TEFLON
 CRIMP SLEEVE: BRASS NICKEL PLATED
 COUPLING NUT: BRASS NICKEL PLATED
 RoHS COMPLIANCE: YES
 TECHNICAL DETAIL: REFER TO CINCH DOCUMENT P/N 27-0000



DIM OUTLINE

<p> <small>This PROPRIETARY Document is property of Cinch Connectivity Solutions. It is confidential in nature, non-transferable, and issued with the clear understanding that it is not to be copied or copied without permission and is returnable upon demand.</small> <small>INTERPRET DRAWING IN ACCORDANCE WITH ASME Y14.5-2009.</small> </p>		AIM-Cambridge	
	RoHS2 <input checked="" type="checkbox"/> 2011/65/EU	Title: BNC Plug, 3 Piece Crimp, 8218, 735A	
	<small>UNLESS OTHERWISE SPECIFIED UNITS: METRIC</small> .X ±.51 .XX ±.127 ANGLES ±2°	Model No. 28-91057	
	Size A	DO NOT SCALE DRAWING	Date: 2015/3/13