



Chipsmall Limited consists of a professional team with an average of over 10 year of expertise in the distribution of electronic components. Based in Hongkong, we have already established firm and mutual-benefit business relationships with customers from,Europe,America and south Asia,supplying obsolete and hard-to-find components to meet their specific needs.

With the principle of “Quality Parts,Customers Priority,Honest Operation,and Considerate Service”,our business mainly focus on the distribution of electronic components. Line cards we deal with include Microchip,ALPS,ROHM,Xilinx,Pulse,ON,Everlight and Freescale. Main products comprise IC,Modules,Potentiometer,IC Socket,Relay,Connector.Our parts cover such applications as commercial,industrial, and automotives areas.

We are looking forward to setting up business relationship with you and hope to provide you with the best service and solution. Let us make a better world for our industry!



Contact us

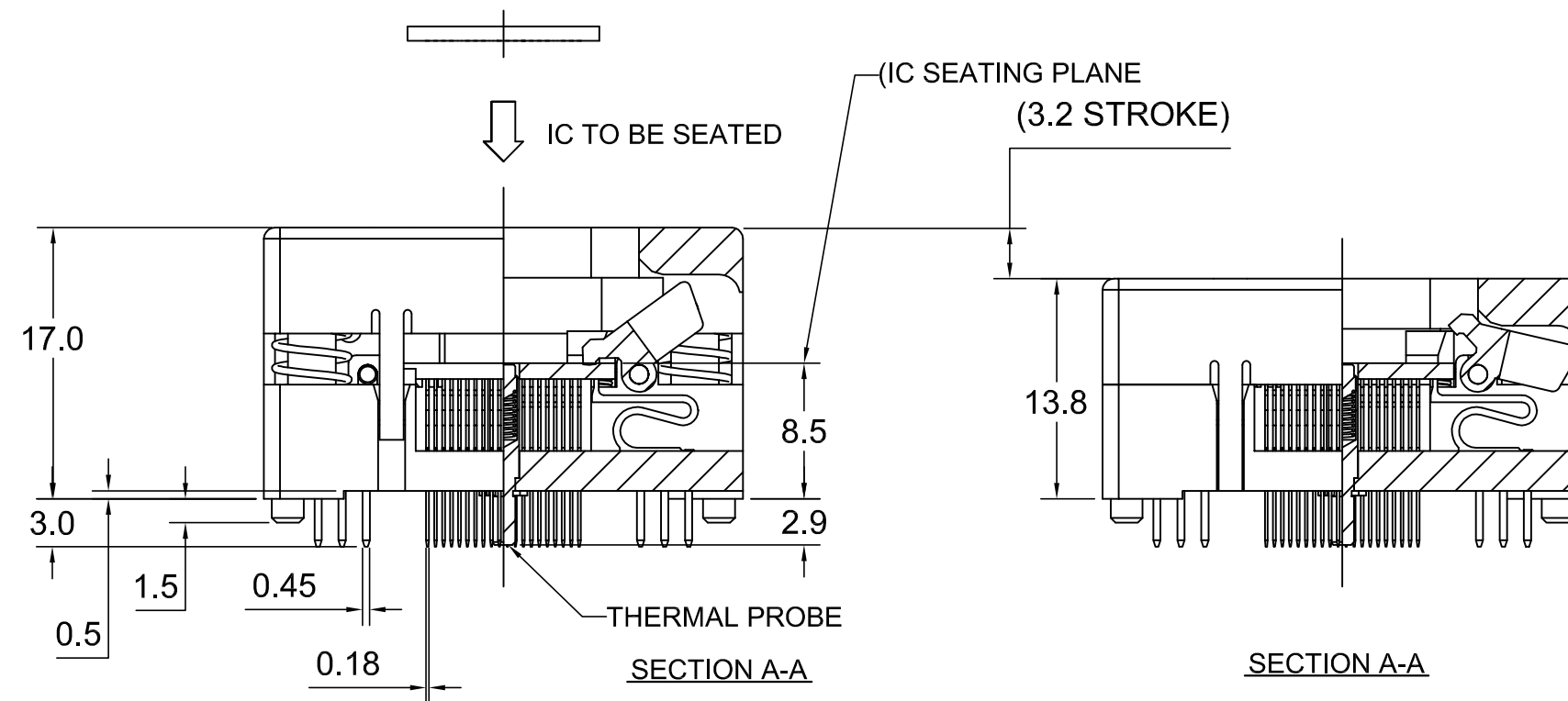
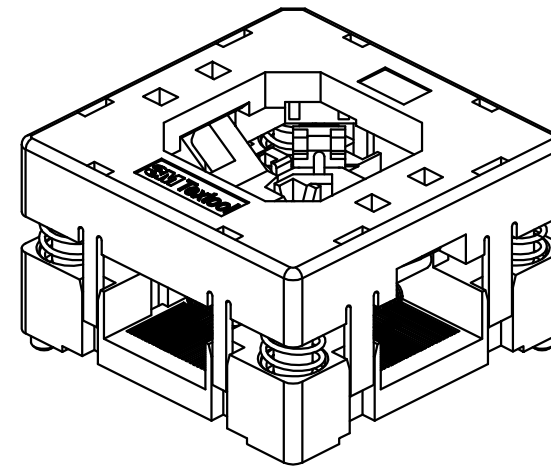
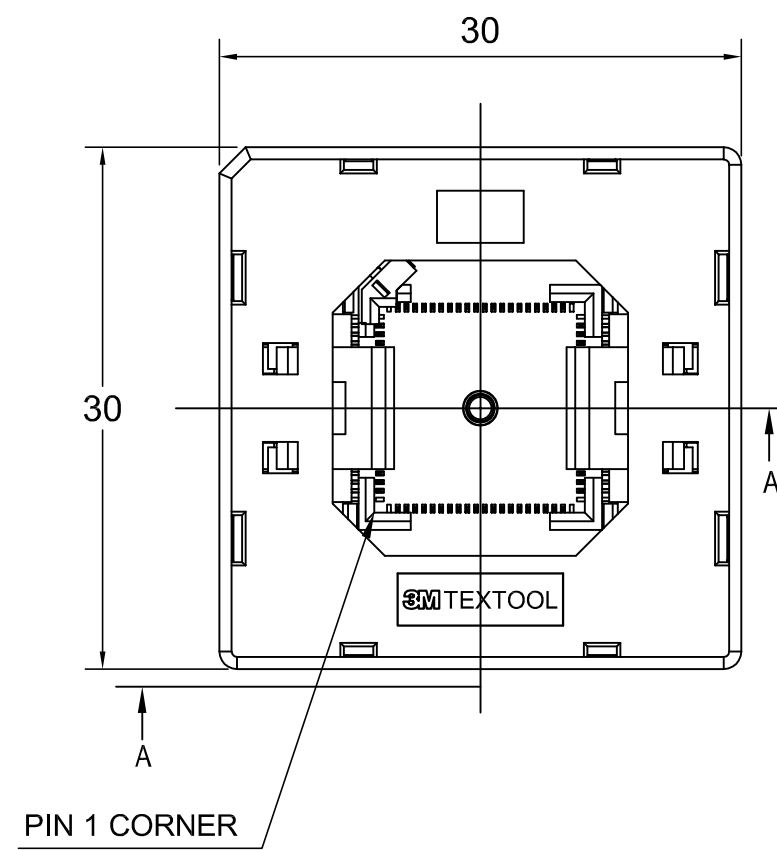
Tel: +86-755-8981 8866 Fax: +86-755-8427 6832

Email & Skype: info@chipsmall.com Web: www.chipsmall.com

Address: A1208, Overseas Decoration Building, #122 Zhenhua RD., Futian, Shenzhen, China



3M™ TEXTTOOL™ OPEN-TOP SOCKETS FOR QFN APPLICATIONS



NOTES:

1. MATERIALS:

SPRINGS	SS	
CONTACTS	Be Cu	PLATING : Au
IC GUIDES	PES	COLOR : BLACK
PRESSURE PAD	PES	COLOR : BLACK
COVER	PPS or equiv.	COLOR : BLACK
BASE	PES	COLOR : BLACK

2. SEE THE REGULATORY INFORMATION APPENDIX (RIA) IN THE "RoHS COMPLIANCE" SECTION WWW.3MCONNECTOR.COM FOR COMPLIANCE INFORMATION (RIA E1 & C1 APPLY).

3. FOR PRODUCT SPECIFICATIONS AND WARRANTY INFORMATION SEE:

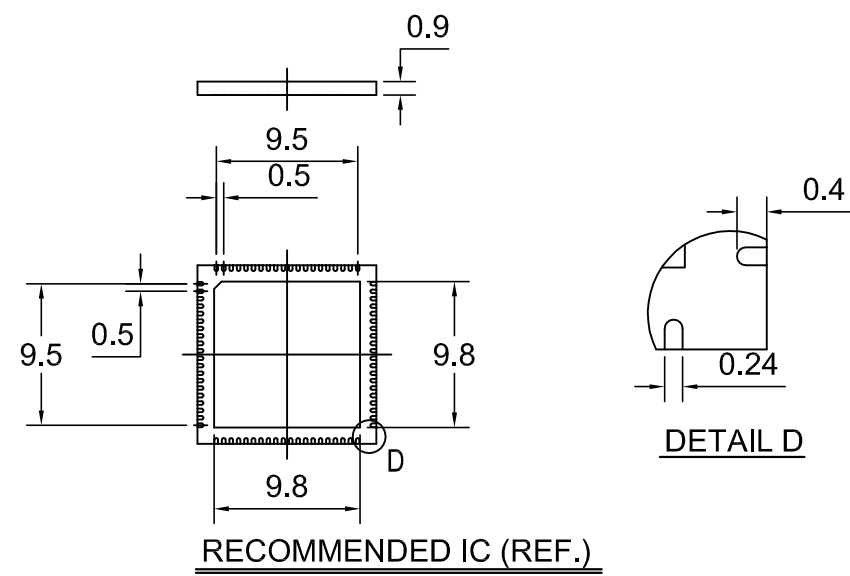
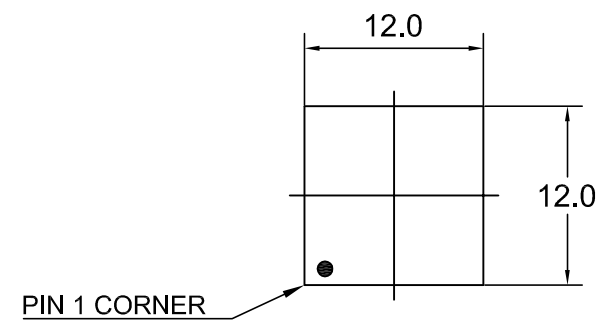
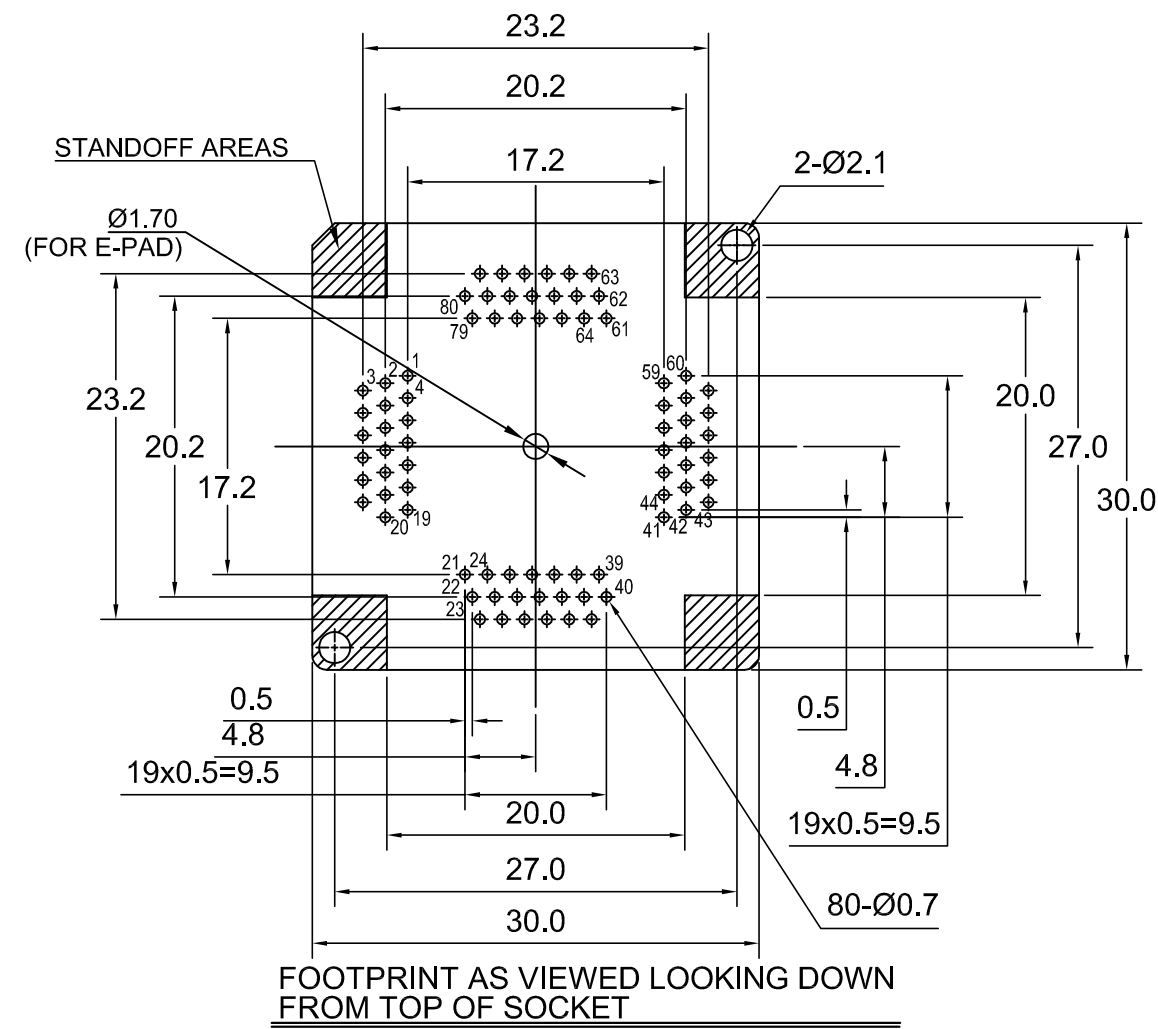
WWW.3MCONNECTOR.COM PN 280-5205-01

REV	ECO	ISSUE DATE AND DESCRIPTION	DRFT	CHKD
B	53964	ADDED PINOUT ON SHT 2	LDS	BG
A	37213	INITIAL RELEASE	ARM	
DRFT	DATE	MFG	DATE	
CHKD	DATE	APPVL	DATE	

DESIGN REFERENCE	NEXT ASSEMBLY
DISTRIBUTION CODES	
DIVISION	DIVISION CODE
DO NOT SCALE DRAWING	SCALE 5/1
TOLERANCES EXCEPT AS NOTED	
INCHES	.0 ± .1 .00 ± .02 .000 ± .005 .0000 ± .0002
MILLIMETERS	0 ± .1 .00 ± .005 .000 ± .0002
THIRD ANGLE PROJECTION	INTERPRET PER ASME Y14.5 - 1994
MAX SURFACE ROUGHNESS	125
ALL SURFACES	<input type="checkbox"/>
MARKED ONLY	<input checked="" type="checkbox"/>
ANGLES ±	1°

3M		3M Center St. Paul, MN 55144		© 3M COPYRIGHT 2014 This document is the copyrighted property of the 3M Company and may not be reproduced without 3M written permission or used for other than 3M authorized purposes.	
TITLE QFN TEST SOCKET, 0.5mm 80 POS, EVEN ROW, 12x12 PKG WITH TP					
CAGE NUMBER	SIZE	DRAWING NO.	REV.		
125	C	78-5100-2476-9	B		
MODEL	TEXTTOOL - QFN	DET. LISTS	<input type="checkbox"/> YES <input checked="" type="checkbox"/> NO	SHT	1 OF 2

3M™ TEXTTOOL™ OPEN-TOP SOCKETS FOR QFN APPLICATIONS



DESIGN REFERENCE		NEXT ASSEMBLY		REV	ECO	ISSUE DATE AND DESCRIPTION		DRFT	CHKD
DISTRIBUTION CODES				DRFT		DATE	MFG	DATE	
				CHKD		DATE	APPVL	DATE	
DIVISION		DIVISION CODE		3M Center St. Paul, MN 55144 © 3M COPYRIGHT 2014 This document is the copyrighted property of the 3M Company and may not be reproduced without 3M written permission or used for other than 3M authorized purposes.					
DO NOT SCALE DRAWING		SCALE 5 1							
THIRD ANGLE PROJECTION		INCHES		.0 ± .1		TITLE QFN TEST SOCKET, 0.5mm 80 POS, EVEN ROW, 12x12 PKG WITH TP			
INTERPRET PER ASME Y14.5 - 1994		MILLIMETERS		0 ± .1					
MAX SURFACE ROUGHNESS		MILLIMETERS		.0 ± .005		CAGE NUMBER		SIZE	
125		<input type="checkbox"/> ALL SURFACES <input checked="" type="checkbox"/> MARKED ONLY		.000 ±		DRAWING NO. 78-5100-2476-9		REV. B	
		ANGLES ± 1°		MODEL		TEXTTOOL - QFN		DET. LISTS <input type="checkbox"/> YES <input checked="" type="checkbox"/> NO SHT 2 OF 2	