



Chipsmall Limited consists of a professional team with an average of over 10 year of expertise in the distribution of electronic components. Based in Hongkong, we have already established firm and mutual-benefit business relationships with customers from,Europe,America and south Asia,supplying obsolete and hard-to-find components to meet their specific needs.

With the principle of “Quality Parts,Customers Priority,Honest Operation,and Considerate Service”,our business mainly focus on the distribution of electronic components. Line cards we deal with include Microchip,ALPS,ROHM,Xilinx,Pulse,ON,Everlight and Freescale. Main products comprise IC,Modules,Potentiometer,IC Socket,Relay,Connector.Our parts cover such applications as commercial,industrial, and automotives areas.

We are looking forward to setting up business relationship with you and hope to provide you with the best service and solution. Let us make a better world for our industry!



Contact us

Tel: +86-755-8981 8866 Fax: +86-755-8427 6832

Email & Skype: info@chipsmall.com Web: www.chipsmall.com

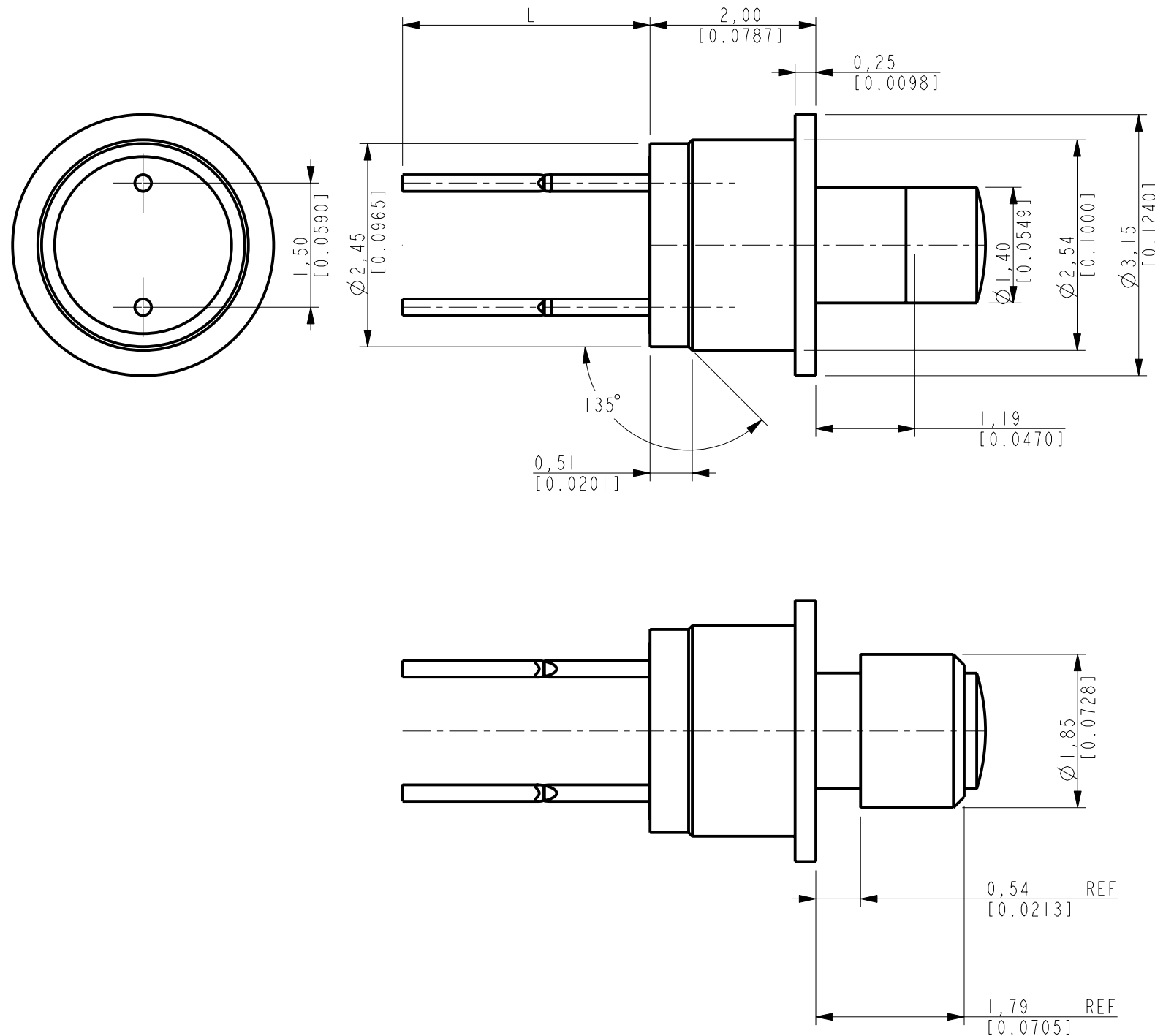
Address: A1208, Overseas Decoration Building, #122 Zhenhua RD., Futian, Shenzhen, China



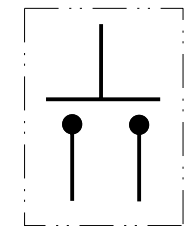
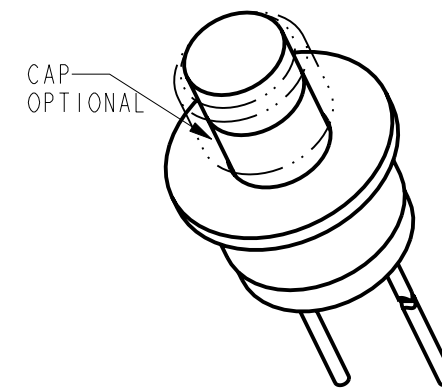
LEAD LENGTH (L)	
1	9,9±0,5mm[0.3897±0.0196]
2	20,00±0,5mm[0.7874±0.0196]

ACTUATION FORCE	
1	75-150 cN
2	35-60 cN

OPTIONAL LEAD TRIMMING HAS A TOLERANCE OF ±1,00[.0393]



ENVIRONMENTAL DATA		
4.8	RECOMMENDED GLUE	CYANOACRYLATE (NON-BLOOMING)
4.7	CLEANING	USE AQUA WASH (ALPA 2110) BENZINE AMMONIA, 10% SOLUTION WITH DEMINERALIZED WATER.
4.6	VIBRATION	20 g's, 10 TO 2000 Hz
4.5	SHOCK	100 g's
4.4	OPERATIONAL TEMPERATURE	-40°C TO 70°C
4.3	SOLDER TEMPERATURE	400°C [750°F] FOR 1 SECOND
4.2	THERMAL SHOCK	10 CYCLES, 15 MIN. AT -40°C AND 15 MIN. AT 70°C
4.1	HUMIDITY	96 HRS. OF 40°C, 95% RH
MATERIAL DATA		
3.3	TERMINAL	GOLD-PLATED WIRE LEADS
3.2	HOUSING	POLYAMIDE
3.1	CONTACT MATERIAL	GOLD-PLATED COPPER ALLOY
ELECTRICAL DATA		
2.4	INSULATION RESISTANCE	100 MΩ
2.3	DIELECTRIC STRENGTH	400 V rms
2.2	ELECTRICAL RATING	6 VDC, 50 mA
2.1	INITIAL CONTACT RESISTANCE	150mΩ max.
MECHANICAL DATA		
1.8	ALL MATERIALS	COMPLIANCE WITH EU DIRECTIVE 2002/95/EC (RoHS)
1.7	LIFE CYCLE EXPECTANCY	>100,000 CYCLES AT RATED LOAD
1.6	SOLDERABILITY	METHOD 208D OF MIL-STD 202F
1.5	LEAD PULL STRENGTH	600cN
1.4	PUSH STRENGTH	2000cN
1.3	ACTUATION TRAVEL	0,35mm [0.0138"] (F)
1.2	ACTUATION FORCE	SEE TABLE
1.1	CONTACT BOUNCE	< 10 msec.



FUNCTION

SCALE 10:1

REVISIONS				SCALE: 15:1		MATERIAL:		
G	C10106364	8/28/07	LSY	FUNDAMENTAL TOLERANCE:	± 0,05 [0.002]	HEAT TREATMENT:		
F	C10104210	04/27/06	BCS	ANGLE TOLERANCE:	± 1°	FINISH:		
E	C10104073	03/31/06	BCS	MISMATCH TOLERANCE:	± 0,05 [0.002]	TITLE:		
D	C10103626	12/20/05	BCS	DESIGNED	04/14/05	PUSH BUTTON SWITCH W/FLANGED HOUSING & STD. DRIVER		
C	C10103174	09/26/05	BCS	CHECKED	06/22/06			BCS
B	C10101716	11/08/04	BCS	RELEASED	06/22/06			J.McS.
A	A10100803	02/04/04	BCS			RELEASED LEVEL: RELEASED REVISION: G		
PROPRIETARY NOTE: THIS DOCUMENT CONTAINS INFORMATION WHICH IS THE PROPRIETARY PROPERTY OF KNOWLES ELECTRONICS, LLC. OR ITS AFFILIATED ENTITIES. IT IS ISSUED IN STRICT CONFIDENCE AND SHALL NOT BE REPRODUCED, COPIED, USED, OR DISCLOSED TO ANY THIRD PARTY PARTIALLY OR WHOLLY IN ANY MANNER WITHOUT PRIOR WRITTEN PERMISSION OF KNOWLES ELECTRONICS, LLC. AND MUST BE RETURNED UPON REQUEST BY KNOWLES ELECTRONICS, LLC.						DRAWING NUMBER: 2800-401 SHEETS: 1 of 1		