



Chipsmall Limited consists of a professional team with an average of over 10 year of expertise in the distribution of electronic components. Based in Hongkong, we have already established firm and mutual-benefit business relationships with customers from,Europe,America and south Asia,supplying obsolete and hard-to-find components to meet their specific needs.

With the principle of "Quality Parts,Customers Priority,Honest Operation,and Considerate Service",our business mainly focus on the distribution of electronic components. Line cards we deal with include Microchip,ALPS,ROHM,Xilinx,Pulse,ON,Everlight and Freescale. Main products comprise IC,Modules,Potentiometer,IC Socket,Relay,Connector.Our parts cover such applications as commercial,industrial, and automotives areas.

We are looking forward to setting up business relationship with you and hope to provide you with the best service and solution. Let us make a better world for our industry!



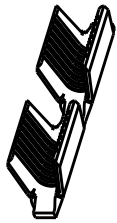
## Contact us

Tel: +86-755-8981 8866 Fax: +86-755-8427 6832

Email & Skype: info@chipsmall.com Web: www.chipsmall.com

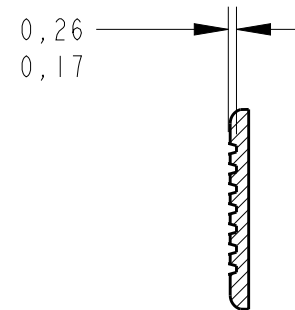
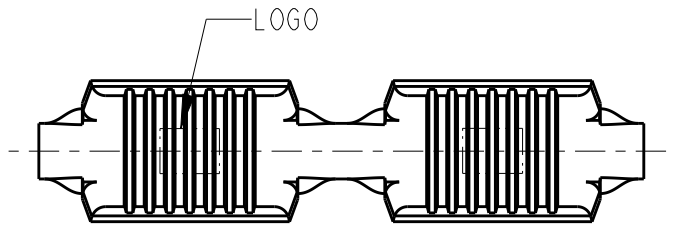
Address: A1208, Overseas Decoration Building, #122 Zhenhua RD., Futian, Shenzhen, China





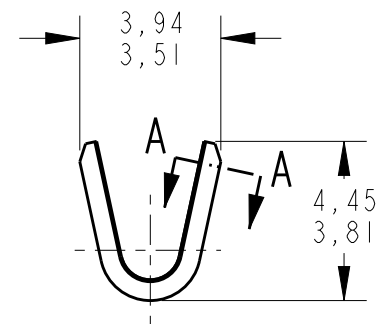
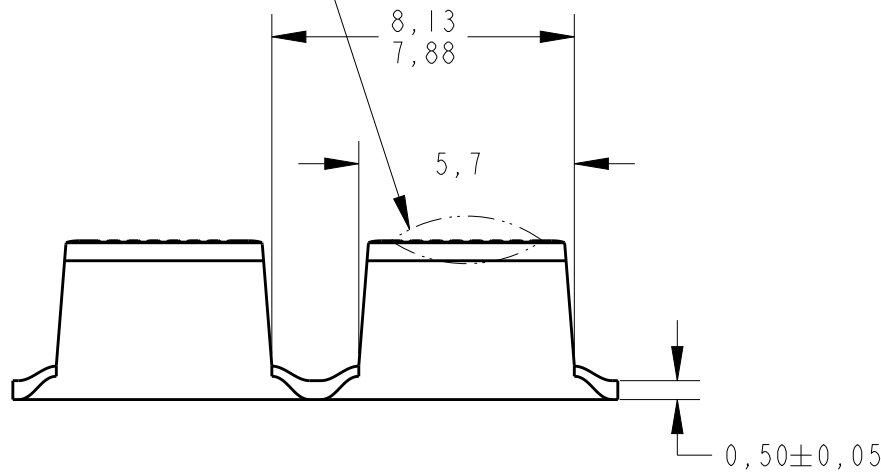
SCALE 2:1

REVISIONS					
P	LTR	DESCRIPTION	DATE	DWN	APVD
	T4	REDRAWN AND REV. BY ECO16-005110	12JULY2016	HC	WLS
	T5	REVISED BY ECO 16-010925	25JULY2016	HC	WLS



SECTION A-A

SMALL DISTORTION PERMITTED



- ① - NOT FOR USE WITH ALUMINUM MAGNET WIRE, USE WITH COPPER MAGNET WIRE ONLY.
- ② - PACKAGING 20.000 PCS/REEL WITH PAPER INTERLEAVE - 3 REELS/BOX.

WIRE RANGE  
1500-5000 CMA

—	BRASS	1-280002-1	②	①
TIN PLATED	BRASS	280002-2		
—	BRASS	280002-1	①	
FINISH	MATERIAL	PART NUMBER		

RELEASED FOR PUBLICATION

ALL RIGHTS RESERVED.

THIS DRAWING IS UNPUBLISHED.

© COPYRIGHT copyright\_dBTe

DIMENSIONS: mm		DWN H.C. CANTERI 21 JAN 2015	MATERIAL -		FINISH -
TOLERANCES UNLESS OTHERWISE SPECIFIED:		CHK W.L. STEFANI 21 JAN 2015	TE Connectivity		
0 PLC ±-		PRODUCT SPEC -			
1 PLC ±0,4		APVD -	SIZE A4	CAGE CODE -	DRAWING NO C-280002
2 PLC ±-		APPLICATION SPEC -	RESTRICTED TO -		
3 PLC ±-		WEIGHT -	SCALE 5:1		
4 PLC ±-			SHEET 1 OF 1		REV T5
ANGLES ±-			CUSTOMER DRAWING		