



Chipsmall Limited consists of a professional team with an average of over 10 year of expertise in the distribution of electronic components. Based in Hongkong, we have already established firm and mutual-benefit business relationships with customers from,Europe,America and south Asia,supplying obsolete and hard-to-find components to meet their specific needs.

With the principle of “Quality Parts,Customers Priority,Honest Operation,and Considerate Service”,our business mainly focus on the distribution of electronic components. Line cards we deal with include Microchip,ALPS,ROHM,Xilinx,Pulse,ON,Everlight and Freescale. Main products comprise IC,Modules,Potentiometer,IC Socket,Relay,Connector.Our parts cover such applications as commercial,industrial, and automotives areas.

We are looking forward to setting up business relationship with you and hope to provide you with the best service and solution. Let us make a better world for our industry!



Contact us

Tel: +86-755-8981 8866 Fax: +86-755-8427 6832

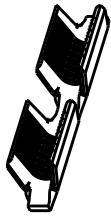
Email & Skype: info@chipsmall.com Web: www.chipsmall.com

Address: A1208, Overseas Decoration Building, #122 Zhenhua RD., Futian, Shenzhen, China

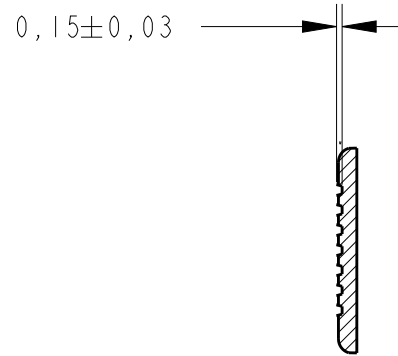
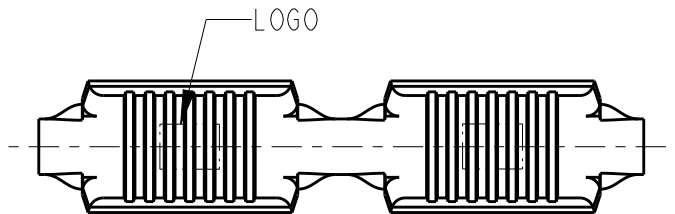


REVISIONS

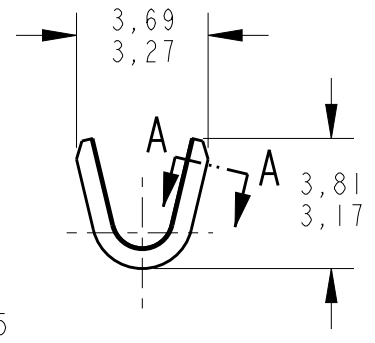
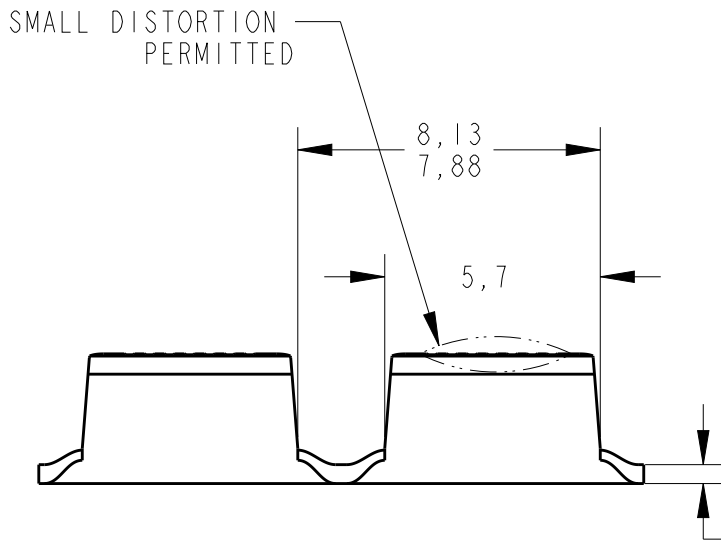
P	LTR	DESCRIPTION	DATE	DWN	APVD
	R2	REDRAWN AND REVISED BY ECO 16-010925	25JULY2016	HC	WLS



SCALE 2:1



SECTION A - A



0,50±0,05

⚠ -NOT FOR USE WITH ALUMINUM MAGNET WIRE,
USE WITH COPPER MAGNET WIRE ONLY.

WIRE RANGE
600-3000 CMA

TIN-PLATED	BRASS	280005-2
—	BRASS	280005-1 ⚠
FINISH	MATERIAL	PART NUMBER

RELEASED FOR PUBLICATION

ALL RIGHTS RESERVED.

THIS DRAWING IS UNPUBLISHED.

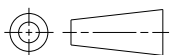
© COPYRIGHT copyright_date

DIMENSIONS:

mm

TOLERANCES UNLESS OTHERWISE SPECIFIED:

0 PLC	±-
1 PLC	±0,2
2 PLC	±0,4
3 PLC	±-
4 PLC	±-
ANGLES	±-



DWN H.C. CANTERI 20JAN2015

CHK W.L. STEFANI 22JAN2015

APVD -

PRODUCT SPEC -

APPLICATION SPEC -

WEIGHT -

MATERIAL -

FINISH -



TE Connectivity

NAME AMPLIVAR SPLICE

SIZE	CAGE CODE	DRAWING NO	RESTRICTED TO
A 4		C-280005	-

CUSTOMER DRAWING

SCALE 5:1 SHEET 1 OF 1 REV R2