



Chipsmall Limited consists of a professional team with an average of over 10 year of expertise in the distribution of electronic components. Based in Hongkong, we have already established firm and mutual-benefit business relationships with customers from,Europe,America and south Asia,supplying obsolete and hard-to-find components to meet their specific needs.

With the principle of "Quality Parts,Customers Priority,Honest Operation,and Considerate Service",our business mainly focus on the distribution of electronic components. Line cards we deal with include Microchip,ALPS,ROHM,Xilinx,Pulse,ON,Everlight and Freescale. Main products comprise IC,Modules,Potentiometer,IC Socket,Relay,Connector.Our parts cover such applications as commercial,industrial, and automotives areas.

We are looking forward to setting up business relationship with you and hope to provide you with the best service and solution. Let us make a better world for our industry!



## Contact us

Tel: +86-755-8981 8866 Fax: +86-755-8427 6832

Email & Skype: info@chipsmall.com Web: www.chipsmall.com

Address: A1208, Overseas Decoration Building, #122 Zhenhua RD., Futian, Shenzhen, China

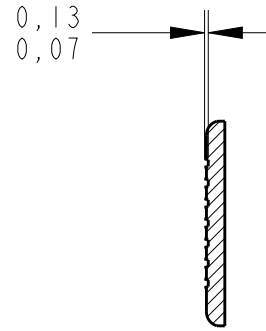
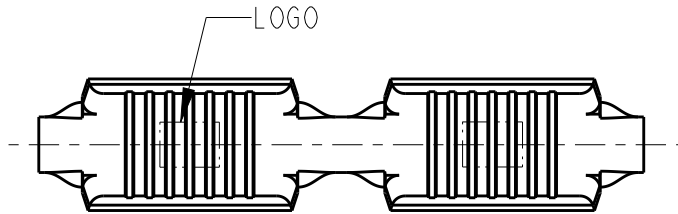


REVISIONS

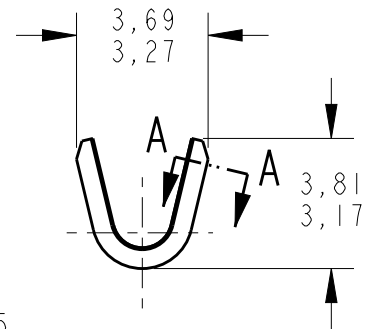
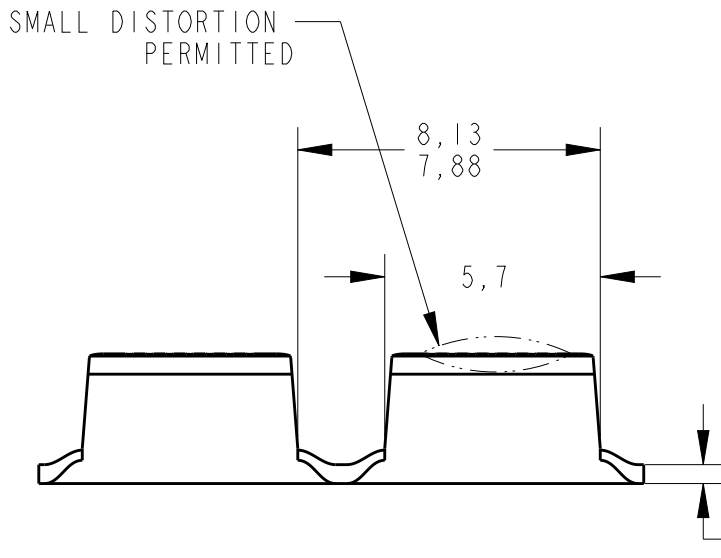
P	LTR	DESCRIPTION	DATE	DWN	APVD
	RI	REDRAWN AND REV. BY ECO16-005110	12JULY2016	HC	WLS



SCALE 2:1



SECTION A-A



0,50±0,05

⚠ -NOT FOR USE WITH ALUMINUM MAGNET WIRE,  
USE WITH COPPER MAGNET WIRE ONLY.

WIRE RANGE  
600-3000 CMA

TIN PLATED	BRASS	280007-2
—	BRASS	280007-1 ⚠
FINISH	MATERIAL	PART NUMBER

RELEASED FOR PUBLICATION

ALL RIGHTS RESERVED.

THIS DRAWING IS UNPUBLISHED.

© COPYRIGHT copyright\_date

DIMENSIONS: mm	DWN H.C. CANTERI	20JAN2015	MATERIAL	-	FINISH	-
	CHK W.L. STEFANI	22JAN2015				
TOLERANCES UNLESS OTHERWISE SPECIFIED:	APVD	-				
0 PLC ±-	PRODUCT SPEC	-	NAME AMPLIVAR SPLICE			
1 PLC ±0,4	APPLICATION SPEC	-	SIZE	CAGE CODE	DRAWING NO	RESTRICTED TO
2 PLC ±-	WEIGHT	-	A4		C-280007	-
3 PLC ±-			CUSTOMER DRAWING			
4 PLC ±-			SCALE	SHEET	OF	REV
ANGLES ±-			5:1	1	1	RI