



Chipsmall Limited consists of a professional team with an average of over 10 year of expertise in the distribution of electronic components. Based in Hongkong, we have already established firm and mutual-benefit business relationships with customers from,Europe,America and south Asia,supplying obsolete and hard-to-find components to meet their specific needs.

With the principle of "Quality Parts,Customers Priority,Honest Operation,and Considerate Service",our business mainly focus on the distribution of electronic components. Line cards we deal with include Microchip,ALPS,ROHM,Xilinx,Pulse,ON,Everlight and Freescale. Main products comprise IC,Modules,Potentiometer,IC Socket,Relay,Connector.Our parts cover such applications as commercial,industrial, and automotives areas.

We are looking forward to setting up business relationship with you and hope to provide you with the best service and solution. Let us make a better world for our industry!



Contact us

Tel: +86-755-8981 8866 Fax: +86-755-8427 6832

Email & Skype: info@chipsmall.com Web: www.chipsmall.com

Address: A1208, Overseas Decoration Building, #122 Zhenhua RD., Futian, Shenzhen, China




VAL-SQ SI 100-120/240S

Order No.: 2800325



<http://eshop.phoenixcontact.de/phoenix/treeViewClick.do?UID=2800325>

100 kA surge protection device for 120/240 V AC single/split phase configurations with separate Gnd and N conductors. Uses a compact, NEMA 4X-rated enclosure that connects easily to an existing enclosure.

Commercial data	
GTIN (EAN)	 4 046356 564939
Note	Made-to-order
sales group	J103
Pack	1 pcs.
Customs tariff	85363090
Catalog page information	Page 79 (TT-2011)

Product notes

WEEE/RoHS-compliant since:
02/21/2010



<http://www.download.phoenixcontact.com>
Please note that the data given here has been taken from the online catalog. For comprehensive information and data, please refer to the user documentation. The General Terms and Conditions of Use apply to Internet downloads.

Product description

100 kA Type 1 surge protective device for single and split phase systems with separate Gnd and N

Technical data

Standards

Housing material	Non-metallic
Degree of protection	NEMA 4X
Mounting type	1/2 inch NPT male
Design	MOV
Ambient temperature (operation)	-40 °C ... 70 °C
Altitude	3658 m
Message: Surge protection fault	Optical
Width	76.00 mm
Height	91.00 mm

Protective circuit

Arrester rated voltage U_c	150 V
------------------------------	-------

Connection, protective circuit

Connection method	#12 AWG wires / 24 in. (61 cm)
-------------------	--------------------------------

NEMA / UL data

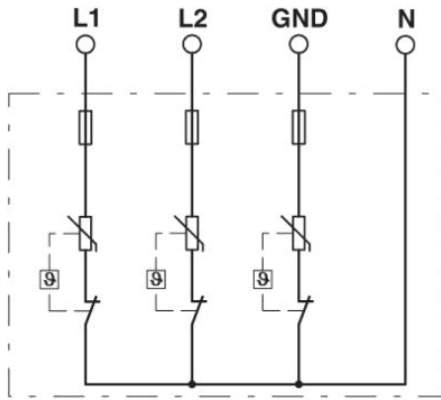
UL type	type 1
Nominal discharge current I_n (without reference direction)	10 kA
Maximum Surge Current per Phase	100 kA
Short-circuit current rating (SCCR)	25 kA

Environmental conditions

Standards/regulations	UL 1449 3 rd edition, Sept. 2009
	UL 1283
	IEEE C62.41
	IEEE C62.45

Diagrams/Drawings

Circuit diagram



Address

PHOENIX CONTACT Inc., USA
586 Fulling Mill Road
Middletown, PA 17057, USA
Phone (800) 888-7388
Fax (717) 944-1625
<http://www.phoenixcon.com>



© 2011 Phoenix Contact
Technical modifications reserved;