



Chipsmall Limited consists of a professional team with an average of over 10 year of expertise in the distribution of electronic components. Based in Hongkong, we have already established firm and mutual-benefit business relationships with customers from,Europe,America and south Asia,supplying obsolete and hard-to-find components to meet their specific needs.

With the principle of “Quality Parts,Customers Priority,Honest Operation,and Considerate Service”,our business mainly focus on the distribution of electronic components. Line cards we deal with include Microchip,ALPS,ROHM,Xilinx,Pulse,ON,Everlight and Freescale. Main products comprise IC,Modules,Potentiometer,IC Socket,Relay,Connector.Our parts cover such applications as commercial,industrial, and automotives areas.

We are looking forward to setting up business relationship with you and hope to provide you with the best service and solution. Let us make a better world for our industry!



Contact us

Tel: +86-755-8981 8866 Fax: +86-755-8427 6832

Email & Skype: info@chipsmall.com Web: www.chipsmall.com

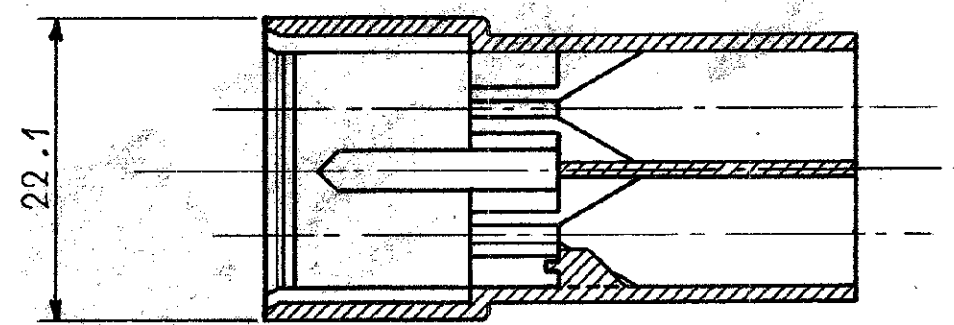
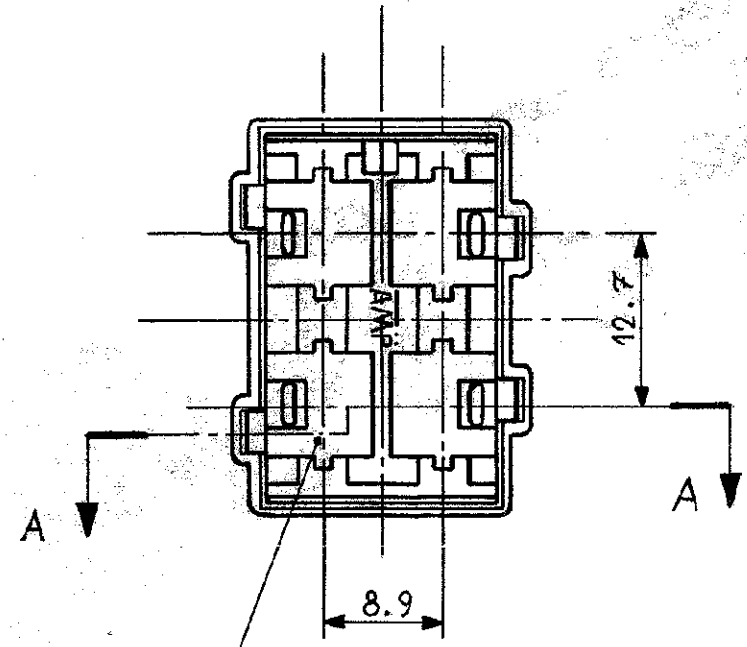
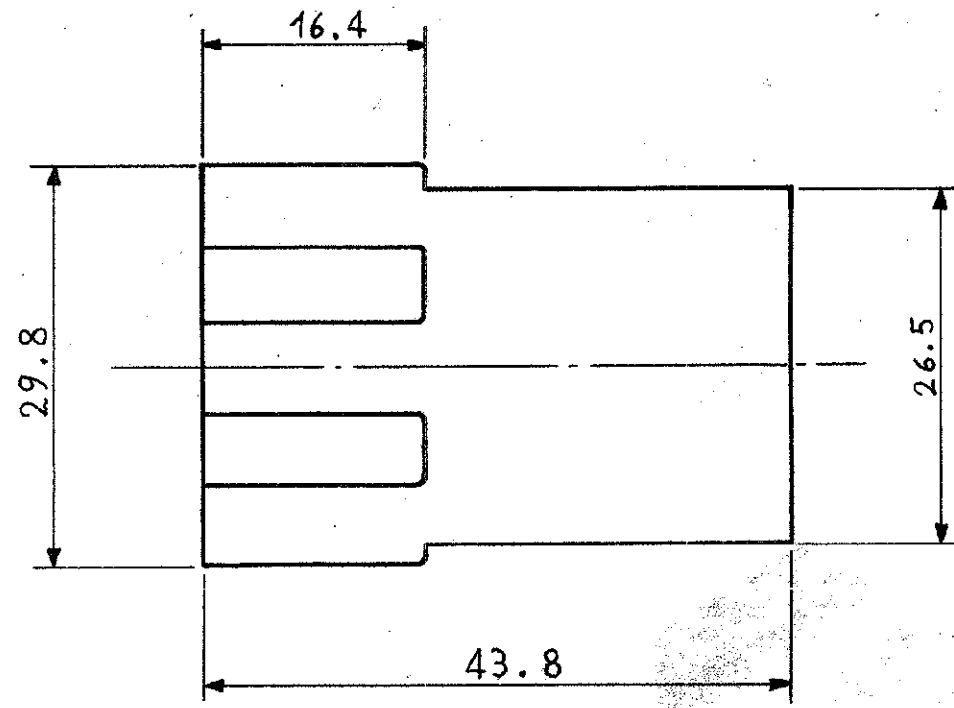
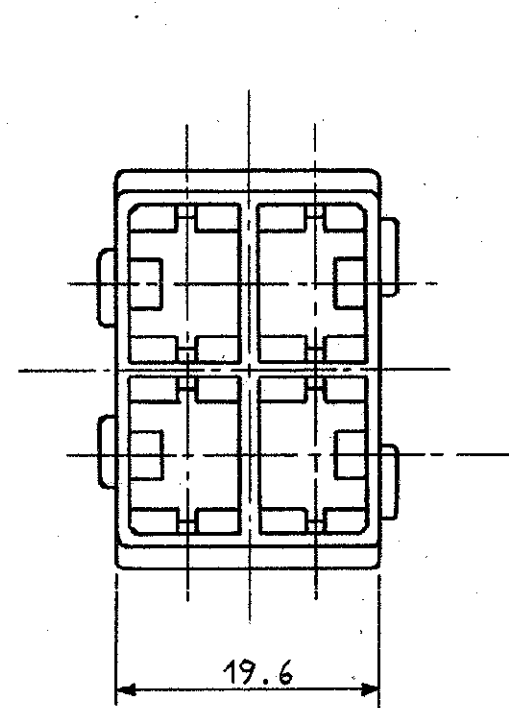
Address: A1208, Overseas Decoration Building, #122 Zhenhua RD., Futian, Shenzhen, China



SCALA NON IMPEGNATIVA
(DO NOT SCALE)
DIMENSIONI IN mm
DIMENSIONS IN mm

METRIC

PROIEZIONE EUROPEA
(EUROPEAN PROJECTION)



SEZ. A-A

4 TIPICHE LAVITA' PER
CONTATTI AMP FASTIN-FASTON
SERIE .375"

(TYPICAL CAVITIES SUITABLE
FOR FASTIN-FASTON TAB
TERM. .375" Sr.)

NATUR (CLEAR)	POLIAMMIDE 6.6 NAT. (PA 6.6 UNFILLED)	280072-0
FINITURA / COLORE (FINISH / COLOUR)	MATERIALE (MATERIAL)	NUMERO (PART NUMBER)

CUSTOMER DWG. FOR REFERENCE ONLY **DISEGNO PER CLIENTE SOLO PER RIFERIMENTO**

THIS DRAWING IS UNPUBLISHED RELEASE FOR PUBLICATION 19

TOLLERANZE: SE NON DIVERSAMENTE SPECIFICATO (TOLERANCES UNLESS OTHERWISE SPECIFIED)	DIAM. ISOLANTE (INS. DIA. RANGE)	RANGO FILO (WIRE RANGE)	SCALA (SCALE)
± 0,4			
ANGOLI (ANGLES) ± 2°	TE TE Connectivity		

DIS. (DR.) C. TARTARI 27-4-71	DESCRIZIONE (DESCRIPTION) 4 WAY FASTIN-ON TAB .375 SERIES - HOUSING -
CONT. (CHK) F. TREVISOLO 7-5-71	

REV.	REVISIONI (REVISION RECORD)	DIS. (DR.)	DATA (DATE)
F1	REVISED PER ECO-11-005294	RK	13APR 11

LOC. I	SIZE A3	NUMERO (DWG NO) C-280072	REV. F1	FOGLIO (SHEET) 1 OF 1
--------	---------	--------------------------	---------	-----------------------

DISTRIBUZIONE (PRINT DIST.)