



Chipsmall Limited consists of a professional team with an average of over 10 year of expertise in the distribution of electronic components. Based in Hongkong, we have already established firm and mutual-benefit business relationships with customers from,Europe,America and south Asia,supplying obsolete and hard-to-find components to meet their specific needs.

With the principle of “Quality Parts,Customers Priority,Honest Operation,and Considerate Service”,our business mainly focus on the distribution of electronic components. Line cards we deal with include Microchip,ALPS,ROHM,Xilinx,Pulse,ON,Everlight and Freescale. Main products comprise IC,Modules,Potentiometer,IC Socket,Relay,Connector.Our parts cover such applications as commercial,industrial, and automotives areas.

We are looking forward to setting up business relationship with you and hope to provide you with the best service and solution. Let us make a better world for our industry!



## Contact us

Tel: +86-755-8981 8866 Fax: +86-755-8427 6832

Email & Skype: info@chipsmall.com Web: www.chipsmall.com

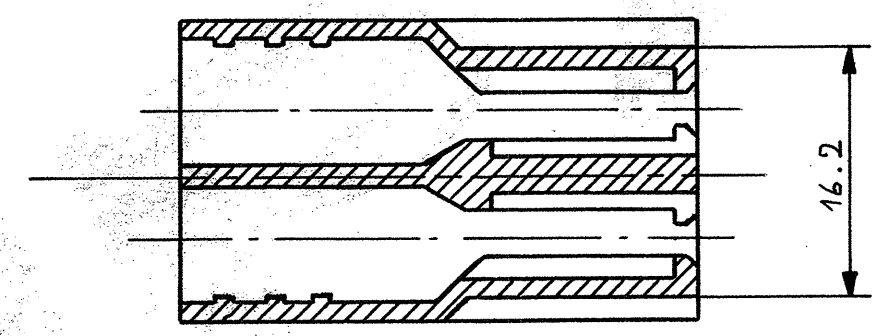
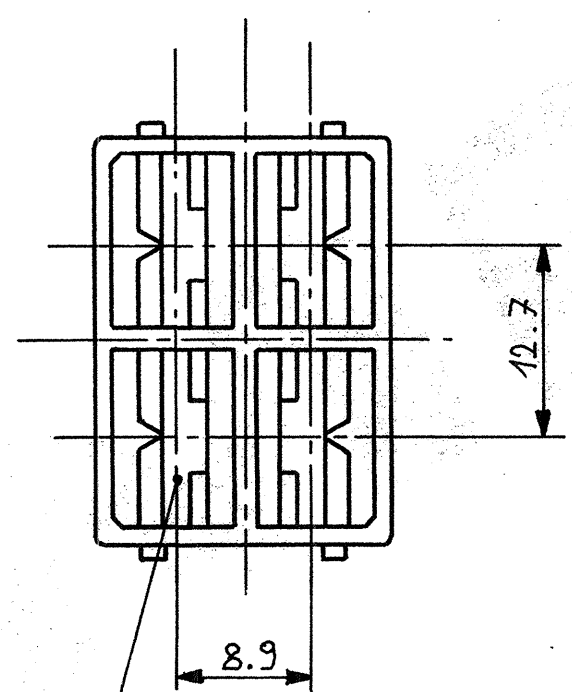
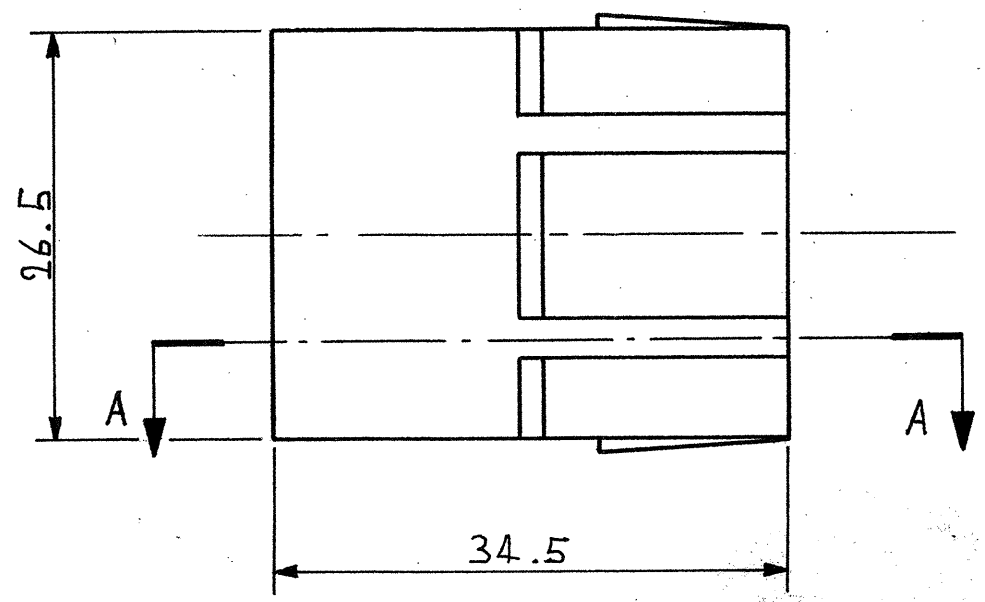
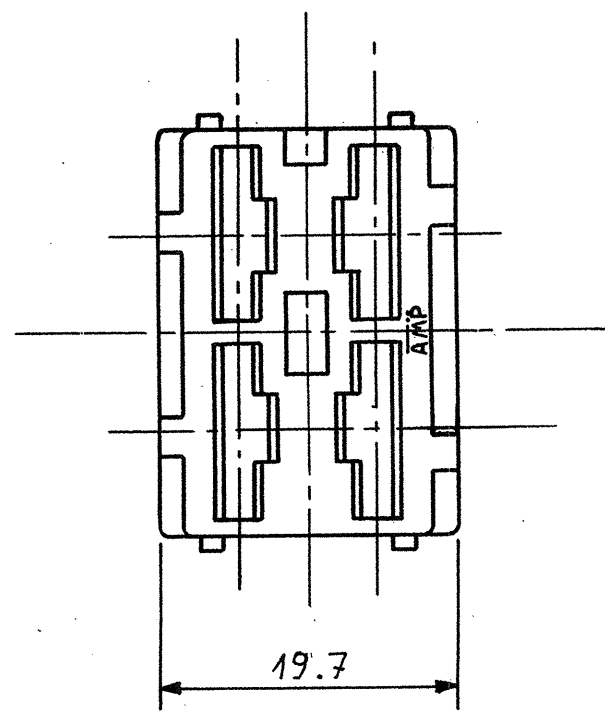
Address: A1208, Overseas Decoration Building, #122 Zhenhua RD., Futian, Shenzhen, China



SCALA NON IMPEGNATIVA  
(DO NOT SCALE)  
DIMENSIONI IN mm  
DIMENSIONS IN mm

**METRIC**

PROIEZIONE EUROPEA  
(EUROPEAN PROJECTION)



SEZ. A-A

4 TIPICHE CAVITA' PER  
CONTATTI AMP FASTIN-FASTON  
SERIE .375"  
  
(TYPICAL CAVITIES SUITABLE  
FOR FASTIN-FASTON REC.  
TERM. .375" St.)

NATUR (CLEAR)	POLIAMMIDE 6.6 NAT. (PA 6.6 UNFILLED)	280073-0
FINITURA / COLORE (FINISH / COLOUR)	MATERIALE (MATERIAL)	NUMERO (PART NUMBER)
<b>CUSTOMER DWG.</b> FOR REFERENCE ONLY		<b>DISEGNO PER CLIENTE</b> SOLO PER RIFERIMENTO
THIS DRAWING IS UNPUBLISHED		RELEASE FOR PUBLICATION 19
© COPYRIGHT 19 BY AMP INCORPORATED, HARRISBURG, PA ALL INTERNATIONAL RIGHT RESERVED AMP PRODUCTS MAY BE COVERED BY U.S. AND FOREIGN PATENT AND/OR PATENT PENDING.		
TOLLERANZE: SE NON DIVERSAMENTE SPECIFICATO (TOLERANCES UNLESS OTHERWISE SPECIFIED)	DIAM. ISOLANTE (INS. DIA. RANGE)	RANGO FILO (WIRE RANGE)
± 0,4		
ANGOLI (ANGLES) ± 2°	<b>AMP</b> AMP ITALIA S.p.A. Corso F.lli Cervi, 15 COLLEGNO (TORINO)	
DIS. (DR.) C. TARTARI 27-4-71	DESCRIZIONE (DESCRIPTION) 4 WAY FASTIN-ON RECEPTACLE .375 SERIES HOUSING	
CONT. (CHK) F. TREVISIOLO 7-5-71	LOC. SIZE NUMERO (DWG NO)	REV. FOGLIO (SHEET)
APP. (APP.)	IA3 C- 280073	F 1 DI 1

REV.	REVISIONI (REVISION RECORD)	DIS. DATA (DR) (DATE)
F	RIDISEGNATO SENZA VARIAZIONI	COSTA 23-5-71
E	RIVISTO	E.B. 02-9-71
D	ELIMINATA UNA VERTICE PER POLARIZZ.	TREVISIOLO 21-9-71
C	BENESTARE PER LA PRODUZ.	TARTARI 27-4-71

DISTRIBUZIONE  
(PRINT DIST.)