



Chipsmall Limited consists of a professional team with an average of over 10 year of expertise in the distribution of electronic components. Based in Hongkong, we have already established firm and mutual-benefit business relationships with customers from,Europe,America and south Asia,supplying obsolete and hard-to-find components to meet their specific needs.

With the principle of “Quality Parts,Customers Priority,Honest Operation,and Considerate Service”,our business mainly focus on the distribution of electronic components. Line cards we deal with include Microchip,ALPS,ROHM,Xilinx,Pulse,ON,Everlight and Freescale. Main products comprise IC,Modules,Potentiometer,IC Socket,Relay,Connector.Our parts cover such applications as commercial,industrial, and automotives areas.

We are looking forward to setting up business relationship with you and hope to provide you with the best service and solution. Let us make a better world for our industry!



Contact us

Tel: +86-755-8981 8866 Fax: +86-755-8427 6832

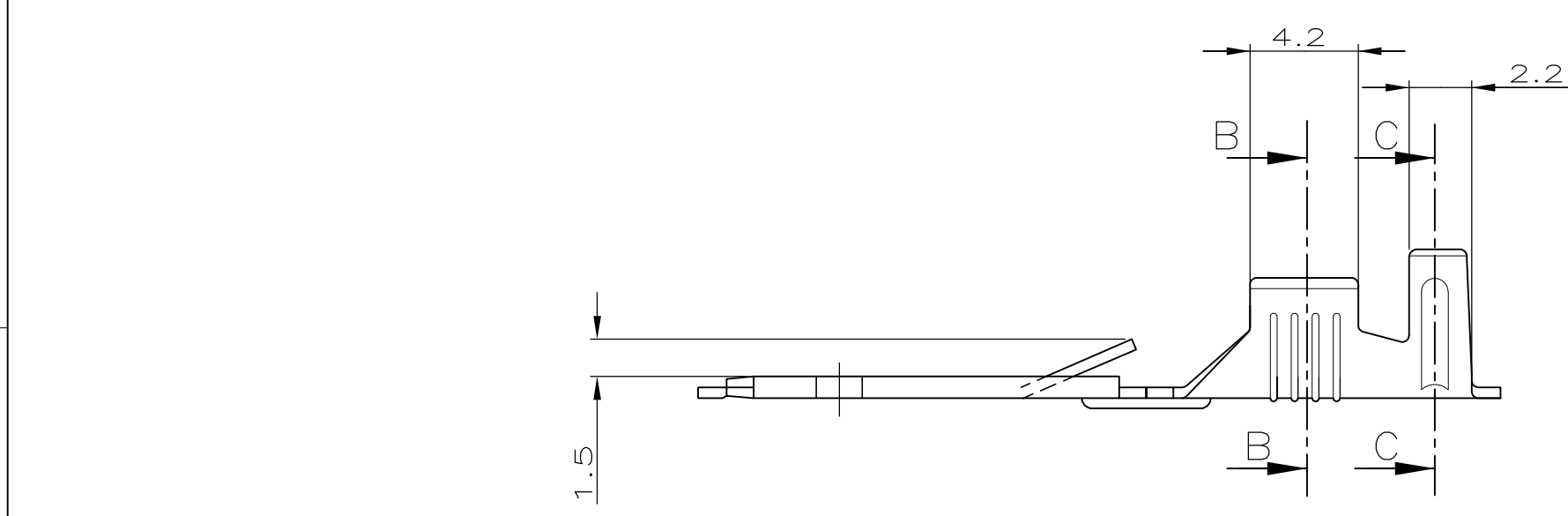
Email & Skype: info@chipsmall.com Web: www.chipsmall.com

Address: A1208, Overseas Decoration Building, #122 Zhenhua RD., Futian, Shenzhen, China

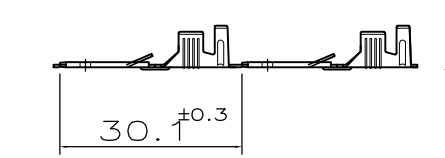


THIS DRAWING IS UNPUBLISHED. RELEASED FOR PUBLICATION
 © COPYRIGHT - By - ALL RIGHTS RESERVED.

LOC	DIST	REVISIONS			
P	LTR	DESCRIPTION	DATE	DWN	APVD
	AA	CHANGED PACK. ET00-0010-05	21JAN2005	H.Y.	-
	AA1	REV PER ECO-09-021510	03SEP09	KK	AEG
	AA2	ECR-10-022530	07JAN11	KK	HMR



1) STATO DI FORNITURA (SCALA 1:1)
 (SUPPLY CONDITION, Scale 1:1)

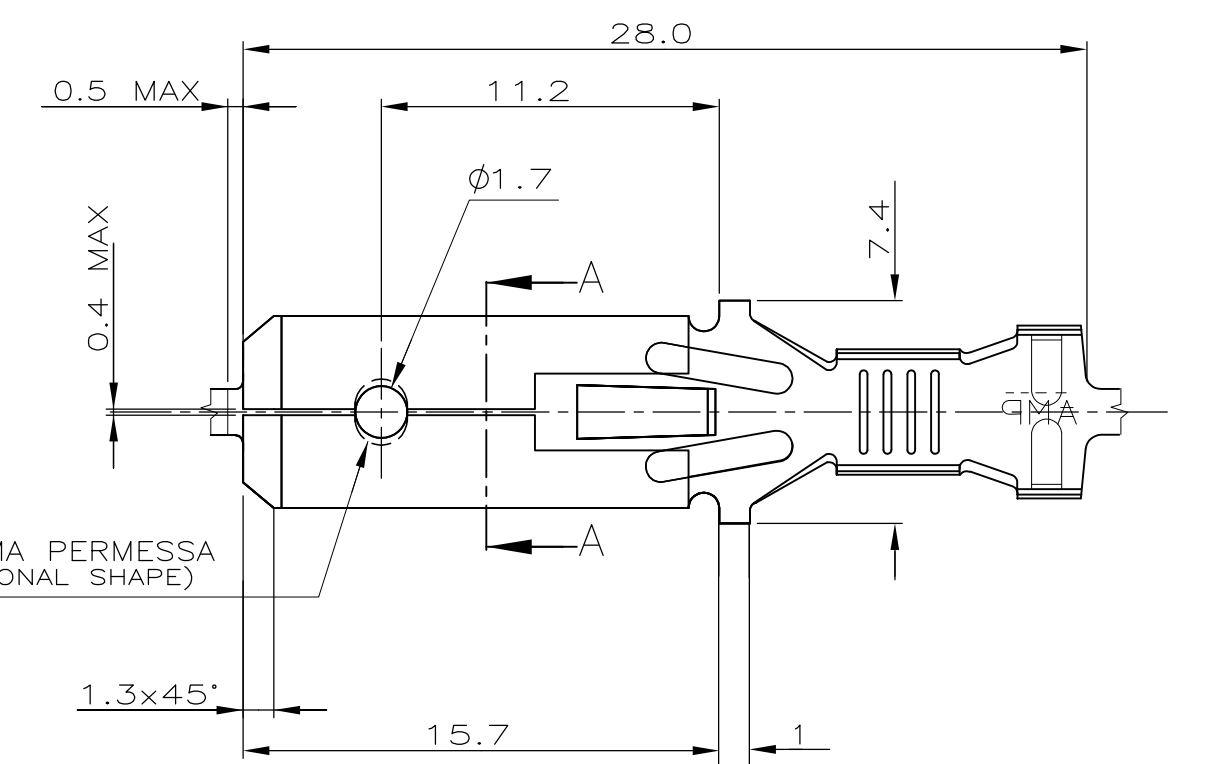
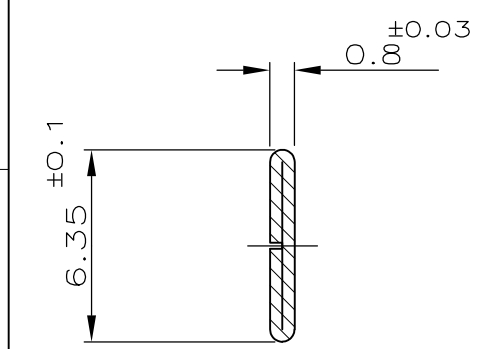


SENSO DI USCITA DEL TERMINALE DALLA BOBINA
 (DIRECTION OFF TOP OF REEL)

2) SPECIFICA DI PRODOTTO : 108-20020
 (PRODUCT SPECIFICATION : 108-20020)

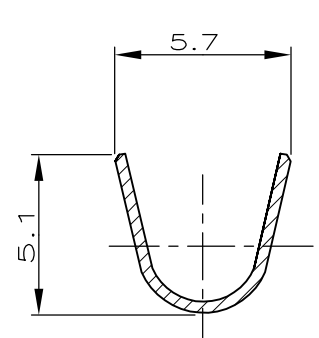
- 3 BOBINATO SU BOBINA 10"1/2 CON CARTA INTERPOSTA
 (REELED ON 10"1/2 CARTON TYPE REEL WITH INTERLEAVE PAPER STRIP)
- 4 BOBINATO SU BOBINA 12" CON CARTA INTERPOSTA
 (REELED ON 12" CARTON TYPE REEL WITH INTERLEAVE PAPER STRIP)
- 5 BOBINATO SU BOBINA 10"1/2
 (REELED ON 10"1/2 CARTON TYPE REEL)
- 6 OBSOLETE PARTS: OBSOLETE CIS STREAMLINING PER D.RENAUD/D.SINISI
- 7 OBSOLETE

SEZIONE A-A
 (SECTION A-A)

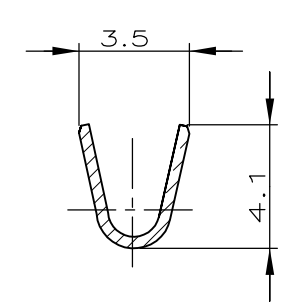


FORMA PERMESSA (OPTIONAL SHAPE)

SEZIONE C-C
 (SECTION C-C)



SEZIONE B-B
 (SECTION B-B)



NOTE (NOTES)	FINITURA (FINISH)	MATERIALE (MATERIAL)	NUMERO (TE P/N)	REV
4 PRE-STAGNATO (PRE-TIN PLATED)	OTTONE (BRASS)	4-280081-2	AA	
3 NUDO (UNPLATED)	OTTONE (BRASS)	1-280081-1	Z	
4 ARGENTATO (SILVER PLATED)	OTTONE (BRASS)	4-280081-0	Z	
3 STAGNATO (TINPLATED)	OTTONE (BRASS)	280081-9	Z	
4 NUDO (UNPLATED)	OTTONE (BRASS)	280081-8	Z	
3 STAGNATO (TINPLATED)	BRONZO FOSF.(PH.BRONZE)	280081-7	Z	
6 OBSOLETE	3 STAGNATO (TINPLATED)	OTTONE (BRASS)	280081-6	Z
6 OBSOLETE	3 STAGNATO (TINPLATED)	BRONZO FOSF.(PH.BRONZE)	280081-4	Z
4 NUDO (UNPLATED)	BRONZO FOSF.(PH.BRONZE)	280081-3	Z	
4 STAGNATO (TINPLATED)	OTTONE (BRASS)	280081-2	Z	
5 NUDO (UNPLATED)	OTTONE (BRASS)	280081-1	Z	

DIAM. ISOLANTE (INS. DIA. RANGE) Ø4 mm.MAX	RANGO FILO (WIRE RANGE) 0.8-2.5mm ²
---	---

THIS DRAWING IS A CONTROLLED DOCUMENT.

DIMENSIONS: mm	TOLERANCES UNLESS OTHERWISE SPECIFIED: ±0.3
0 PLC ± -	1 PLC ± -
2 PLC ± -	3 PLC ± -
4 PLC ± -	ANGLES ± 2'

MATERIAL	FINISH
-	-

DWN R.FABRIS	01-FEB-00
CHK -	-
APVD -	-
PRODUCT SPEC -	-
APPLICATION SPEC -	-
WEIGHT -	-

STE TE Connectivity

FASTIN-FASTON Conn.,.250"sr.
TAB CONTACT

SIZE	CAGE CODE	DRAWING NO	RESTRICTED TO
A3	00779	C-280081	-

CUSTOMER DRAWING SCALE 4:1 SHEET 1 OF 1 REV AA2