



Chipsmall Limited consists of a professional team with an average of over 10 year of expertise in the distribution of electronic components. Based in Hongkong, we have already established firm and mutual-benefit business relationships with customers from,Europe,America and south Asia,supplying obsolete and hard-to-find components to meet their specific needs.

With the principle of “Quality Parts,Customers Priority,Honest Operation,and Considerate Service”,our business mainly focus on the distribution of electronic components. Line cards we deal with include Microchip,ALPS,ROHM,Xilinx,Pulse,ON,Everlight and Freescale. Main products comprise IC,Modules,Potentiometer,IC Socket,Relay,Connector.Our parts cover such applications as commercial,industrial, and automotives areas.

We are looking forward to setting up business relationship with you and hope to provide you with the best service and solution. Let us make a better world for our industry!



Contact us

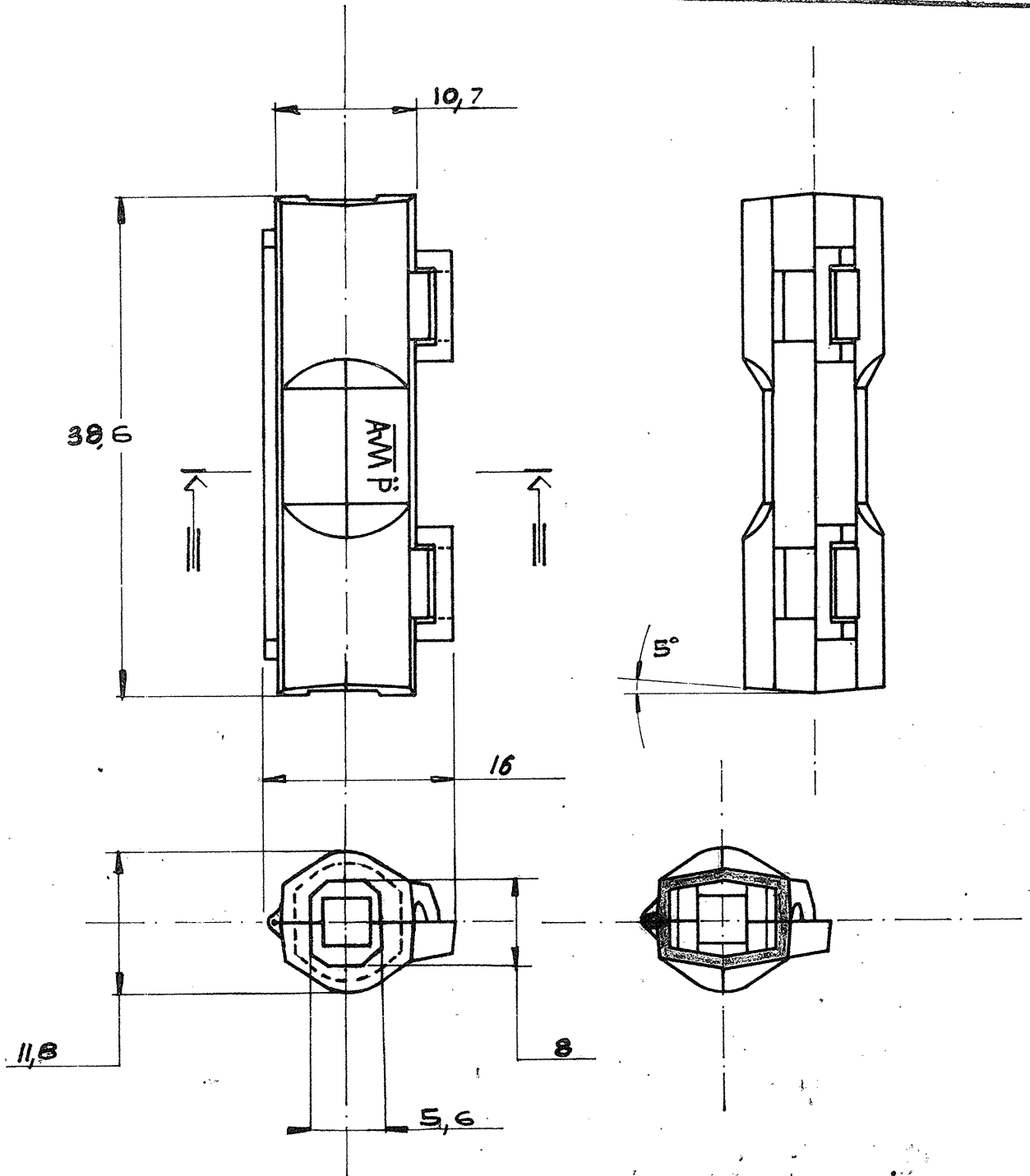
Tel: +86-755-8981 8866 Fax: +86-755-8427 6832

Email & Skype: info@chipsmall.com Web: www.chipsmall.com

Address: A1208, Overseas Decoration Building, #122 Zhenhua RD., Futian, Shenzhen, China



NUMBER
C. 280089



DIMENSIONS IN mm DO NOT SCALE PRINT

PRINT DIST

					© 1970 BY AMP INCORPORATED. ALL RIGHTS RESERVED. AMP PRODUCTS COVERED BY PATENTS AND/OR PATENTS PENDING.		CUSTOMER COPY REFERENCE ONLY	
					MATERIAL AND FINISH		AMP - ITALI CORSO PESCHIERA 2 TORINO - ITALI	
G	Rivisto	ES.		2-1	84	Poliammide 6.6 Nat.		AMP
F	REVISIONATO				27/70			
E	REVISIONATO				21/70			CLASS
D	REV. & RIED.	Jg.			27/70			TYPE
LTR	REVISION RECORD	DR	CHK	DATE	WIRE — RANGE — INSULATION			
DR	G. Fornicis 27 MAY 70	DE			TOLERANCE EXCEPT AS NOTED	SCALE	LOC	NO
CHK	MIL BONATI 27 MAY 70	APP			± 0,4 ± 1° 0'	2:1	2	A
					NAME		C. 280089	
					POST INSULATING		SLEEVE	