



Chipsmall Limited consists of a professional team with an average of over 10 year of expertise in the distribution of electronic components. Based in Hongkong, we have already established firm and mutual-benefit business relationships with customers from,Europe,America and south Asia,supplying obsolete and hard-to-find components to meet their specific needs.

With the principle of “Quality Parts,Customers Priority,Honest Operation,and Considerate Service”,our business mainly focus on the distribution of electronic components. Line cards we deal with include Microchip,ALPS,ROHM,Xilinx,Pulse,ON,Everlight and Freescale. Main products comprise IC,Modules,Potentiometer,IC Socket,Relay,Connector.Our parts cover such applications as commercial,industrial, and automotives areas.

We are looking forward to setting up business relationship with you and hope to provide you with the best service and solution. Let us make a better world for our industry!



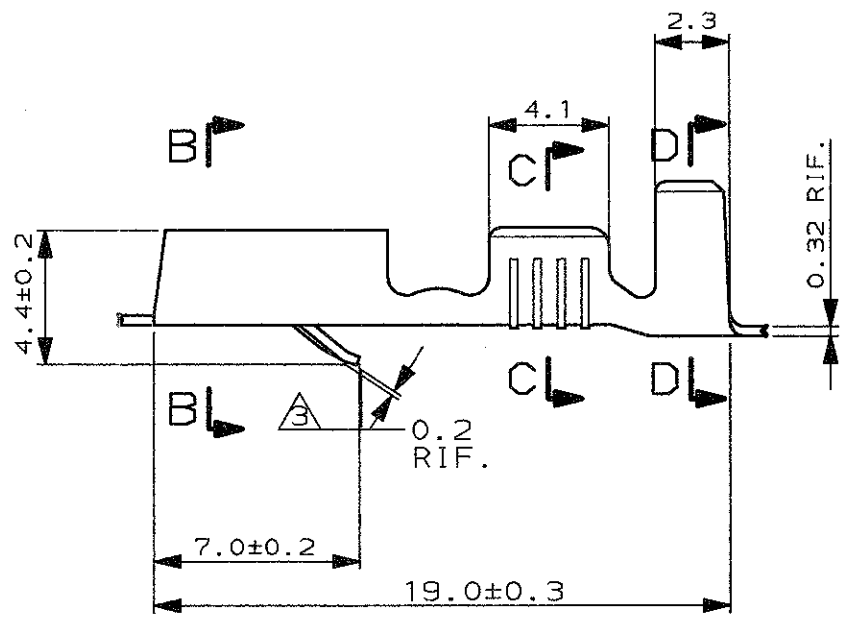
Contact us

Tel: +86-755-8981 8866 Fax: +86-755-8427 6832

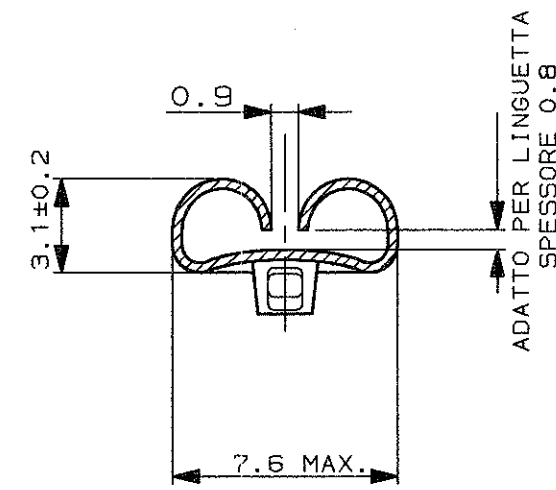
Email & Skype: info@chipsmall.com Web: www.chipsmall.com

Address: A1208, Overseas Decoration Building, #122 Zhenhua RD., Futian, Shenzhen, China

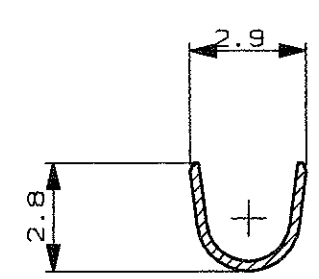




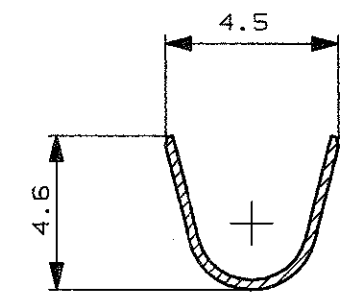
SEZIONE B-B



SEZIONE C-C

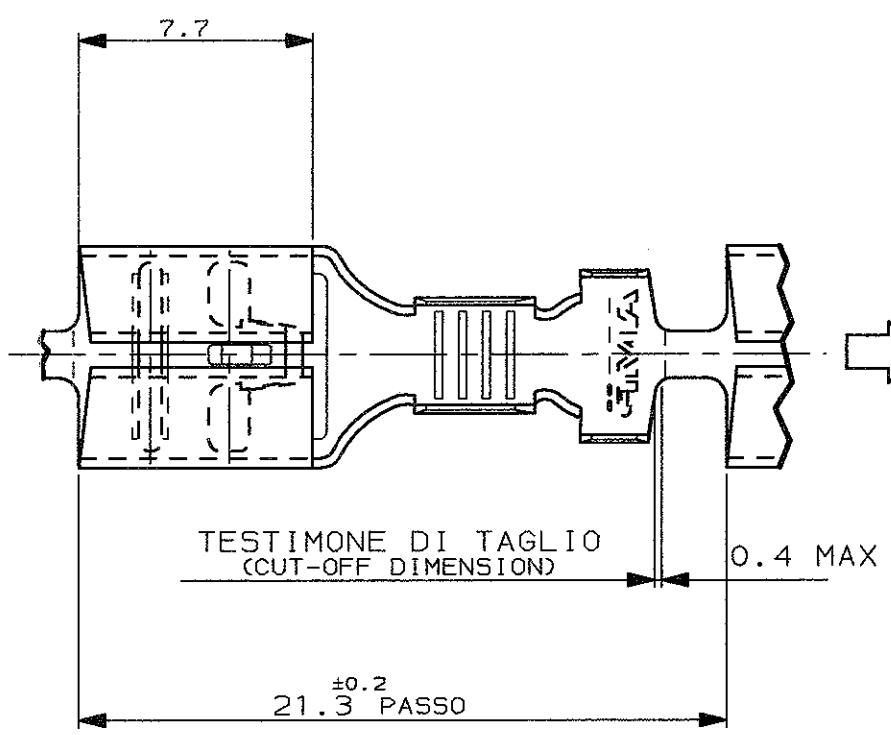


SEZIONE D-D



1) SPECIFICA DI PRODOTTO : 108-20020 ; SPECIFICA DI APPLICAZIONE : 114-20021
(PRODUCT SPEC. : 108-20020 ; APPLICATION SPEC. : 114-20021)

- 2 BOBINATO SU BOBINA DA 12" IN CARTONE CON CARTA INTERPOSTA
(CREELED ON 12" CARTON TYPE REEL WITH INTERLAYER PAPER STRIP)
- 3 NERVATURA DI RINFORZO
(BEAT IN LOCKING LANCE)
- 4 ADATTO PER APPLICAZIONI AD ELEVATA FORZA DI ESTRAZIONE
(SUITABLE FOR HIGH EXTRACTION FORCE APPLICATION)
- 5 OBSOLETE PARTS: OBSOLETE CIS STREAMLINING PER D.RENAUD/D.SINISI



STATO DI FORNITURA -SCALA 1:1



5 OBSOLETE	NUDO	OTTONE	280095-6
	NUDO	BR.FOSFOROSO	280095-3
5 OBSOLETE	PRE-STAGNATO	OTTONE	280095-2
	NUDO	OTTONE	280095-1
	FINITURA / COLORE (FINISH / COLOUR)	MATERIALE (MATERIAL)	NUMERO (PART NUMBER)

CUSTOMER DWG. FOR REFERENCE ONLY		DISEGNO PER CLIENTE SOLO PER RIFERIMENTO	
THIS DRAWING IS UNPUBLISHED		RELEASE FOR PUBLICATION 19	
© COPYRIGHT 19 BY AMP INCORPORATED, HARRISBURG, PA. ALL INTERNATIONAL RIGHT RESERVED. AMP PRODUCTS MAY BE COVERED BY U.S. AND FOREIGN PATENT AND/OR PATENT PENDING			
TOLLERANZE, SE NON DIVERSAMENTE SPECIFICATO (TOLERANCES, UNLESS OTHERWISE SPECIFIED)	DIAM. ISOLANTE (INS. DIA. RANGE)	RANGO FILO (WIRE RANGE)	SCALA (SCALE)
± 0.3	DIA 3.3 MAX.	0.3-0.8 mm ²	4:1
ANGOLI (ANGLES)	AMP ITALIA S.p.A. Corso F.lli Cervi, 15 COLLEGNO (TORINO)		
DIS. 6 GIUGNO 91 (DR.) VERGANO P.		DESCRIZIONE (DESCRIPTION) FASTIN-FASTON® Connector, .250"sr. REC. CONTACT	
P2 ECO-09-026346	KK	26 NOV 2009	
P1 ACTIVATED DASH 6 ET00-0249-00	H.Y.	22 SEP 2000	CONT. - (CHK) -
P CHANGED RAW MAT'L. PACKAGING ET00-0050-00	R.F.	31-05 2000	
REV. REVISIONI (REVISION RECORD)	DIS. DATA (DR) (DATE)	APP. DATA (APP.) (DATE)	
LOC. SIZE NUMERO (DWG NO)		REV.	FOGLIO (SHEET)
I A3 C-280095		P2	1 DI 1 (OF)