



Chipsmall Limited consists of a professional team with an average of over 10 year of expertise in the distribution of electronic components. Based in Hongkong, we have already established firm and mutual-benefit business relationships with customers from,Europe,America and south Asia,supplying obsolete and hard-to-find components to meet their specific needs.

With the principle of “Quality Parts,Customers Priority,Honest Operation,and Considerate Service”,our business mainly focus on the distribution of electronic components. Line cards we deal with include Microchip,ALPS,ROHM,Xilinx,Pulse,ON,Everlight and Freescale. Main products comprise IC,Modules,Potentiometer,IC Socket,Relay,Connector.Our parts cover such applications as commercial,industrial, and automotives areas.

We are looking forward to setting up business relationship with you and hope to provide you with the best service and solution. Let us make a better world for our industry!



Contact us

Tel: +86-755-8981 8866 Fax: +86-755-8427 6832

Email & Skype: info@chipsmall.com Web: www.chipsmall.com

Address: A1208, Overseas Decoration Building, #122 Zhenhua RD., Futian, Shenzhen, China



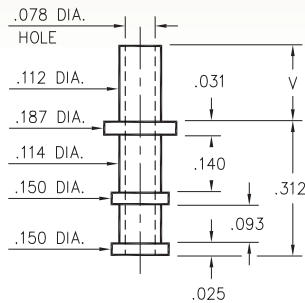
MALE PCB PINS

SOLDER TERMINAL TURRETS

2802

2802-X-00-XX-00-00-07-0

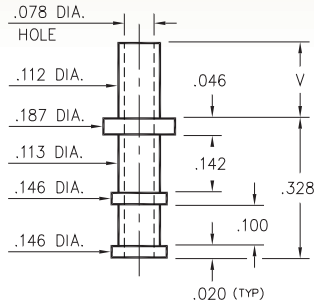
Swage mount in .118 hole



2804

2804-X-00-XX-00-00-07-0

Swage mount in .118 hole

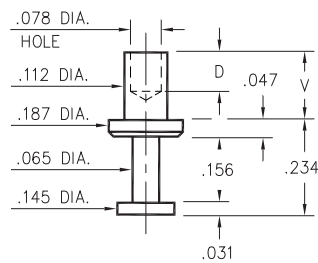


Basic Part Number	Board Thickness	Length V
280X-1	.031	.078
280X-2	.062	.109
280X-3	.094	.140
280X-4	.125	.171

2805

2805-X-00-XX-00-00-07-0

Swage mount in .116 hole

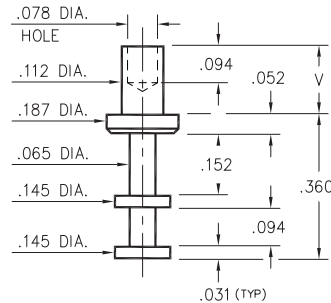


Basic Part Number	Board Thickness	Length V	Depth D
2805-1	.031	.074	.068
2805-2	.062	.105	.098
2805-3	.094	.135	.098
2805-4	.125	.165	.098

2801

2801-X-00-XX-00-00-07-0

Swage mount in .116 hole

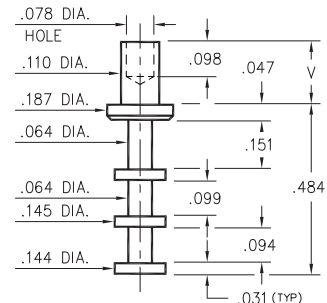


Basic Part Number	Board Thickness	Length V
2801-1	.031	.078
2801-2	.062	.109
2801-3	.094	.141
2801-4	.125	.172
2801-5	.188	.234

2806

2806-X-00-XX-00-00-07-0

Swage mount in .116 hole

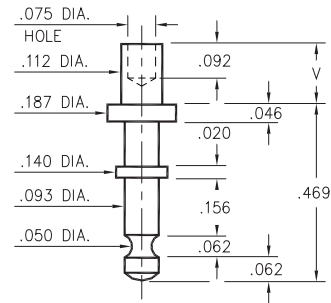


Basic Part Number	Board Thickness	Length V
2806-1	.031	.078
2806-2	.062	.109
2806-3	.094	.141
2806-4	.125	.172

2811

2811-X-00-XX-00-00-07-0

Swage mount in .116 hole



Basic Part Number	Board Thickness	Length V
2811-1	.031	.075
2811-2	.062	.105
2811-3	.094	.135
2811-4	.125	.165

SPECIFICATIONS:

Pin Material: Brass Alloy 360, 1/2 Hard
(Swage pins are annealed)

Dimensions: Inches

Tolerances On: Lengths: ±.005
Diameters: ±.002
Angles: ± 2°



ORDER CODE: XXXX - X - 00 - XX - 00 - 00 - 07 - 0

BASIC PART #

SPECIFY PIN FINISH:

- 01 200 μ" TIN/LEAD OVER NICKEL
- ◆ 80 200 μ" TIN OVER NICKEL (RoHS)
- ◆ 44 300 μ" SILVER OVER COPPER (RoHS)
- 50 300 μ" ELECTRO-SOLDER (60/40 SnPb)

