



Chipsmall Limited consists of a professional team with an average of over 10 year of expertise in the distribution of electronic components. Based in Hongkong, we have already established firm and mutual-benefit business relationships with customers from,Europe,America and south Asia,supplying obsolete and hard-to-find components to meet their specific needs.

With the principle of “Quality Parts,Customers Priority,Honest Operation,and Considerate Service”,our business mainly focus on the distribution of electronic components. Line cards we deal with include Microchip,ALPS,ROHM,Xilinx,Pulse,ON,Everlight and Freescale. Main products comprise IC,Modules,Potentiometer,IC Socket,Relay,Connector.Our parts cover such applications as commercial,industrial, and automotives areas.

We are looking forward to setting up business relationship with you and hope to provide you with the best service and solution. Let us make a better world for our industry!



Contact us

Tel: +86-755-8981 8866 Fax: +86-755-8427 6832

Email & Skype: info@chipsmall.com Web: www.chipsmall.com

Address: A1208, Overseas Decoration Building, #122 Zhenhua RD., Futian, Shenzhen, China



Surge protection device - TT-ST-2-PE/S2-24DC - 2801458


Please be informed that the data shown in this PDF Document is generated from our Online Catalog. Please find the complete data in the user's documentation. Our General Terms of Use for Downloads are valid (<http://phoenixcontact.com/download>)



Double-level modular terminal block with two-stage surge protection for one two-wire impedance-sensitive signal circuit, separate ground connection, nominal voltage: 24 V DC.



Key Commercial Data

Packing unit	10 STK
GTIN	 4 046356 769204
GTIN	4046356769204

Technical data

Dimensions

Height	100 mm
Width	6.2 mm
Depth	63.5 mm (incl. DIN rail 7.5 mm)

Ambient conditions

Ambient temperature (operation)	-40 °C ... 80 °C
Ambient temperature (storage/transport)	-40 °C ... 85 °C
Altitude	≤ 2000 m
Degree of protection	IP20

General

Housing material	PA 6.6
Flammability rating according to UL 94	V-0
Color	black
Standards for clearances and creepage distances	IEC 60664-1
Mounting type	DIN rail: 35 mm
Type	Double-level terminal block

Surge protection device - TT-ST-2-PE/S2-24DC - 2801458

Technical data

General

Number of positions	2
Direction of action	Line-Line & Line-Earth Ground

Protective circuit

IEC test classification	C1
	C2
	C3
	D1
VDE requirement class	C1
	C2
	C3
	D1
Nominal voltage U_N	24 V DC
Maximum continuous voltage U_C	30 V DC
	21 V AC
Rated current	6 A (40 °C)
Operating effective current I_C at U_C	$\leq 1 \mu A$
Residual current I_{PE}	$\leq 1 \mu A$
Nominal discharge current I_n (8/20) μs (line-line)	300 A
Nominal discharge current I_n (8/20) μs (line-earth)	5 kA
Pulse discharge current I_{imp} (10/350) μs	500 A (per path)
Total discharge current I_{total} (8/20) μs	5 kA
Nominal pulse current I_{an} (10/1000) μs (line-line)	25 A
Nominal pulse current I_{an} (10/1000) μs (line-earth)	50 A
Output voltage limitation at 1 kV/ μs (line-line) spike	$\leq 45 V$
Output voltage limitation at 1 kV/ μs (line-earth) spike	$\leq 800 V$
Output voltage limitation at (8/20) μs (line-line)	$\leq 50 V$ (at 300 A)
Output voltage limitation at (8/20) μs (line-earth)	$\leq 750 V$ (at 500 A)
	$\leq 1.25 kV$ (at 5 kA)
Residual voltage at I_n (line-line)	$\leq 50 V$ (at 300 A)
Residual voltage at I_n (line-earth)	$\leq 750 V$ (at 500 A)
	$\leq 1.25 kV$ (at 5 kA)
Residual voltage with I_{an} (10/1000) μs (line-line)	$\leq 45 V$ (at 25 A)
Residual voltage with I_{an} (10/1000) μs (line-earth)	$\leq 1.1 kV$ (at 50 A)
Voltage protection level U_p (line-line)	$\leq 50 V$ (C1 - 0,6 kV / 300 A)
	$\leq 45 V$ (C3 - 25 A)
	$\leq 45 V$ (1 kV/ μs)
Voltage protection level U_p (line-earth)	$\leq 1.25 kV$ (C2 - 10 kV / 5 kA)
	$\leq 1.1 kV$ (C3 - 50 A)
	$\leq 750 V$ (C1 - 1 kV/500 A)
	$\leq 800 V$ (1 kV/ μs)

Surge protection device - TT-ST-2-PE/S2-24DC - 2801458

Technical data

Protective circuit

Response time t_A (line-line)	≤ 1 ns
Response time t_A (line-earth)	≤ 100 ns
Input attenuation aE, sym.	typ. 0.3 dB (330 kHz/150 Ω)
	typ. 0.3 dB (1.1 kHz / 50 Ω)
Cut-off frequency f_g (3 dB), sym. in 50 Ohm system	typ. 3.3 MHz
Cut-off frequency f_g (3 dB), sym. in 150 Ohm system	typ. 1 MHz
Capacity (line-line)	≤ 2 nF
Surge protection fault message	none
Max. required back-up fuse	6.3 A (T/IEC 60127-2/3)
Impulse durability (line-line)	C1 - 0,6 kV / 300 A
	C3 - 25 A
Impulse durability (line-earth)	C2 - 10 kV/5 kA
	D1 - 500 A
	C1 - 1 kV/500 A
	C3 - 50 A
Pulse reset time (line-earth)	≤ 700 ms, at U_c and 10 A
Overload failure mode (line-line)	Mode 2

Connection data

Connection method	Spring-cage connection
Connection method IN	Spring-cage
Connection method OUT	Spring-cage
Conductor cross section flexible	0.2 mm ² ... 2.5 mm ²
Conductor cross section solid	0.2 mm ² ... 4 mm ²
Conductor cross section AWG	24 ... 12

Connection, equipotential bonding

Connection method	Spring-cage connection
Conductor cross section flexible min.	0.2 mm ²
Conductor cross section flexible max.	2.5 mm ²
Conductor cross section solid min.	0.2 mm ²
Conductor cross section solid max.	4 mm ²
Conductor cross section AWG min.	24
Conductor cross section AWG max.	12

Standards and Regulations

Standards/specifications	IEC 61643-21/A1 2008
	EN 61643-21/A1 2009

Environmental Product Compliance

REACH SVHC	Lead 7439-92-1
China RoHS	Environmentally friendly use period: unlimited = EFUP-e

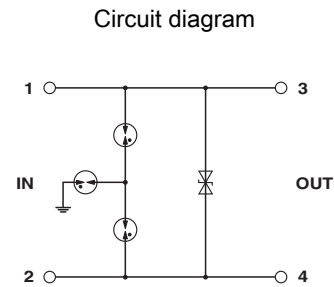
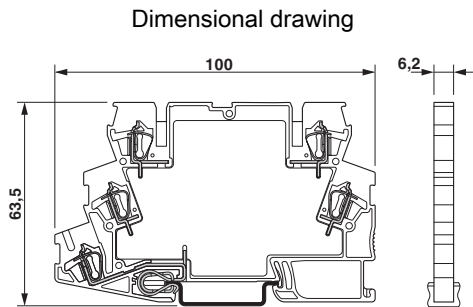
Surge protection device - TT-ST-2-PE/S2-24DC - 2801458

Technical data

Environmental Product Compliance

No hazardous substances above threshold values
--

Drawings



Approvals

Approvals

Approvals

UL Listed / DNV GL

Ex Approvals

Approval details

UL Listed		http://database.ul.com/cgi-bin/XYV/template/LISEXT/1FRAME/index.htm	FILE E 138168
-----------	--	---	---------------

DNV GL	http://exchange.dnv.com/tari/	TAE00001N7
--------	---	------------

Phoenix Contact 2018 © - all rights reserved
<http://www.phoenixcontact.com>

PHOENIX CONTACT GmbH & Co. KG
Flachsmarktstr. 8
32825 Blomberg
Germany
Tel. +49 5235 300
Fax +49 5235 3 41200
<http://www.phoenixcontact.com>