



Chipsmall Limited consists of a professional team with an average of over 10 year of expertise in the distribution of electronic components. Based in Hongkong, we have already established firm and mutual-benefit business relationships with customers from,Europe,America and south Asia,supplying obsolete and hard-to-find components to meet their specific needs.

With the principle of “Quality Parts,Customers Priority,Honest Operation,and Considerate Service”,our business mainly focus on the distribution of electronic components. Line cards we deal with include Microchip,ALPS,ROHM,Xilinx,Pulse,ON,Everlight and Freescale. Main products comprise IC,Modules,Potentiometer,IC Socket,Relay,Connector.Our parts cover such applications as commercial,industrial, and automotives areas.

We are looking forward to setting up business relationship with you and hope to provide you with the best service and solution. Let us make a better world for our industry!



## Contact us

Tel: +86-755-8981 8866 Fax: +86-755-8427 6832

Email & Skype: info@chipsmall.com Web: www.chipsmall.com

Address: A1208, Overseas Decoration Building, #122 Zhenhua RD., Futian, Shenzhen, China



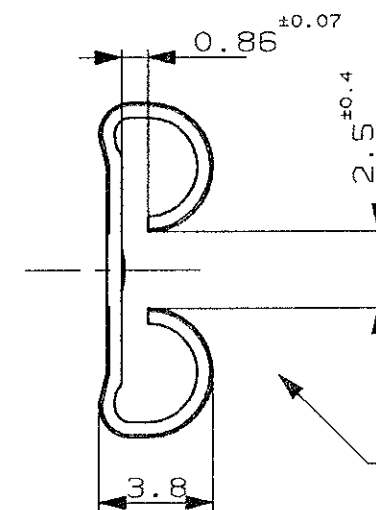
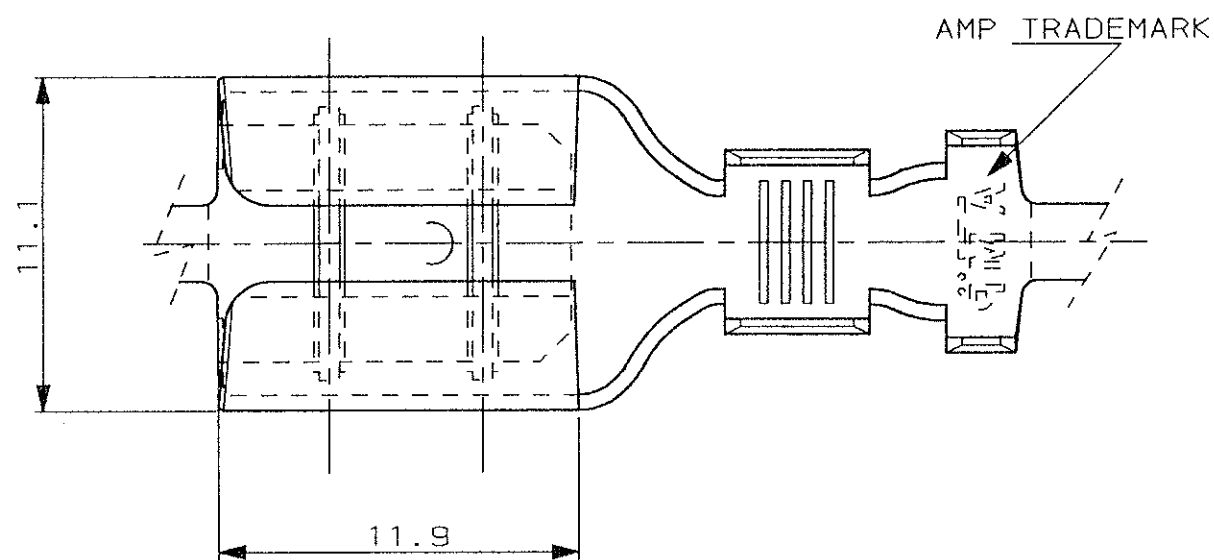
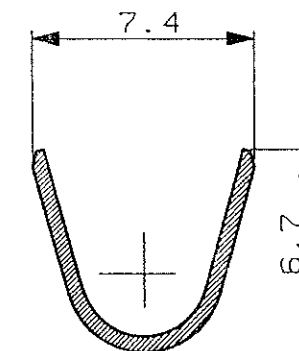
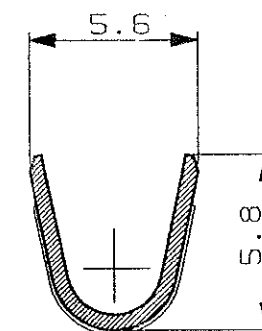
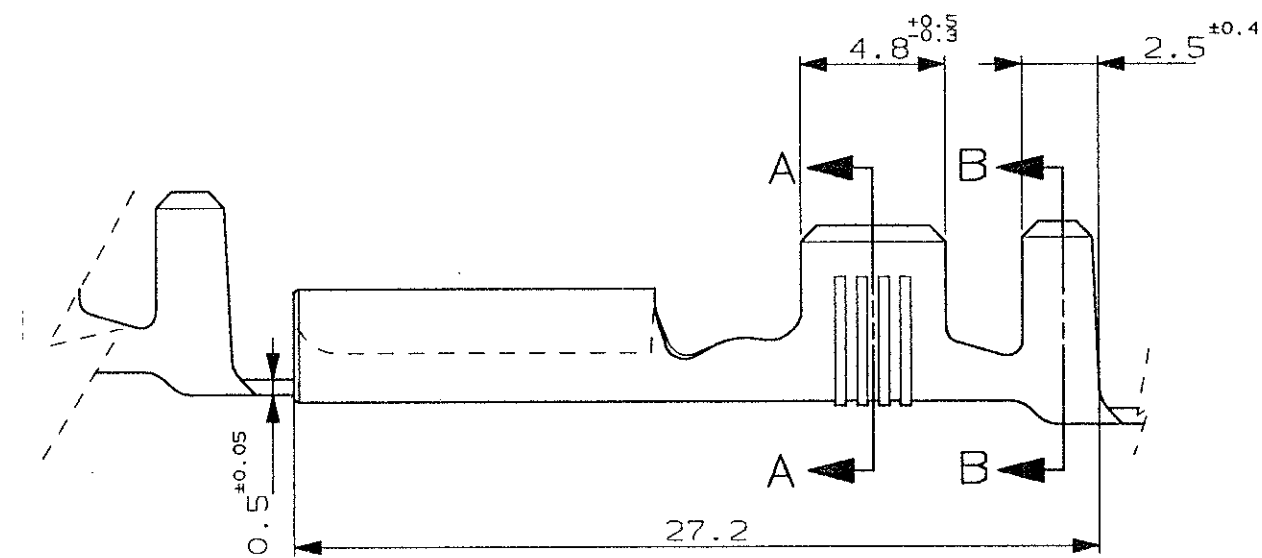
SCALA NON IMPEGNATIVA  
(DO NOT SCALE)  
DIMENSIONI IN mm  
(DIMENSIONS IN IN)

**METRIC**

PROIEZIONE EUROPEA  
(EUROPEAN PROJECTION)

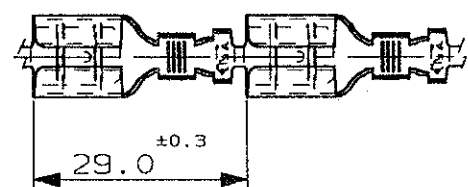
SEZIONE A-A  
(SECTION A-A)

SEZIONE B-B  
(SECTION B-B)



BARRELS OMITTED FOR CLARITY

STATO DI FORNITURA - SCALA 1:1  
(SUPPLY CONDITION - SCALE 1:1)



SENSO DI USCITA  
DEL TERMINALE  
DALLA BOBINA  
(DIRECTION OFF  
TOP OF REEL)

STAGNATO (TIN PLATED)	OTTONE (BRASS)	280223-2	N
FINITURA / COLORE (FINISH / COLOUR)	MATERIALE (MATERIAL)	NUMERO (AMP P/N)	REV

CUSTOMER DWG. FOR REFERENCE ONLY      DISEGNO PER CLIENTE SOLO PER RIFERIMENTO

THIS DRAWING IS UNPUBLISHED		RELEASE FOR PUBLICATION	19
© COPYRIGHT 19 BY AMP INCORPORATED, HARRISBURG, PA. ALL INTERNATIONAL RIGHT RESERVED. AMP PRODUCTS MAY BE COVERED BY U.S. AND FOREIGN PATENT AND/OR PATENT PENDING			
TOLLERANZE, SE NON DIVERSAMENTE SPECIFICATO (TOLERANCES, UNLESS OTHERWISE SPECIFIED)	DIAM. ISOLANTE (INS. DIA. RANGE) 3.9-5.1	RANGO FILO (WIRE RANGE) 4-6 mm <sup>2</sup>	SCALA (SCALE) 4:1

± 0.3	ANGOLI (ANGLES) ± 2°	<b>AMP</b> AMP ITALIA S.p.A. Corso F.lli Cervi, 15 COLLEGNO (TORINO)	
DIS. 05 MAR 1999 (DR.) H. YAALI	DESCRIZIONE (DESCRIPTION) FASTON® Connector .375 SERIES REC. CONTACT		

REV.	REVISIONI (REVISION RECORD)	DIS. (DR)	DATA (DATE)	H. Y.	26.9 99
N	REVISED & REDRAWN FOR ET00-0090-99				
					APP. 05 MAR 1999 (APP.) G. TARTAGLIA

LOC.	SIZE	NUMERO (DWG NO)	REV.	FOLGIO (SHEET)
I	A3	C-280223	N	1 OF 1

DISTRIBUZIONE (PRINT DIST.)