



Chipsmall Limited consists of a professional team with an average of over 10 year of expertise in the distribution of electronic components. Based in Hongkong, we have already established firm and mutual-benefit business relationships with customers from,Europe,America and south Asia,supplying obsolete and hard-to-find components to meet their specific needs.

With the principle of “Quality Parts,Customers Priority,Honest Operation,and Considerate Service”,our business mainly focus on the distribution of electronic components. Line cards we deal with include Microchip,ALPS,ROHM,Xilinx,Pulse,ON,Everlight and Freescale. Main products comprise IC,Modules,Potentiometer,IC Socket,Relay,Connector.Our parts cover such applications as commercial,industrial, and automotives areas.

We are looking forward to setting up business relationship with you and hope to provide you with the best service and solution. Let us make a better world for our industry!



Contact us

Tel: +86-755-8981 8866 Fax: +86-755-8427 6832

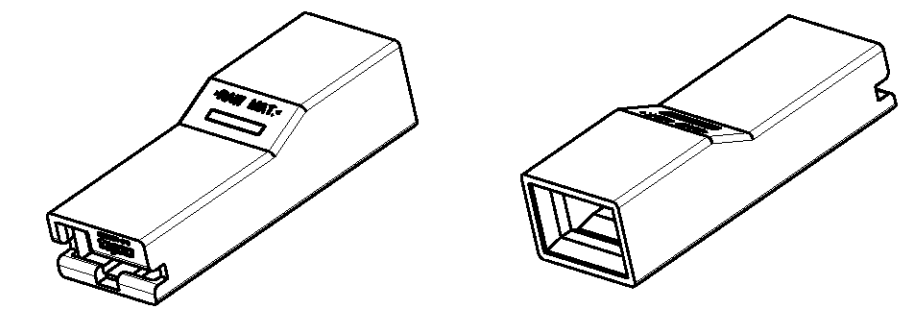
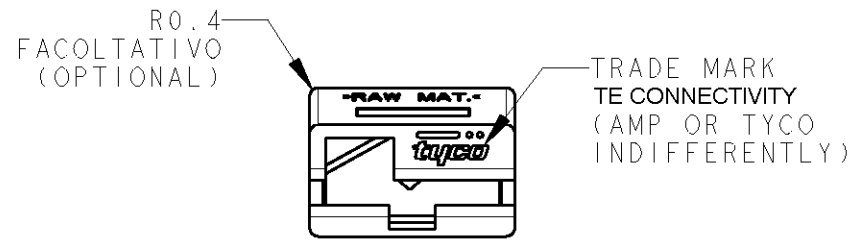
Email & Skype: info@chipsmall.com Web: www.chipsmall.com

Address: A1208, Overseas Decoration Building, #122 Zhenhua RD., Futian, Shenzhen, China

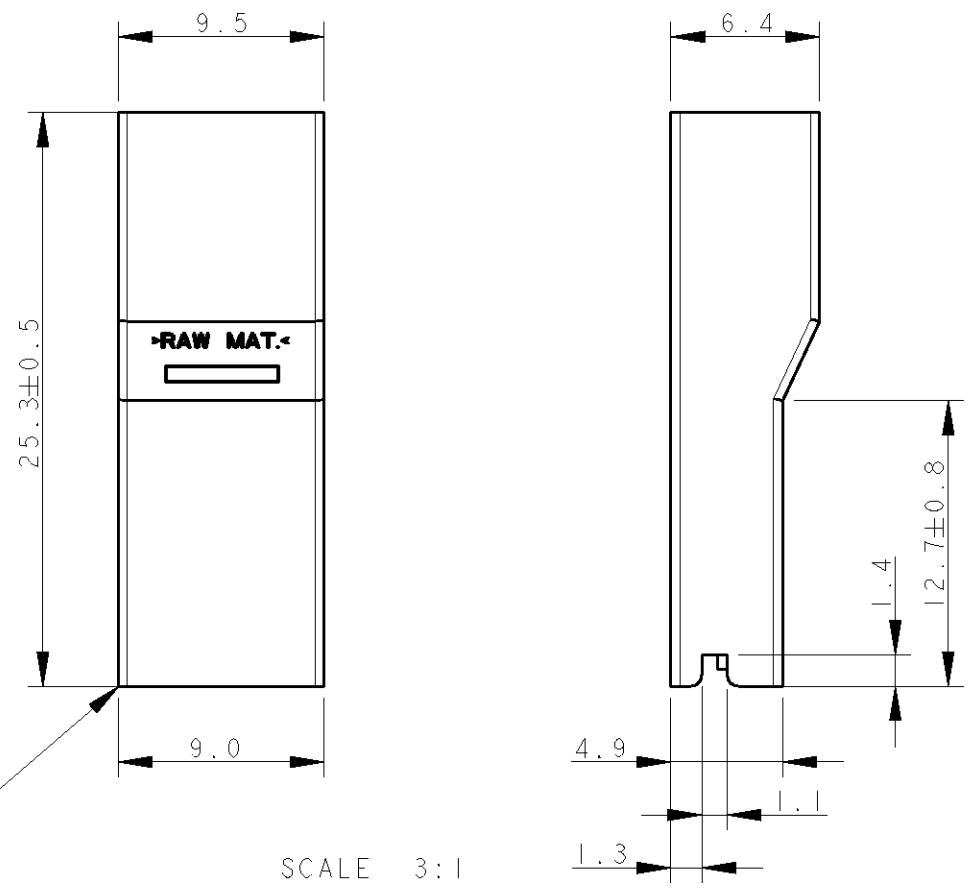


THIS DRAWING IS UNPUBLISHED. RELEASED FOR PUBLICATION
 © COPYRIGHT ALL RIGHTS RESERVED.

LOC	DIST	REVISIONS					
		P	LTR	DESCRIPTION	DATE	DWN	APVD
1	-	W3		REVIDES PER ECR-17-004272	29MAR17	ST	TD



SCALE 2:1



SCALE 3:1

- 1 BLOCCHETTO ADATTO PER TERMINALI FEMMINA PER LA SERIE 6.3 mm FASTON CON RANGO FILO DA 0.8-2.5 MM2. (SUITABLE FOR RECEPTACLE TERMINALS WITH WIRE RANGE 0.8-2.5 mm2).
- 2 BAVA ACCETTABILE: 0.3 MAX (FLASH PERMISSIBLE: 0.3 MAX.)
- 3 SPECIFICA DI PRODOTTO: 108-20035 (PRODUCT SPEC.: 108-20035)
- 4 NON ANCORA RILASCIATO IN PRODUZIONE (NOT YET RELEASED FOR PRODUCTION)

NOTE	COLORE (COLOUR)	MATERIALE (MATERIAL)	PART NUMBER	REV
1,2,3	NATURALE (NATURAL)	PA 6 UNFILLED, UL 94-V2 IEC 60335-1, GW 750°C NO FLAME	280232-8	W
1,2,3	NATURALE (NATURAL)	PA 6.6 UL 94-V0 (PA 6.6 UL 94-V0 UNFILLED)	280232-6	U
1,2,3	NERO (BLACK)	PA 6.6 (PA 6.6 UNFILLED)	280232-5	U
1,2,3	ROSSO (RED)		280232-1	U
1,2,3	NATURALE (NATURAL)		280232	U

DIMENSIONS: mm 		TOLERANCES UNLESS OTHERWISE SPECIFIED: 0 PLC ±- 1 PLC ±0.3 2 PLC ±- 3 PLC ±- 4 PLC ±- ANGLES ±2° FINISH -		DWN H. YAALI 29OCT2004 CHK - G. TURCO APVD - PRODUCT SPEC SEE NOTE 3 APPLICATION SPEC - WEIGHT -		TE Connectivity NAME POST INSULATION FOR FASTON 6.3 mm series RECEPTACLE CONTACT SIZE A3 CAGE CODE 00779 DRAWING NO C=280232 RESTRICTED TO -		
MATERIAL SEE TABLE		CUSTOMER DRAWING		SCALE 3:1		SHEET 1 OF 1		REV W3