



Chipsmall Limited consists of a professional team with an average of over 10 year of expertise in the distribution of electronic components. Based in Hongkong, we have already established firm and mutual-benefit business relationships with customers from,Europe,America and south Asia,supplying obsolete and hard-to-find components to meet their specific needs.

With the principle of "Quality Parts,Customers Priority,Honest Operation,and Considerate Service",our business mainly focus on the distribution of electronic components. Line cards we deal with include Microchip,ALPS,ROHM,Xilinx,Pulse,ON,Everlight and Freescale. Main products comprise IC,Modules,Potentiometer,IC Socket,Relay,Connector.Our parts cover such applications as commercial,industrial, and automotives areas.

We are looking forward to setting up business relationship with you and hope to provide you with the best service and solution. Let us make a better world for our industry!



Contact us

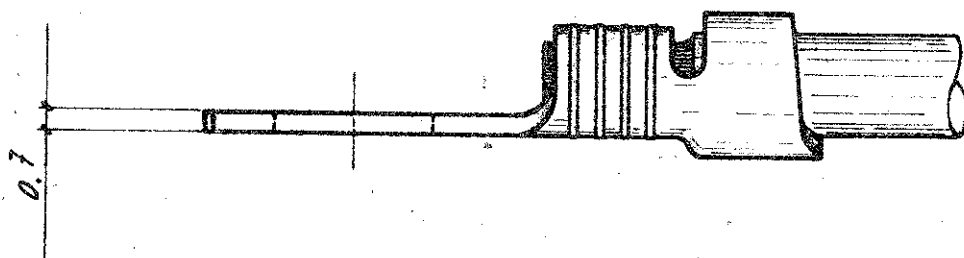
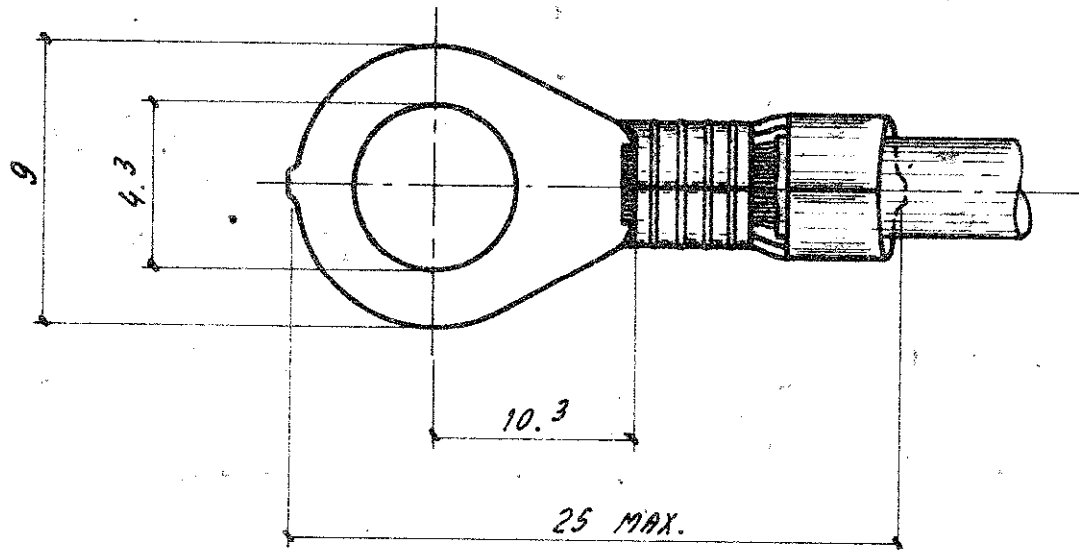
Tel: +86-755-8981 8866 Fax: +86-755-8427 6832

Email & Skype: info@chipsmall.com Web: www.chipsmall.com

Address: A1208, Overseas Decoration Building, #122 Zhenhua RD., Futian, Shenzhen, China



NUMBER
C-280261



DIMENSIONS IN mm/IN DO NOT SCALE PRINT

© 1970 BY AMP INCORPORATED. ALL RIGHTS RESERVED. AMP PRODUCTS COVERED BY PATENTS AND/OR PATENTS PENDING.

CUSTOMER COPY
REFERENCE ONLY

MATERIAL AND FINISH



AMP - ITALIA
CORSO PESCHIERA 289/6
TORINO - ITALIA

F Revised E100-0067-01 G-S 09/03/01

C P/N 280261-1 OBSOLETE 8/17 24/2/89

B TERMINALE IN PRODUZIONE *Prodotto* 30-9-71

A P/N ERA 1A-70-5069 *Acetari* 2-8-71

OTTONE (BRASS) ----- /1

BITONE STAGNATO (TIN PLATED BRASS) ----- /2

WIRE RANGE INSULATION
4 ÷ 6 m/m² 3,8 ÷ 5,3 g/100

CLASS ---

TYPE ---

LTR REVISION RECORD DR CHK DATE

TOLERANCE EXCEPT AS NOTED
± 0,4 ± 10 °

SCALE ---

LOC I

NO A

C-280261

REV F

DR *Acetari* 7th APRIL 70 DE

Acetari APRIL 70 APP

RING TONGUE WITH INS. SUPPORT.