



Chipsmall Limited consists of a professional team with an average of over 10 year of expertise in the distribution of electronic components. Based in Hongkong, we have already established firm and mutual-benefit business relationships with customers from,Europe,America and south Asia,supplying obsolete and hard-to-find components to meet their specific needs.

With the principle of “Quality Parts,Customers Priority,Honest Operation,and Considerate Service”,our business mainly focus on the distribution of electronic components. Line cards we deal with include Microchip,ALPS,ROHM,Xilinx,Pulse,ON,Everlight and Freescale. Main products comprise IC,Modules,Potentiometer,IC Socket,Relay,Connector.Our parts cover such applications as commercial,industrial, and automotives areas.

We are looking forward to setting up business relationship with you and hope to provide you with the best service and solution. Let us make a better world for our industry!



Contact us

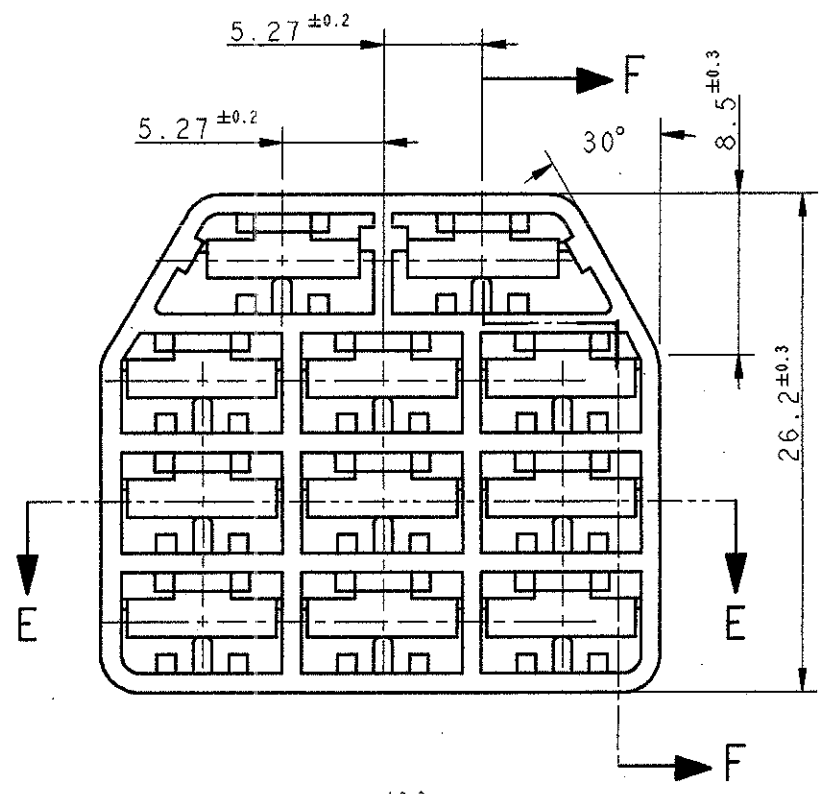
Tel: +86-755-8981 8866 Fax: +86-755-8427 6832

Email & Skype: info@chipsmall.com Web: www.chipsmall.com

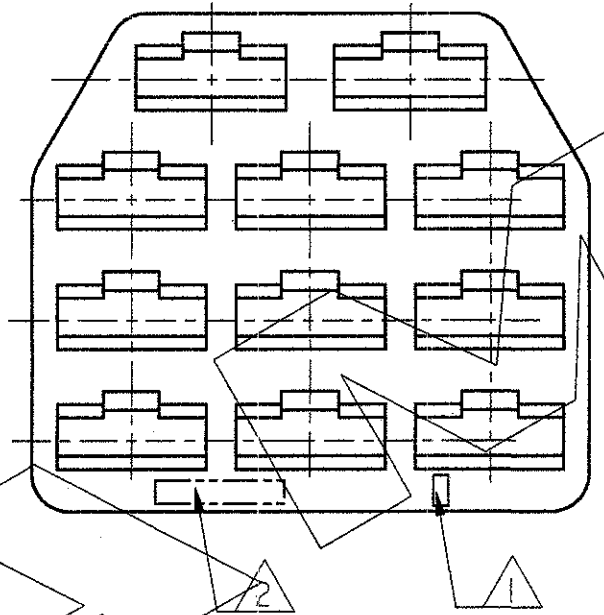
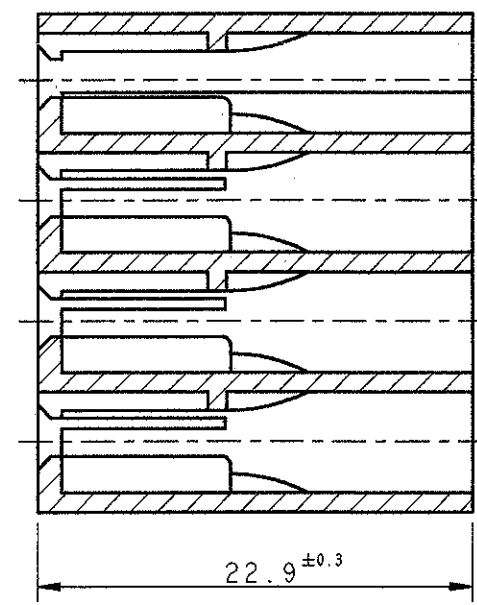
Address: A1208, Overseas Decoration Building, #122 Zhenhua RD., Futian, Shenzhen, China



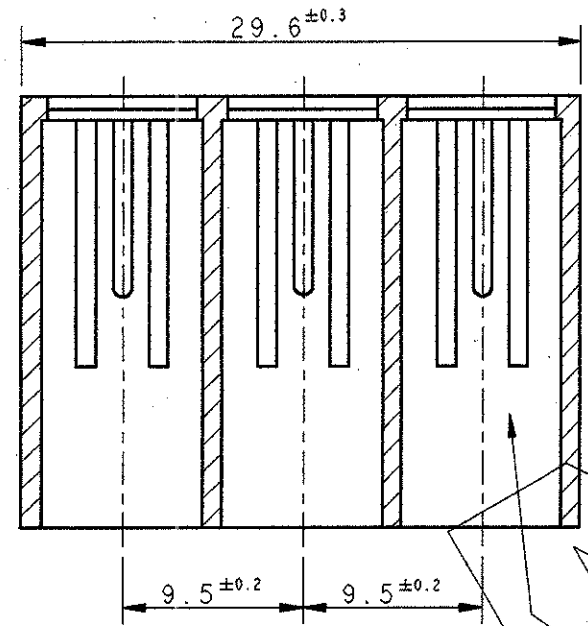
LOC	DIST	REVISIONI REVISIONI			
P	LTR REV	DESCRIPTION DESCRIZIONE	DATE DATA	DWN DIS.	APVD APP.
	D	REVISED PER ET00-0080-94	28/03/94	M.P.	C.T.
	G1	REDRAWN BY CAD PER ET00-0195-98	14 JUL 98		



SEZIONE F-F
SECTION F-F



SEZIONE E-E
SECTION E-E



TIPICA CAVITA' PER TERMINALE AMP
 FASTIN-FASTON SR.6.35mm.
 (TYPICAL CAVITY FOR AMP
 FASTIN-FASTON .250 SR.)

NERO (BLACK)	PA 6.6 (PA 6.6 UNFILLED)	280262-5
GIALLO (YELLOW)		280262-4 ³
BLU (BLUE)		280262-3 ³
VERDE (GREEN)		280262-2 ³
ROSSO (RED)		280262-1 ³
NATURALE (NATURAL)		280262-0
COLORE (COLOUR)	MATERIALE (MATERIAL)	NUMERO (PART NUMBER)

- ① NUMERO DI IMPRONTA STAMPO (MOULD CAVITY IDENTIFICATION NO.)
- ② MARCHIO DI FABBRICA AMP (AMP TRADE MARK)
- ③ OBSOLETE

THIS DRAWING IS A CONTROLLED DOCUMENT FOR AMP INCORPORATED. IT IS SUBJECT TO CHANGE AND THE CONTROLLING ENGINEERING ORGANIZATION SHOULD BE CONTACTED FOR THE LATEST REVISION. QUESTO DISEGNO E' UN DOCUMENTO DI PROPRIETA' E RESPONSABILITA' DELL'AMP INCORPORATED SOGGETTO A VARIAZIONI. PER OTTENERE L'ULTIMA REVISIONE DEL DISEGNO CONTATTARE L'UFFICIO TECNICO RESPONSABILE.

DIMENSIONS: DIMENSIONI: mm

TOLERANCES UNLESS OTHERWISE SPECIFIED: TOLLERANZE: SE NON DIVERSAMENTE SPECIFICATO

0 PLC / DEC ±
 1 PLC / DEC ±
 2 PLC / DEC ±
 3 PLC / DEC ±
 4 PLC / DEC ±
 ANGLES / ANGOLI ± 2°

MATERIAL MATERIALE: SEE TABLE

FINISH FINITURA

DWN / DIS. F. BORIN
 CHK / CONT. C. TARTAGLIA
 APVD / APP.

PRODUCT SPEC SPEC DI PRODOTTO: 108-20020

APPLICATION SPEC SPEC DI APPLICAZIONE

WEIGHT PESO

CUSTOMER DRAWING

DESIGNO PER CLIENTE SOLO PER RIFERIMENTO

SCALE SCALA 2.5:1

SHEET FOGLIO

OF DI

REV G1

AMP Italia S.p.A. Collegno, C.so F.lli Cervi 15

FASTIN-FASTON™ CONNECTOR .250 SRS. RECEPTACLE HOUSING, 11 POS.

SIZE A3 CAGE CODE 00779 DRAWING NO. C-280262 RESTRICTED TO