



Chipsmall Limited consists of a professional team with an average of over 10 year of expertise in the distribution of electronic components. Based in Hongkong, we have already established firm and mutual-benefit business relationships with customers from,Europe,America and south Asia,supplying obsolete and hard-to-find components to meet their specific needs.

With the principle of "Quality Parts,Customers Priority,Honest Operation,and Considerate Service",our business mainly focus on the distribution of electronic components. Line cards we deal with include Microchip,ALPS,ROHM,Xilinx,Pulse,ON,Everlight and Freescale. Main products comprise IC,Modules,Potentiometer,IC Socket,Relay,Connector.Our parts cover such applications as commercial,industrial, and automotives areas.

We are looking forward to setting up business relationship with you and hope to provide you with the best service and solution. Let us make a better world for our industry!



Contact us

Tel: +86-755-8981 8866 Fax: +86-755-8427 6832

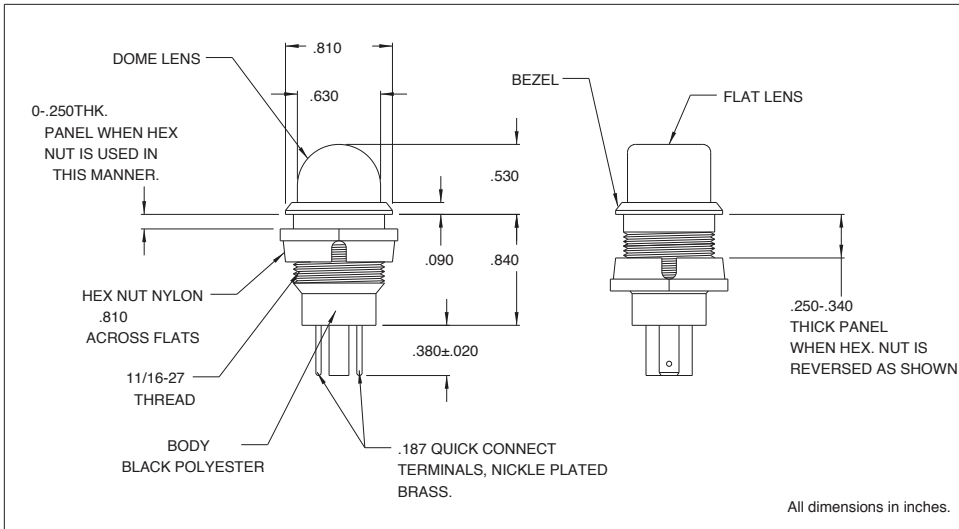
Email & Skype: info@chipsmall.com Web: www.chipsmall.com

Address: A1208, Overseas Decoration Building, #122 Zhenhua RD., Futian, Shenzhen, China

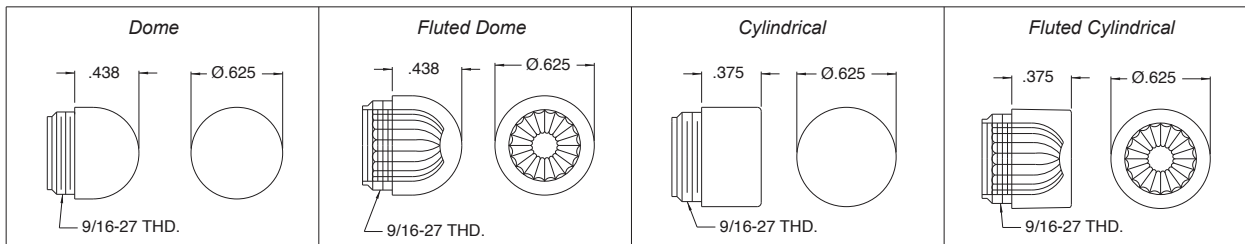


2803 Series Relampable Incandescent Indicator Light

Description and Features



Lens Specifications



All dimensions in inches.

Ordering Information:

For use with T-2 Slide Base (standard) lamps.
Complete assembly consists of socket (2803), lamp, and lens (see chart below).

Items supplied unassembled.

Lamp, lens and socket must be ordered separately.

Mounting: Supplied with polyester hex nut.

Lens: Polycarbonate-threaded

Body: Black polyester

Terminals: Nickel plated brass

Bezel: Polished stainless steel

Lens Part No:	Description
25P-306*	Transparent dome
25P-307**	Translucent dome
25P-326*	Transparent fluted dome
25P-606*	Transparent cylindrical
25P-607**	Translucent cylindrical
25P-626*	Transparent fluted cylindrical
(*) R=Red, A=Amber, G=Green, C=Clear	
(**) R=Red, Y=Yellow, G=Green, W=White	

Note: For 120 volt applications, CML recommends the use of a slide base neon lamp, rather than an incandescent lamp.