



Chipsmall Limited consists of a professional team with an average of over 10 year of expertise in the distribution of electronic components. Based in Hongkong, we have already established firm and mutual-benefit business relationships with customers from,Europe,America and south Asia,supplying obsolete and hard-to-find components to meet their specific needs.

With the principle of "Quality Parts,Customers Priority,Honest Operation,and Considerate Service",our business mainly focus on the distribution of electronic components. Line cards we deal with include Microchip,ALPS,ROHM,Xilinx,Pulse,ON,Everlight and Freescale. Main products comprise IC,Modules,Potentiometer,IC Socket,Relay,Connector.Our parts cover such applications as commercial,industrial, and automotives areas.

We are looking forward to setting up business relationship with you and hope to provide you with the best service and solution. Let us make a better world for our industry!



Contact us

Tel: +86-755-8981 8866 Fax: +86-755-8427 6832

Email & Skype: info@chipsmall.com Web: www.chipsmall.com

Address: A1208, Overseas Decoration Building, #122 Zhenhua RD., Futian, Shenzhen, China



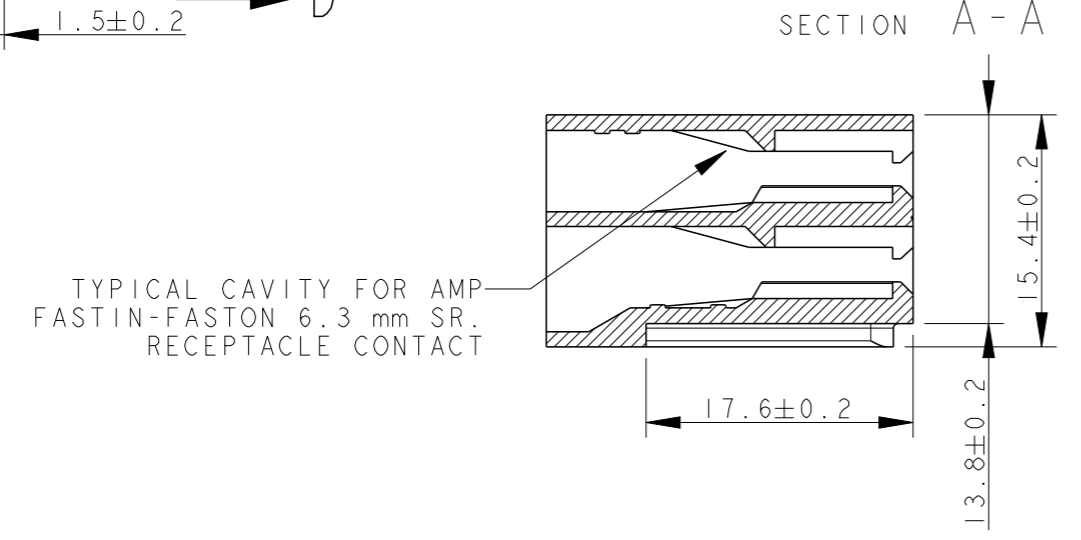
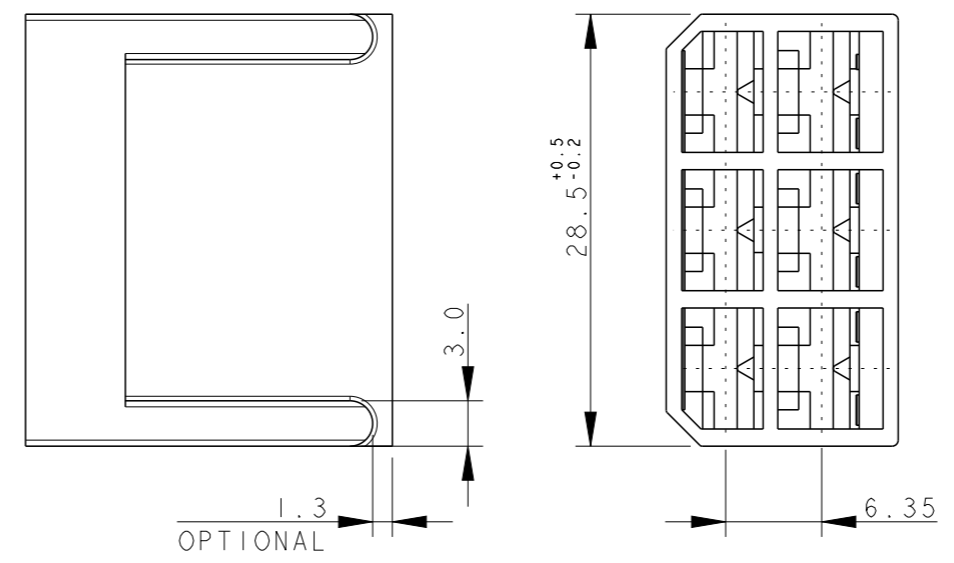
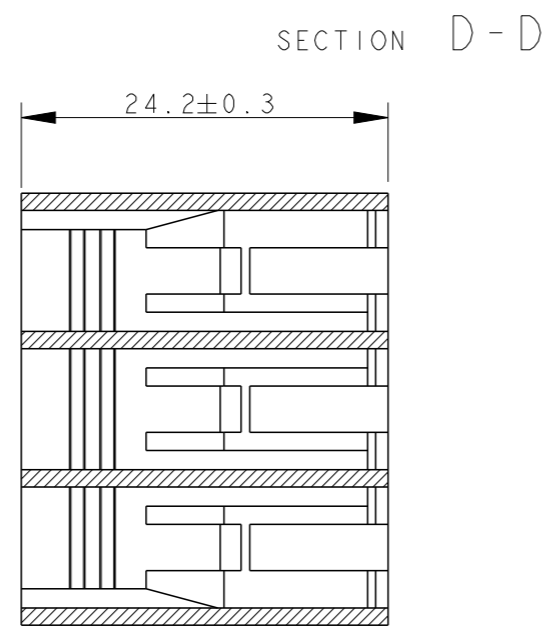
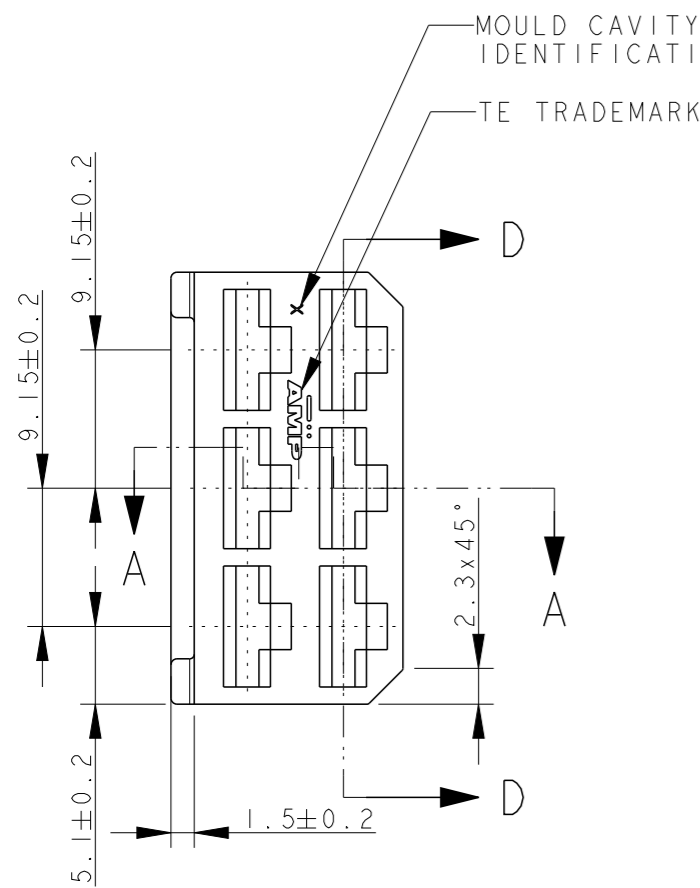
THIS DRAWING IS UNPUBLISHED.

RELEASED FOR PUBLICATION

© COPYRIGHT -

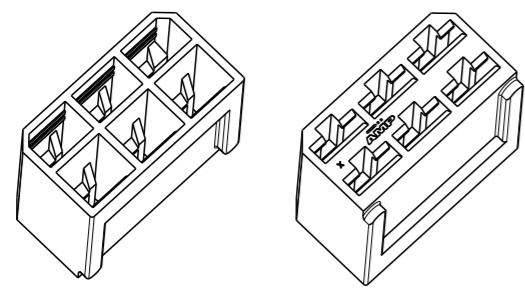
ALL RIGHTS RESERVED.

LOC	DIST	REVISIONS			
P	LTR	DESCRIPTION	DATE	DWN	APVD
	L3	REVISED PER ECO-11-005140	16APR2011	RK	HMR
	L4	ECR-12-019302	08NOV2012	PKS	RRP



- 1 "GLOW WIRE" VERSION.
- 2 SAME AS 0-280314-0 BUT SPECIAL PACKING, ON CARTON BOX, TWO BAG WITH 1000 PIECES ON EACH.
- 3 OBSOLETE PARTS: OBSOLETE CIS STREAMLINING PER D.RENAUD/D.SINISI

NOTE	COLOUR	MATERIAL	PART NO	REV
3		PA6.6 UNFILLED	3-280314-0	
		PA6.6 ZYTEL 135F	0-280314-6	
	BLACK	PA6.6 UNFILLED	0-280314-5	
	RED		0-280314-1	
	NATUR		0-280314-0	



THIS DRAWING IS A CONTROLLED DOCUMENT.

DWN H. YAALI 21JUN2004

CHK G. TURCO

APVD

PRODUCT SPEC 108-20020

APPLICATION SPEC

WEIGHT

Customer Drawing

STE TE Connectivity

FASTIN-FASTON CONNECTOR, 6.3 mm SRS. RECEPTACLE HOUSING 6 POS., WITHOUT EARS

SIZE A3 CAGE CODE 00779 DRAWING NO C-280314 RESTRICTED TO

SCALE 2:1 SHEET 1 OF 1 REV L4

DIMENSIONS:	TOLERANCES UNLESS OTHERWISE SPECIFIED:
mm	
0 PLC	±-
1 PLC	±0.3
2 PLC	±-
3 PLC	±-
4 PLC	±-
ANGLES	±1°
FINISH	-