



Chipsmall Limited consists of a professional team with an average of over 10 year of expertise in the distribution of electronic components. Based in Hongkong, we have already established firm and mutual-benefit business relationships with customers from,Europe,America and south Asia,supplying obsolete and hard-to-find components to meet their specific needs.

With the principle of "Quality Parts,Customers Priority,Honest Operation,and Considerate Service",our business mainly focus on the distribution of electronic components. Line cards we deal with include Microchip,ALPS,ROHM,Xilinx,Pulse,ON,Everlight and Freescale. Main products comprise IC,Modules,Potentiometer,IC Socket,Relay,Connector.Our parts cover such applications as commercial,industrial, and automotives areas.

We are looking forward to setting up business relationship with you and hope to provide you with the best service and solution. Let us make a better world for our industry!



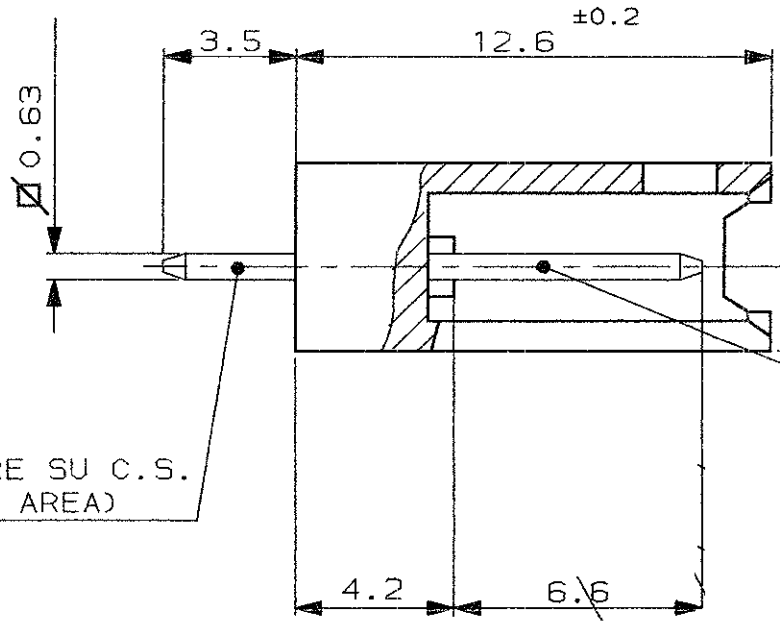
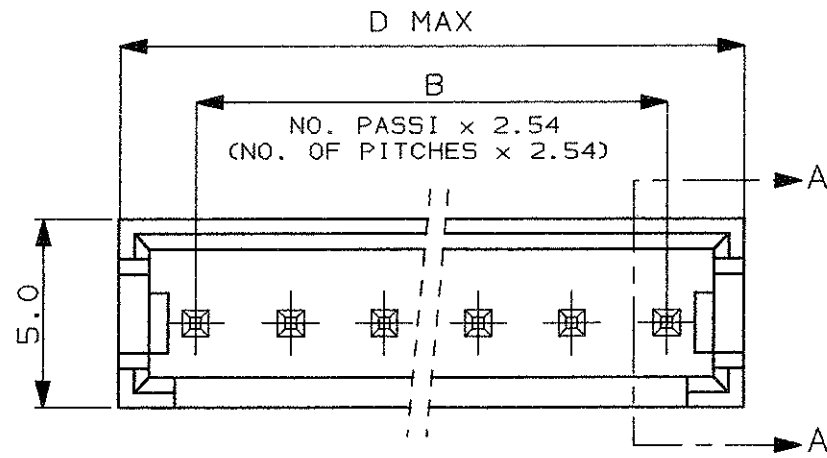
## Contact us

Tel: +86-755-8981 8866 Fax: +86-755-8427 6832

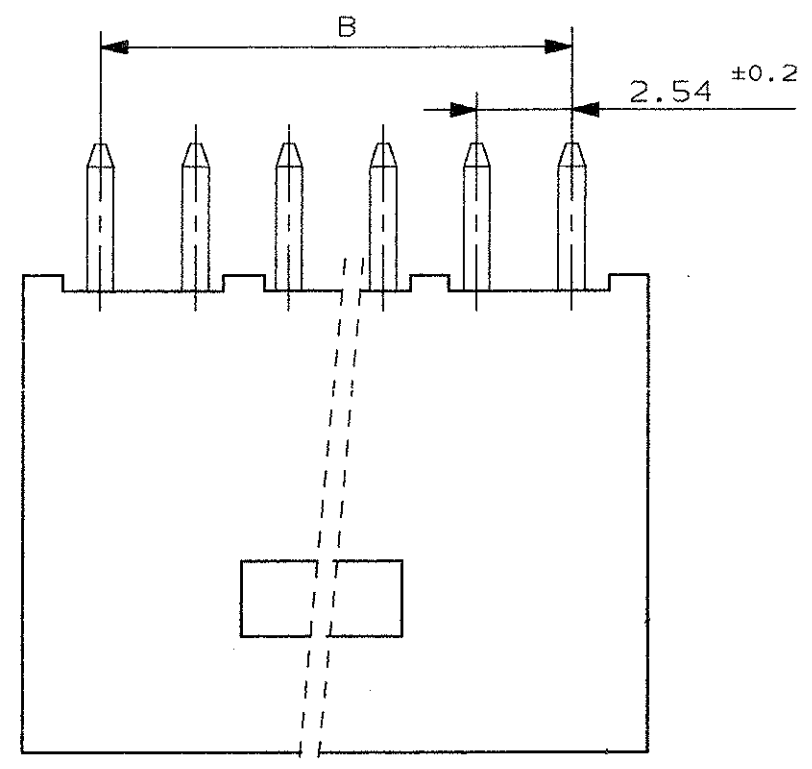
Email & Skype: info@chipsmall.com Web: www.chipsmall.com

Address: A1208, Overseas Decoration Building, #122 Zhenhua RD., Futian, Shenzhen, China





SEZ. PARZIALE (PARTIAL SEC.) A-A



58.5	53.34	280376-3	<del>280376-2</del> <sup>6</sup>	280376-1	22
40.7	35.56	280375-3	280375-2	280375-1	15
33.1	27.94	280520-3	280520-2	280520-1	12
28.0	22.86	280374-3	280374-2	280374-1	10
25.4	20.32	<del>280508-3</del> <sup>5</sup>	280508-2	280508-1	9
22.9	17.78	<del>280373-3</del> <sup>6</sup>	280373-2	280373-1	8
17.8	12.70	280372-3	280372-2	280372-1	6
12.7	7.62	280371-3	280371-2	280371-1	4
7.7	2.54	280370-3	280370-2	280370-1	2
D	B	NUMERO (PART NUMBER) <sup>3</sup>	NUMERO (PART NUMBER) <sup>2</sup>	NUMERO (PART NUMBER) <sup>1</sup>	NO. POS.

- <sup>1</sup> FINITURA (FINISH): STAGNATO 3.5µm (TIN PLATED 3.5µm).
- <sup>2</sup> FINITURA (FINISH): DORATO 0.4µm NELL'AREA DI CONTATTO E STAGNATO 2.5µm NELLA ZONA A SALDARE, SU 1.3µm DI NI. (DUPLIX PLATED 0.4µm GOLD IN CONTACT AREA AND 2.5µm TIN IN SOLDER AREA, OVER 1.3µm NICKEL).
- <sup>3</sup> FINITURA (FINISH): DORATO 0.8µm NELL'AREA DI CONTATTO E STAGNATO 2.5µm NELLA ZONA A SALDARE, SU 1.3µm DI NI. (DUPLIX PLATED 0.8µm GOLD IN CONTACT AREA AND 2.5µm TIN IN SOLDER AREA, OVER 1.3µm NICKEL).
- <sup>4</sup> MATERIALI (MATERIALS):  
-BLOCCHETTI: POLIESTERE AUTOESTINGUENTE UL94V-0, COLORE NERO.  
(HOUSINGS: FLAME RETARDANT THERMOPLASTIC, COLOR BLACK).  
-TIN AND GOLD PLATED CONTACTS: BRASS

<sup>5</sup> P/N OBSOLETO (OBSOLETE P/N)

<sup>6</sup> OBSOLETE

CUSTOMER DRAWING FOR REFERENCE ONLY / DISEGNO PER CLIENTE SOLO PER RIFERIMENTO

THIS DRAWING IS UNPUBLISHED / RELEASE FOR PUBLICATION 19  
© COPYRIGHT 19 BY TE INCORPORATED, HARRISBURG, PA. ALL INTERNATIONAL RIGHT RESERVED. TE PRODUCTS MAY BE COVERED BY U.S. AND FOREIGN PATENT AND/OR PATENT PENDING

TOLLERANZE, SE NON DIVERSAMENTE SPECIFICATO / (TOLERANCES, UNLESS OTHERWISE SPECIFIED)  
± 0.3

**TE** TE Connectivity

M	STREAMLINING OF CONTACT BASE MATERIAL TO BRASS	SMT	RP	ANGOLI (ANGLES)	± 2°
L2	ECR-10-022530	KK	10FEB11	DIS. (DR.)	G. CAMPIA
L1	MODIFIED PER ET00-0263-95	10FEB11	28-9 '98	DIS. (DR.)	12 FEB 90
L	OBSOLETE P/N 280503-3 (ET00-518-96)	C.P.	4-12 '96	CONT. (CHK)	-
K	AGGIORNATO E RIDISEGNATO (REVISED & REDRAWN)	G.C.	2/90	APP. (APP.)	-
REV	REVISIONI (REVISION RECORD)	DIS. (DR.)	DATA (DATE)		

DESCRIZIONE (DESCRIPTION) AMPMODU II HEADER  
ASS. IES, STRAIGHT, SINGLE ROW  
LOC. SIZE NUMERO (CAGE NO) I A3 C - 280370  
REV. M  
FOGLIO (SHEET) 1 DI (OF) 1

DISTRIBUZIONE (PRINT DIST.)