



Chipsmall Limited consists of a professional team with an average of over 10 year of expertise in the distribution of electronic components. Based in Hongkong, we have already established firm and mutual-benefit business relationships with customers from,Europe,America and south Asia,supplying obsolete and hard-to-find components to meet their specific needs.

With the principle of “Quality Parts,Customers Priority,Honest Operation,and Considerate Service”,our business mainly focus on the distribution of electronic components. Line cards we deal with include Microchip,ALPS,ROHM,Xilinx,Pulse,ON,Everlight and Freescale. Main products comprise IC,Modules,Potentiometer,IC Socket,Relay,Connector.Our parts cover such applications as commercial,industrial, and automotives areas.

We are looking forward to setting up business relationship with you and hope to provide you with the best service and solution. Let us make a better world for our industry!



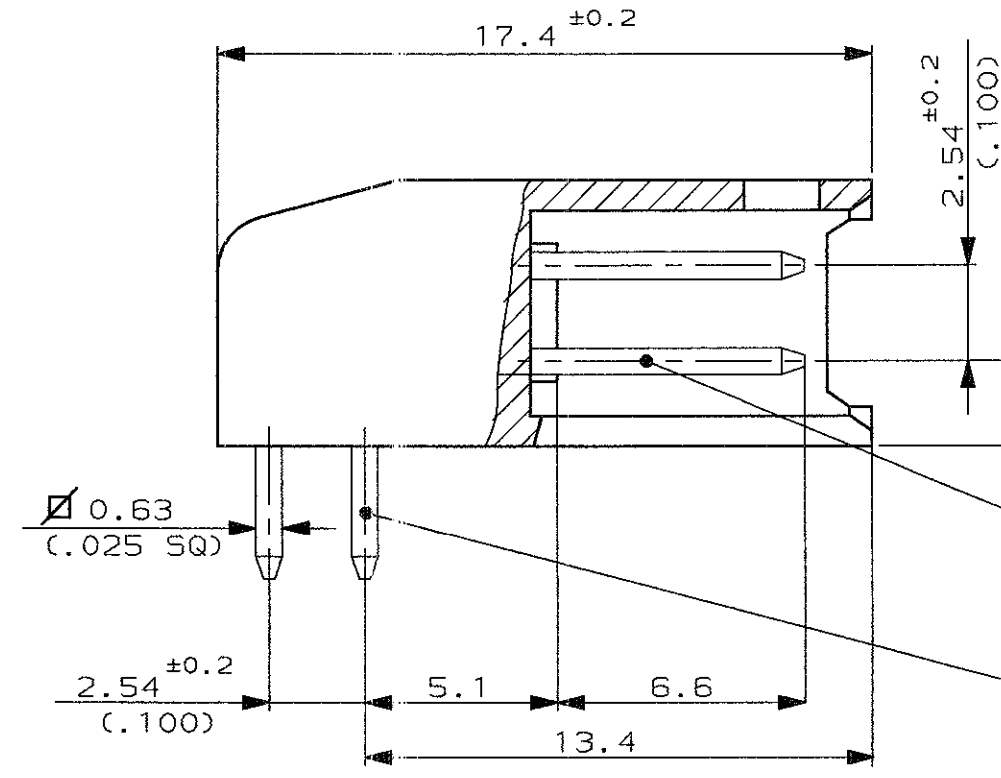
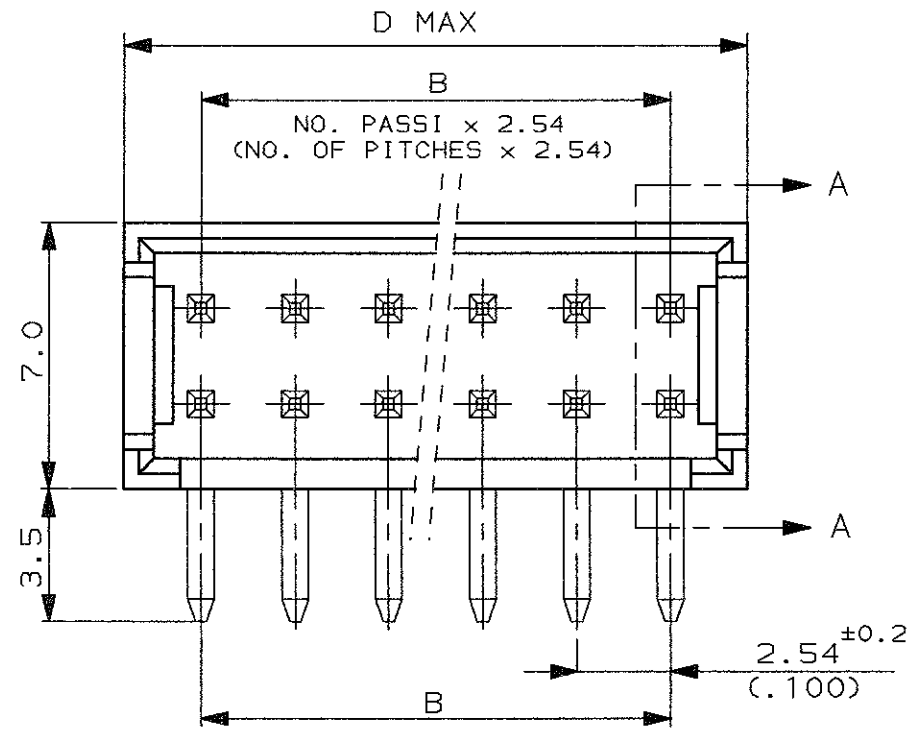
Contact us

Tel: +86-755-8981 8866 Fax: +86-755-8427 6832

Email & Skype: info@chipsmall.com Web: www.chipsmall.com

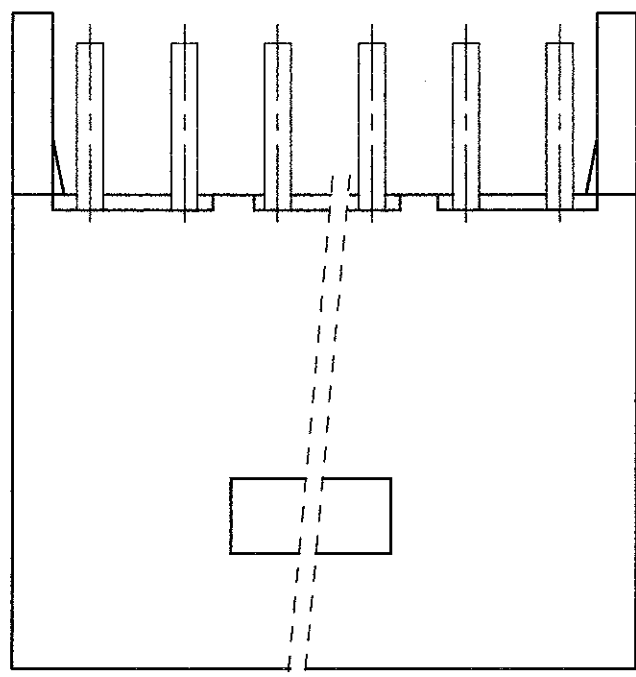
Address: A1208, Overseas Decoration Building, #122 Zhenhua RD., Futian, Shenzhen, China





AREA DI CONTATTO (CONTACT AREA)
 ZONA A SALDARE SU C.S. (SOLDER AREA)

SEZ. PARZIALE (PARTIAL SEC.) A-A



15.2	10.16		284124-1		5		
58.5	53.34	5	280393-3	280393-2	280393-1	22	
48.3	43.18	281021-3	5	281021-2	281021-1	5	18
40.7	35.56	5	280392-3	280392-2	280392-1	15	
33.1	27.94		280522-3	280522-2	280522-1	12	
25.4	20.32	5	280510-3	280510-2	280510-1	9	
22.9	17.78	5	280390-3	280390-2	280390-1	8	
17.8	12.70			282790-1		6	
12.7	7.62		280389-3	280389-2	280389-1	4	
D	B	NUMERO (PART NUMBER) 3	NUMERO (PART NUMBER) 2	NUMERO (PART NUMBER) 1	NO. POS		

NOTE (NOTES)

- 1 FINITURA (FINISH): STAGNATO 3.5µM (TIN PLATED 3.5µM).
- 2 FINITURA (FINISH): DORATO 0.4µM NELL'AREA DI CONTATTO E STAGNATO 2.5µM NELLA ZONA A SALDARE, SU 1.3µM DI NI. (DUPLEX PLATED 0.4µM GOLD IN CONTACT AREA AND 2.5µM TIN IN SOLDER AREA, OVER 1.3µM NICKEL).
- 3 FINITURA (FINISH): DORATO 0.8µM NELL'AREA DI CONTATTO E STAGNATO 2.5µM NELLA ZONA A SALDARE, SU 1.3µM DI NI. (DUPLEX PLATED 0.8µM GOLD IN CONTACT AREA AND 2.5µM TIN IN SOLDER AREA, OVER 1.3µM NICKEL).
- 4 MATERIALI (MATERIALS):
 - TIN AND GOLD PLATED CONTACTS: BRASS

5 OBSOLETE (OBSOLETE)

6) SPECIFICA DI PRODOTTO : 108-20025
 (PRODUCT SPECIFICATION : 108-20025)

CUSTOMER DRAWING FOR REFERENCE ONLY
 DISEGNO PER CLIENTE SOLO PER RIFERIMENTO

THIS DRAWING IS UNPUBLISHED | RELEASE FOR PUBLICATION

TOLLERANZE, SE NON ALTREMENTE SPECIFICATE (TOLERANCES, UNLESS OTHERWISE SPECIFIED)
 ± 0.3
 ANGOLI (ANGLES) ± 2°

MATERIALI (MATERIALS)
 VEDERE NOTA (SEE NOTE) 4

SCALA (SCALE) 5:1

TE Connectivity

DIS. (DR.) G. CAMPIA 12 FEB 90
 CONT. R. CANTORE (CHK) 12 FEB 90

DESCRIZIONE (DESCRIPTION) AMPMODU II HEADER
 ASS. IES, R. ANGLE, DOUBLE ROW

AC	STREAMLINING OF CONTACT MATERIAL TO BRASS	SMT	25 FEB 2013	LOC.	SIZE	NUMERO (DWG NO)	REV.	FOGLIO (SHEET)
REV. (REV.)	REVISIONI (REVISION RECORD)	DIS. (DR)	DATA (DATE)	APP. (APP.)		I A3 C - 280389	AC	1 DI 1 (OF 1)

DISTRIBUZIONE (PRINT DIST.)