



Chipsmall Limited consists of a professional team with an average of over 10 year of expertise in the distribution of electronic components. Based in Hongkong, we have already established firm and mutual-benefit business relationships with customers from,Europe,America and south Asia,supplying obsolete and hard-to-find components to meet their specific needs.

With the principle of “Quality Parts,Customers Priority,Honest Operation,and Considerate Service”,our business mainly focus on the distribution of electronic components. Line cards we deal with include Microchip,ALPS,ROHM,Xilinx,Pulse,ON,Everlight and Freescale. Main products comprise IC,Modules,Potentiometer,IC Socket,Relay,Connector.Our parts cover such applications as commercial,industrial, and automotives areas.

We are looking forward to setting up business relationship with you and hope to provide you with the best service and solution. Let us make a better world for our industry!



## Contact us

Tel: +86-755-8981 8866 Fax: +86-755-8427 6832

Email & Skype: info@chipsmall.com Web: www.chipsmall.com

Address: A1208, Overseas Decoration Building, #122 Zhenhua RD., Futian, Shenzhen, China



THIS DRAWING IS UNPUBLISHED.

RELEASED FOR PUBLICATION

2002

LOC

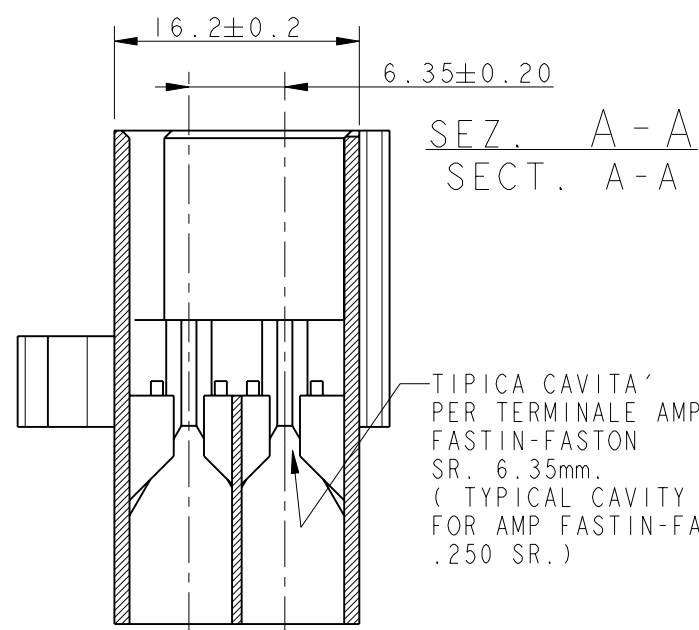
DIST

REVISIONS

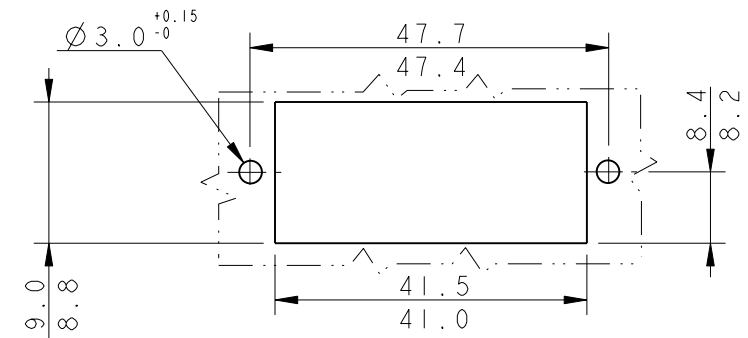
© COPYRIGHT 2002

ALL RIGHTS RESERVED.

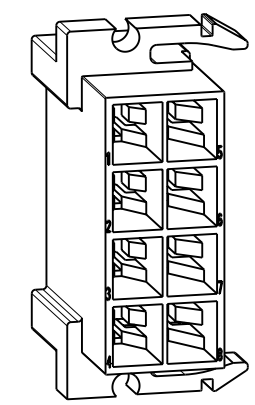
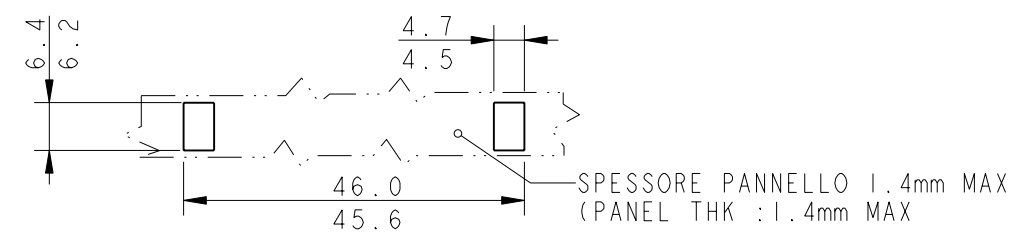
P	LTR	DESCRIPTION	DATE	DWN	APVD
U3		REVISED AND REDRAWN, ET00-0098-02	20 SEP 2002	HY	CT
U4		REVISED PER ECO-09-025699	19DEC09	KK	AEG
U5		ECR-10-022530	14JUN11	KK	HMR



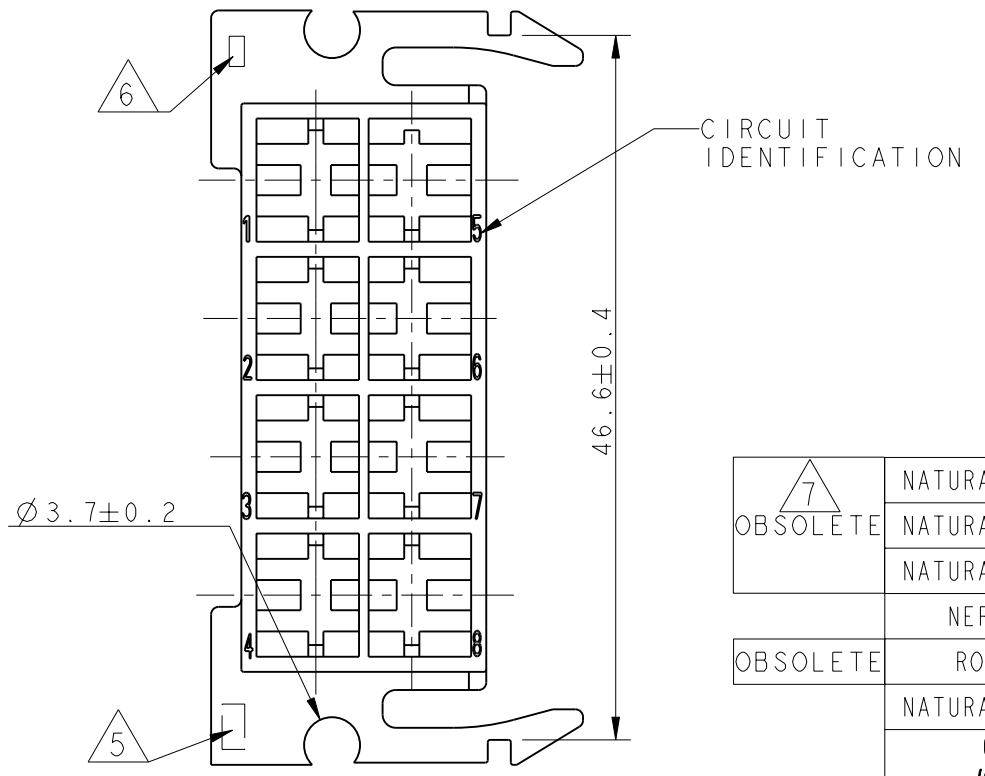
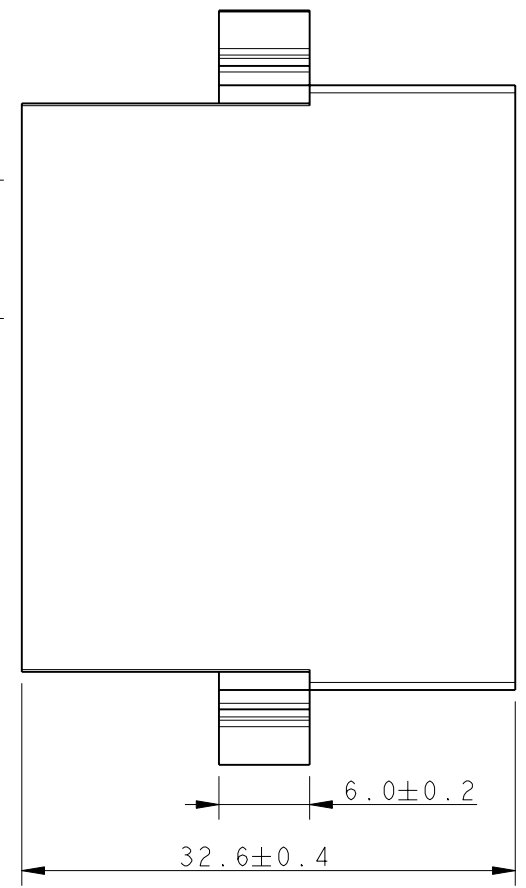
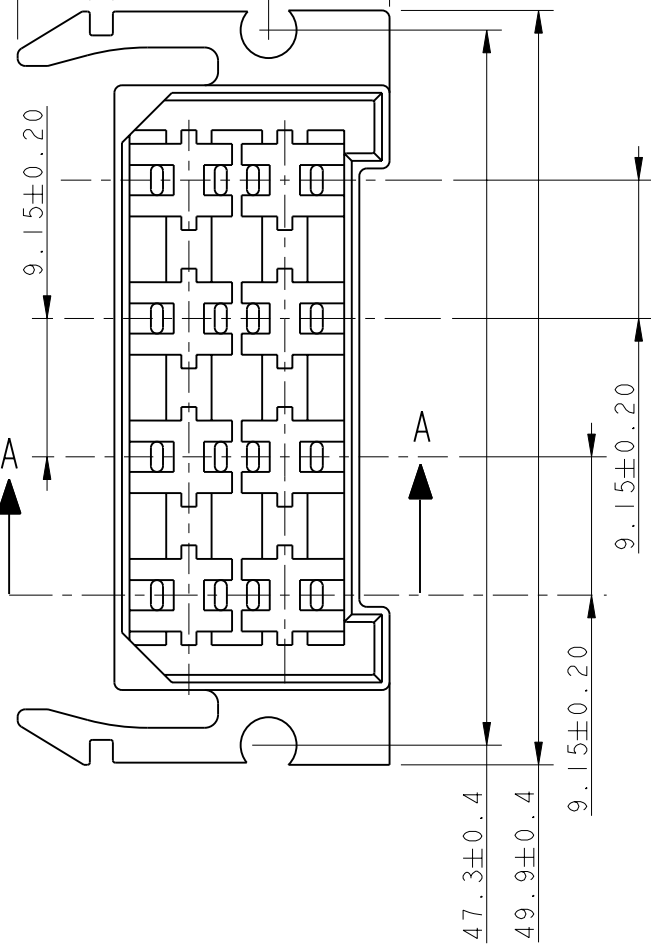
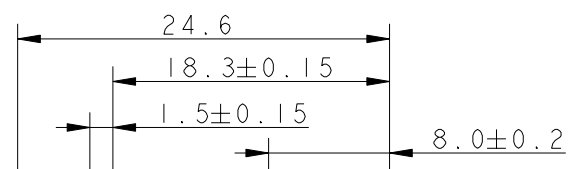
DIMENSIONI PER IL MONTAGGIO (MOUNTING DIMENSIONS)  
PER IL BLOCCAGGIO PERPENDICOLARE AL PANNELLO DEI BLOCCHETTI  
P/N 280430 O P/N 163008  
(FOR FASTENING HSG P/N 280430 OR P/N 163008 PERPENDICULAR WITH PANEL.)



DIMENSIONI PER IL MONTAGGIO (MOUNTING DIMENSIONS)  
PER IL BLOCCAGGIO PARALLELO AL PANNELLO DEI BLOCCHETTI  
P/N 280430 O P/N 163008  
(FOR FASTENING HSG P/N 280430 OR P/N 163008 IN PARALLEL WITH THE PANEL.)



- 1 RISERVATO PER TE AMP DE FRANCE (RESTRICTED FOR TE AMP DE FRANCE)
- 2 RISERVATO "PHILCO™" (RESTRICTED FOR "PHILCO™")
- 3 VERSIONE NON DISPONIBILE IN TE AMP ITALIA (NOT AVAILABLE FROM TE AMP ITALY)
- 4 VERSIONE "GLOW WIRE" ("GLOW WIRE" VERSION)
- 5 MARCHIO DI FABBRICA AMP (AMP TRADE MARK)
- 6 NUMERO DI IMPRONTA STAMPO (MOULD CAVITY IDENTIFICATION NO)
- 7 OBSOLETE PARTS: OBSOLETE CIS STREAMLINING PER D.RENAUD/D.SINISI



OBSOLETE	NATURALE (NATURAL)	ZYTEL 135F	4	<del>4-280430-0</del>	U
	NATURALE (NATURAL)	PA 6.6 (PA 6.6 UNFILLED)	3	<del>3-280430-0</del>	U
	NATURALE (NATURAL)		2	<del>2-280430-0</del>	U
OBSOLETE	NERO (BLACK)	PA 6.6 (PA 6.6 UNFILLED)		0-280430-5	U
	ROSSO (RED)			<del>0-280430-1</del>	U
	NATURALE (NATURAL)			0-280430-0	U
	<b>COLORE (COLOUR)</b>	<b>MATERIALE (MATERIAL)</b>	<b>NUMERO (PART NUMBER)</b>		REV

THIS DRAWING IS A CONTROLLED DOCUMENT.

DIMENSIONS:	TOLERANCES UNLESS OTHERWISE SPECIFIED:
mm	
0 PLC	±-
1 PLC	±0.3
2 PLC	±-
3 PLC	±-
4 PLC	±-
ANGLES	±2°
MATERIAL	FINISH
SEE TABLE	SEE TABLE

DWN	H. YAALI	10JUL2002
CHK	C. TARTARI	-
APVD	-	-
PRODUCT SPEC	108-20020	-
APPLICATION SPEC	-	-
WEIGHT	8.16 g	-

**STE** TE Connectivity

FASTIN-FASTON\* Connector,  
.250inch srs. TAB HOUSING,  
8 POSITIONS

SIZE	CAGE CODE	DRAWING NO	RESTRICTED TO
A3	00779	C-280430	-

CUSTOMER DRAWING SCALE 2:1 SHEET 1 OF 1 REV U5