



Chipsmall Limited consists of a professional team with an average of over 10 year of expertise in the distribution of electronic components. Based in Hongkong, we have already established firm and mutual-benefit business relationships with customers from,Europe,America and south Asia,supplying obsolete and hard-to-find components to meet their specific needs.

With the principle of “Quality Parts,Customers Priority,Honest Operation,and Considerate Service”,our business mainly focus on the distribution of electronic components. Line cards we deal with include Microchip,ALPS,ROHM,Xilinx,Pulse,ON,Everlight and Freescale. Main products comprise IC,Modules,Potentiometer,IC Socket,Relay,Connector.Our parts cover such applications as commercial,industrial, and automotives areas.

We are looking forward to setting up business relationship with you and hope to provide you with the best service and solution. Let us make a better world for our industry!



## Contact us

Tel: +86-755-8981 8866 Fax: +86-755-8427 6832

Email & Skype: info@chipsmall.com Web: www.chipsmall.com

Address: A1208, Overseas Decoration Building, #122 Zhenhua RD., Futian, Shenzhen, China

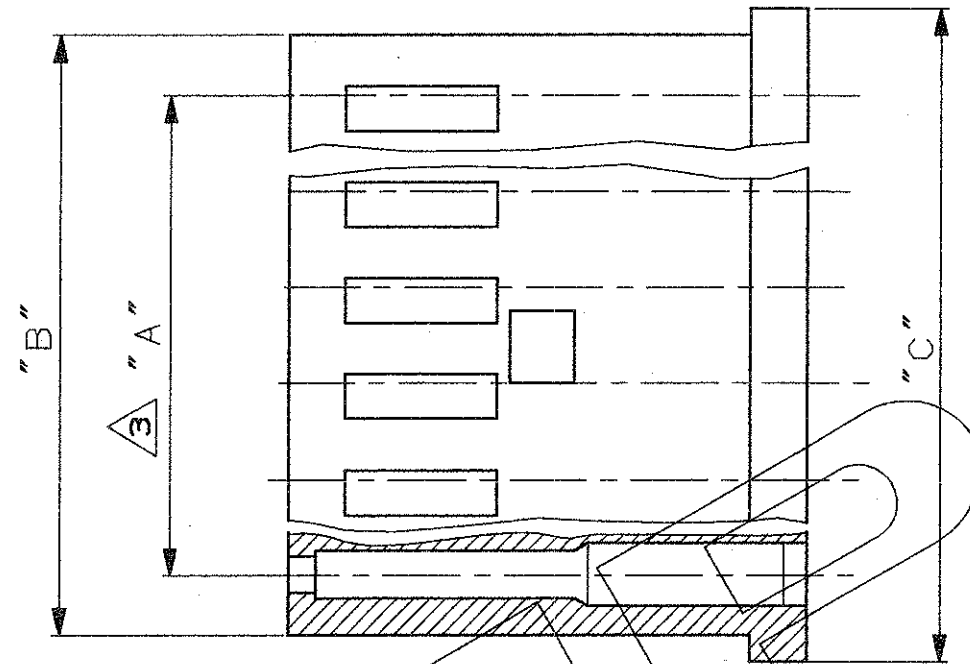
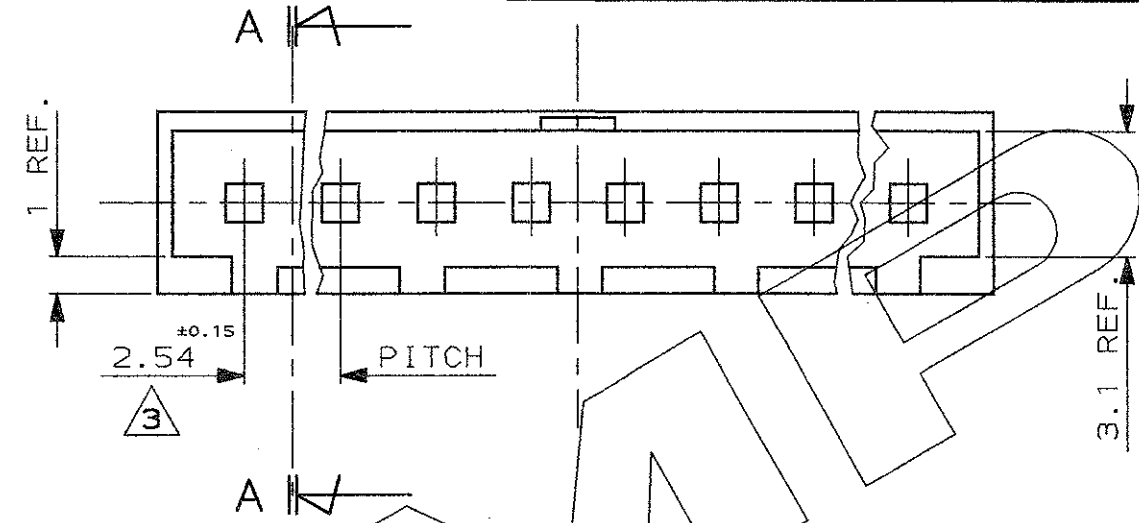
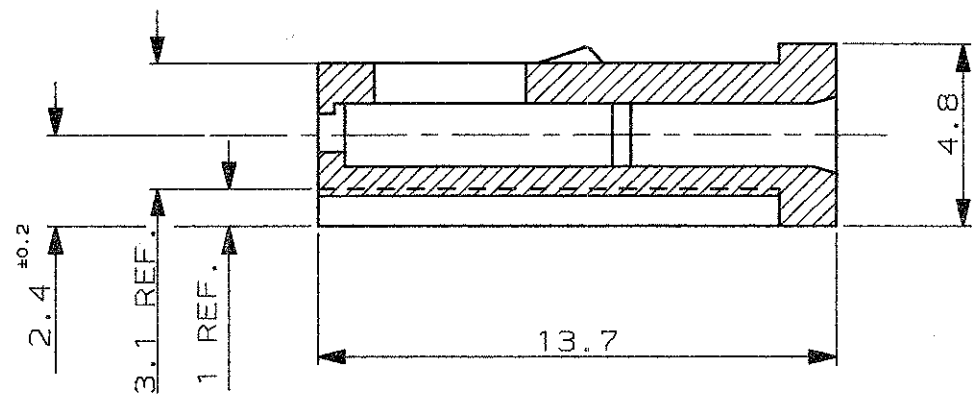


SEZ. A-A  
(SECT. A-A)

SCALA NON IMPEGNATIVA  
(DO NOT SCALE)  
DIMENSIONI IN mm  
(DIMENSIONS IN IN)

METRIC

PROIEZIONE EUROPEA  
(EUROPEAN PROJECTION)



N° POS.	PART NUMBER	DIM. "A"	DIM. "B"	DIM. "C"	MATERIAL (SEE NOTE)
4	1-280359-0	7.62	10.6	12.2	2
2	1-280358-0	2.54	5.6	7.1	
22	280364-0	53.34	56.4	57.9	1
15	280363-0	35.56	38.6	40.1	
12	280514-0	27.94	31	32.5	
10	280362-0	22.86	25.9	27.4	
9	280512-0	20.32	23.3	24.9	
8	280361-0	17.78	20.8	22.3	
6	280360-0	12.70	15.7	17.3	
4	280359-0	7.62	10.6	12.2	
2	280358-0	2.54	5.6	7.1	

- 1 NORYL, UL94 V1, COLORE NERO / NORYL, UL94 V1, BLACK COLOUR
- 2 NORYL SE-1 COLORE ROSSO / NORYL SE-1 RED COLOUR
- 3 TOLLERANZA NON CUMULATIVA / NON CUMULATIVE TOLERANCE
- 4 PERMITTED FLASH 0.01 INCH MAX

CUSTOMER DRAWING  
FOR REFERENCE ONLY

DISEGNO PER CLIENTE  
SOLO PER RIFERIMENTO

THIS DRAWING IS UNPUBLISHED | RELEASE FOR PUBLICATION

TOLLERANZE, SE NON  
DIVERSAMENTE SPECIFICATO  
(TOLERANCES, UNLESS  
OTHERWISE SPECIFIED)

DIAM. ISOLANTE  
(INS. DIA. RANGE)

RANGO FILO  
(WIRE RANGE)

SCALA  
(SCALE)

± 0.3

ANGOLI  
(ANGLES)

± 2°

**STE** TE Connectivity

DIS. 11 APRIL '95  
(DR.) C. PIA

DESCRIZIONE  
(DESCRIPTION) AMPMODU II REC. HSG

CONT. 11 APRIL '95  
(CHK) R. CANTORE

SINGLE ROW, CRIMP ON-SNAP IN

LOC. SIZE NUMERO  
(DWG NO)

REV.

FOGLIO  
(SHEET)

IA3C-280358

Y3

1 DI  
(COP) 1

REV.	REVISIONI (REVISION RECORD)	DIS. (DR)	DATA (DATE)	APP.
Y3	ADDED NOTE 4 AND OBSOLESCENCE OF PIN 1-280358-0 & 1-280359-0	SP	08NOV 2012	