



Chipsmall Limited consists of a professional team with an average of over 10 year of expertise in the distribution of electronic components. Based in Hongkong, we have already established firm and mutual-benefit business relationships with customers from,Europe,America and south Asia,supplying obsolete and hard-to-find components to meet their specific needs.

With the principle of “Quality Parts,Customers Priority,Honest Operation,and Considerate Service”,our business mainly focus on the distribution of electronic components. Line cards we deal with include Microchip,ALPS,ROHM,Xilinx,Pulse,ON,Everlight and Freescale. Main products comprise IC,Modules,Potentiometer,IC Socket,Relay,Connector.Our parts cover such applications as commercial,industrial, and automotives areas.

We are looking forward to setting up business relationship with you and hope to provide you with the best service and solution. Let us make a better world for our industry!



Contact us

Tel: +86-755-8981 8866 Fax: +86-755-8427 6832

Email & Skype: info@chipsmall.com Web: www.chipsmall.com

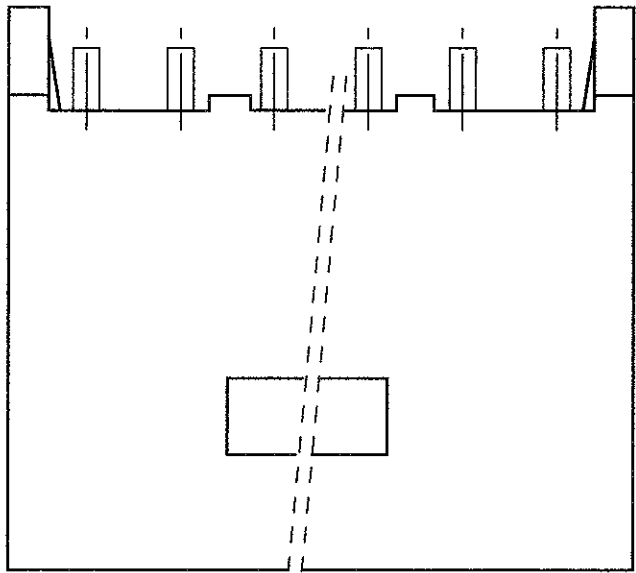
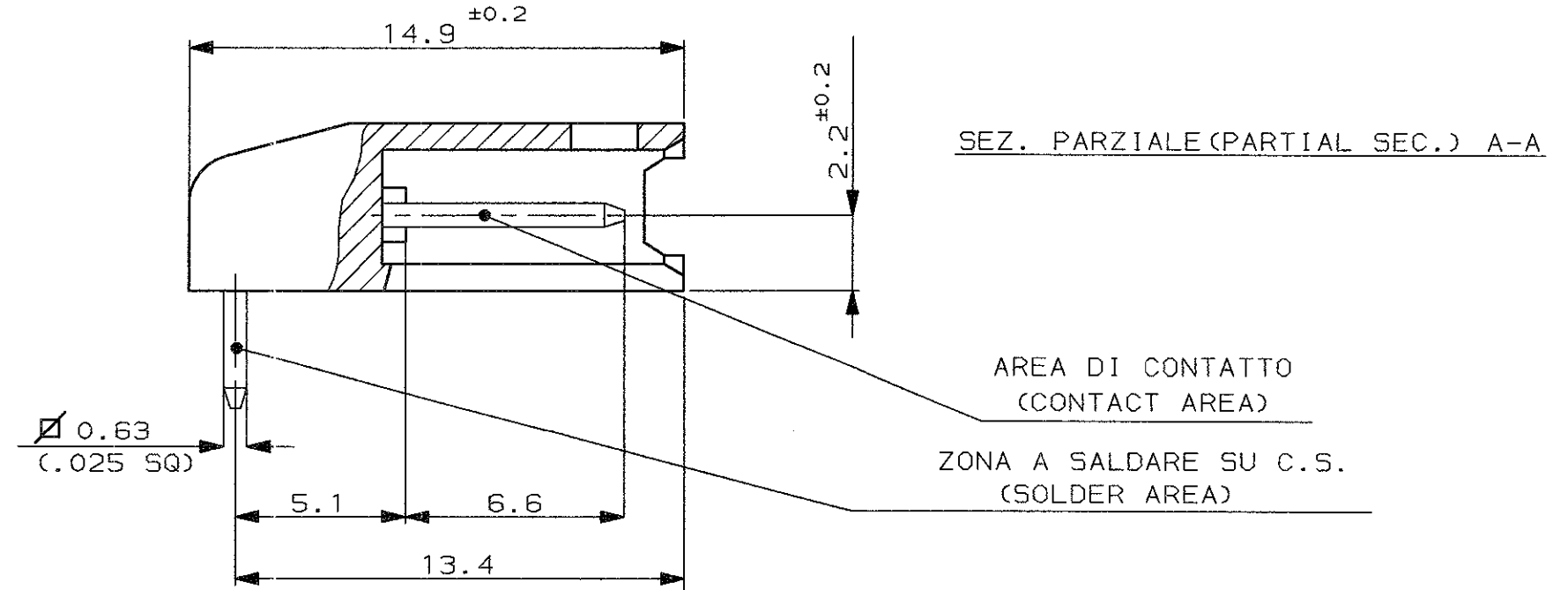
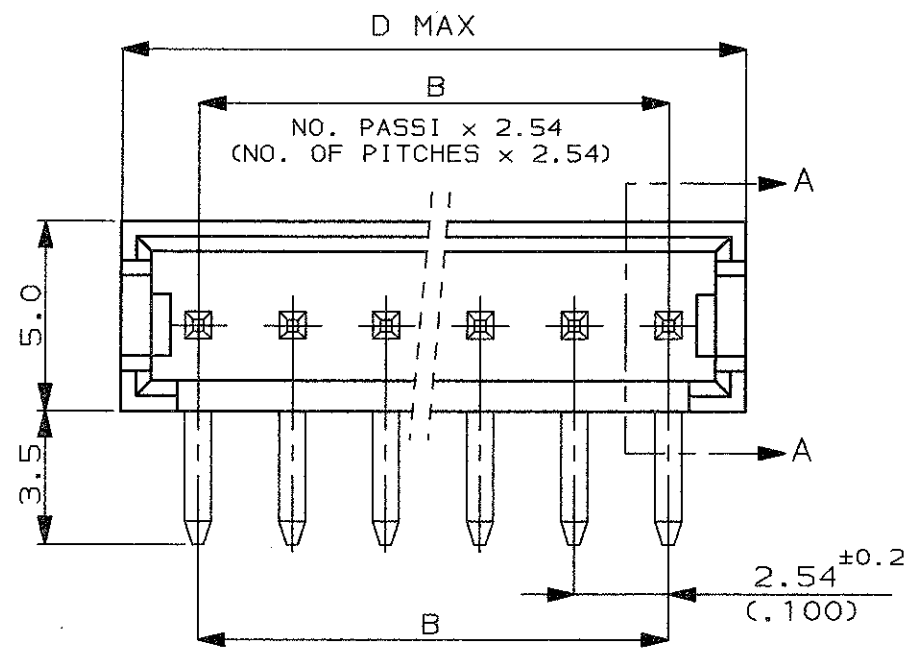
Address: A1208, Overseas Decoration Building, #122 Zhenhua RD., Futian, Shenzhen, China



SCALA NON IMPEGNATIVA
(DO NOT SCALE)
DIMENSIONI IN mm
(DIMENSIONS IN mm)

METRIC

PROIEZIONE EUROPEA
(EUROPEAN PROJECTION)



NOTE (NOTES)

- 1 FINITURA (FINISH): STAGNATO 3.5μM (TIN PLATED 3.5μM).
- 2 FINITURA (FINISH): DORATO 0.4μM NELL'AREA DI CONTATTO E STAGNATO 2.5μM NELLA ZONA A SALDARE, SU 1.3μM DI NI. (DUPLEX PLATED 0.4μM GOLD IN CONTACT AREA AND 2.5μM TIN IN SOLDER AREA, OVER 1.3μM NICKEL).
- 3 FINITURA (FINISH): DORATO 0.8μM NELL'AREA DI CONTATTO E STAGNATO 2.5μM NELLA ZONA A SALDARE, SU 1.3μM DI NI. (DUPLEX PLATED 0.8μM GOLD IN CONTACT AREA AND 2.5μM TIN IN SOLDER AREA, OVER 1.3μM NICKEL).
- 4 MATERIALI (MATERIALS):
- TIN AND GOLD PLATED CONTACTS: BRASS

5 OBSOLETO (OBSOLETE)

- 6) SPECIFICA DI PRODOTTO : 108-20025
(PRODUCT SPECIFICATION : 108-20025)
- 7) ∅ FORI RACCOMANDATO SU PCB: 1.1⁺⁰-0.2; 0.75 MIN. AMMESSO SOLO PER 2 POS.
(RECOMMENDED PCB HOLES DIA: 1.1⁺⁰-0.2; 0.75 MIN. ADMITTED FOR 2 POS. ONLY)

58.5	53.34	5	280383-3	280383-2	280383-1	22	
40.7	35.56	5	280382-3	280382-2	280382-1	15	
33.1	27.94	5	280523-3	280523-2	280523-1	12	
28.0	22.86		280381-3	280381-2	280381-1	10	
25.4	20.32	5	280511-3	5	280511-2	280511-1	9
22.9	17.78		280380-3	280380-2	280380-1	8	
17.8	12.70		280379-3	280379-2	280379-1	6	
12.7	7.62		280378-3	280378-2	280378-1	4	
7.7	2.54		280377-3	280377-2	280377-1	2	
D	B		NUMERO (PART NUMBER) 3	NUMERO (PART NUMBER) 2	NUMERO (PART NUMBER) 1	NO. POS.	

CUSTOMER DRAWING FOR REFERENCE ONLY DISEGNO PER CLIENTE SOLO PER RIFERIMENTO

THIS DRAWING IS UNPUBLISHED RELEASE FOR PUBLICATION 19

TOLLERANZE: SE NON DIVERSAMENTE SPECIFICATO
(TOLERANCES, UNLESS OTHERWISE SPECIFIED)

± 0.3

ANGOLI (ANGLES) ± 2°

MATERIALI (MATERIALS)
VEDERE NOTA (SEE NOTE) 4

SCALA (SCALE) 5:1

TE TE Connectivity

DIS. G. CAMPIA 12 FEB 90
(DR.)

DESCRIZIONE (DESCRIPTION) AMPMODU II HEADER ASS. IES, R. ANGLE, SINGLE ROW

LOC. SIZE NUMERO (DWG NO) REV. FOGLIO (SHEET) DI (OF)

I A3 C - 280377 S 1 1

S	STREAMLINING OF CONTACT BASE MATERIAL TO BRASS	SMT	25FEB 2013
REV.	REVISIONI (REVISION RECORD)	DIS. DATA (DR)	DATE

DISTRIBUZIONE (PRINT DIST.)