



Chipsmall Limited consists of a professional team with an average of over 10 year of expertise in the distribution of electronic components. Based in Hongkong, we have already established firm and mutual-benefit business relationships with customers from,Europe,America and south Asia,supplying obsolete and hard-to-find components to meet their specific needs.

With the principle of “Quality Parts,Customers Priority,Honest Operation,and Considerate Service”,our business mainly focus on the distribution of electronic components. Line cards we deal with include Microchip,ALPS,ROHM,Xilinx,Pulse,ON,Everlight and Freescale. Main products comprise IC,Modules,Potentiometer,IC Socket,Relay,Connector.Our parts cover such applications as commercial,industrial, and automotives areas.

We are looking forward to setting up business relationship with you and hope to provide you with the best service and solution. Let us make a better world for our industry!



Contact us

Tel: +86-755-8981 8866 Fax: +86-755-8427 6832

Email & Skype: info@chipsmall.com Web: www.chipsmall.com

Address: A1208, Overseas Decoration Building, #122 Zhenhua RD., Futian, Shenzhen, China



SCALA NON IMPEGNATIVA
(DO NOT SCALE)
DIMENSIONI IN mm
(DIMENSIONS IN mm)

METRIC

PROIEZIONE EUROPEA
(EUROPEAN PROJECTION)

NOTE (NOTES)

- MATERIALE (MATL.): BRONZO FOSFOROSO (PHOSPHOR BRONZE).
- FINITURA (FINISH): DORATO 0.4µm NELL'AREA DI CONTATTO E FLASH DI ORO SUL RESTO ECCETTO LE ZONE TRANCIATE, SU 1.3µm DI NI. (GOLD PLATED 0.4µm IN CONTACT AREA AND GOLD FLASH ON REMAINDER EXCEPT FOR CUTTING EDGES, OVER 1.3µm NICKEL).
- FINITURA (FINISH): DORATO 0.4µm NELL'AREA DI CONTATTO E FLASH DI ORO SUL RESTO, SU 1.3µm DI NI. (GOLD PLATED 0.4µm IN CONTACT AREA AND GOLD FLASH ON REMAINDER, OVER 1.3µm NICKEL).
- FINITURA (FINISH): DORATO 0.4µm NELL'AREA DI CONTATTO, SU 1.3µm DI NI. (GOLD PLATED 0.4µm IN CONTACT AREA, OVER 1.3µm NICKEL).
- FINITURA (FINISH): DORATO 0.8µm NELL'AREA DI CONTATTO E FLASH DI ORO SUL RESTO ECCETTO LE ZONE TRANCIATE, SU 1.3µm DI NI. (GOLD PLATED 0.8µm IN CONTACT AREA AND GOLD FLASH ON REMAINDER EXCEPT FOR CUTTING EDGES, OVER 1.3µm NICKEL).
- FINITURA (FINISH): DORATO 0.8µm NELL'AREA DI CONTATTO E FLASH DI ORO SUL RESTO, SU 1.3µm DI NI. (GOLD PLATED 0.8µm IN CONTACT AREA AND GOLD FLASH ON REMAINDER, OVER 1.3µm NICKEL).
- FINITURA (FINISH): STAGNATO 0.8µm ECCETTO LE ZONE TRANCIATE. (TIN PLATED 0.8µm ALL OVER EXCEPT FOR CUTTING EDGES).
- PER MINI-APPLICATORE (FOR MINI-APPLICATOR) P/N 781119-2.
- PER APPLICATORE STD. (FOR STD. APPLICATOR).
- PER UTENSILE MANUALE (FOR HANDTOOL) P/N 784044-1.

*** OBSOLETO**

| | | | | | |
|---|---|--|---|----------|-----------|
| NOTE (NOTES) 1 & 7 | * 181270-6 | REV 0 | - | 280530-6 | REV AN |
| NOTE (NOTES) 1 & 6 | - | | - | 280530-5 | REV AN |
| NOTE (NOTES) 1 & 5 | 181270-4 | REV AN | 1-280530-4 | 280530-4 | REV AN |
| NOTE (NOTES) 1 & 4 | 181270-3 | REV AN | 1-280530-3 | 280530-3 | REV AN |
| NOTE (NOTES) 1 & 3 | 181270-2 | REV AN | 1-280530-2 | 280530-2 | REV AN |
| NOTE (NOTES) 1 & 2 | 181270-1 | REV AN | 1-280530-1 | 280530-1 | REV AN |
| MATERIALE E FINITURA, (MATL. & FINISH) | LOOSE-PIECE PART NUMBER: NOTA (NOTED) 10 | STRIP PART NUMBER (R. TO L.) : NOTA (NOTED) 9 | STRIP PART NUMBER: (L. TO R.) : NOTA (NOTED) 8 | | |

CUSTOMER DWG. FOR REFERENCE ONLY DISEGNO PER CLIENTE SOLO PER RIFERIMENTO

THIS DRAWING IS UNPUBLISHED RELEASE FOR PUBLICATION 19

TOLLERANZE: SE NON DIVERSAMENTE SPECIFICATO
(TOLERANCES: UNLESS OTHERWISE SPECIFIED)
± 0.3

DIAM. ISOLANTE (INS. DIA. RANGED) 1.0-1.55MM

RANGO FILO (WIRE RANGED) 0.13-0.32 MM (26-22 AWG)

SCALA (SCALED) -



DIS.G. CAMPIA 30 JUNE 89

DESCRIZIONE (DESCRIPTION) AMPMODU II REC. CONTACT, STD PRESSURE, C.O.S.I.

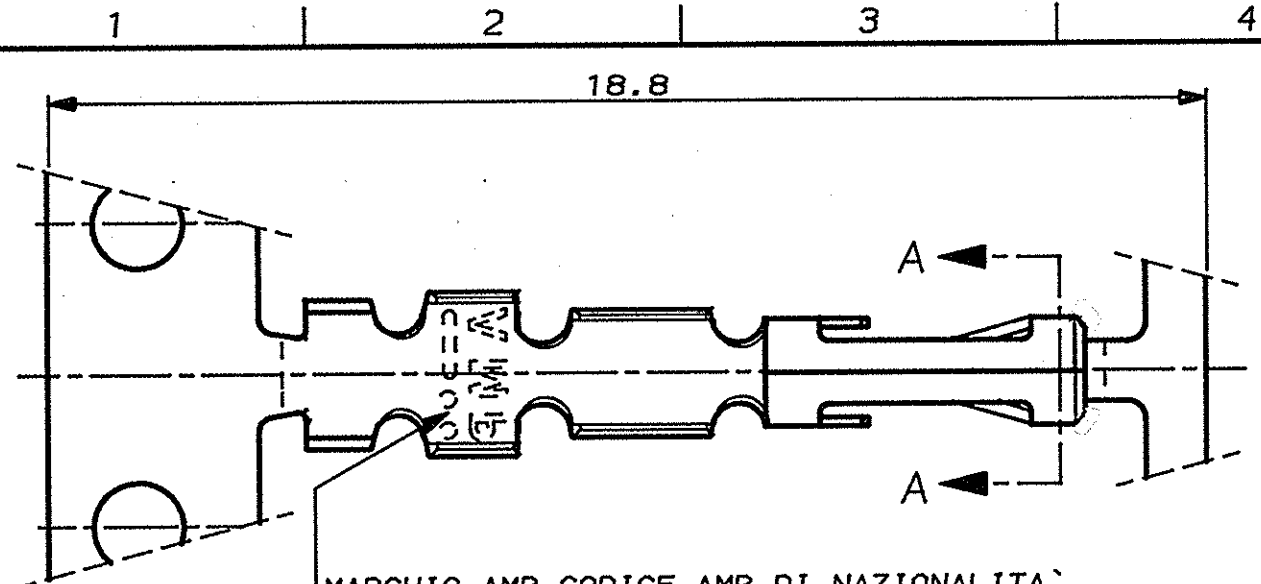
CONT. (CONT.) -

LCC. SIZE NUMERO (CNS. NO.) IA3C-280530

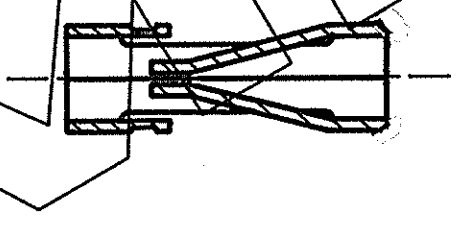
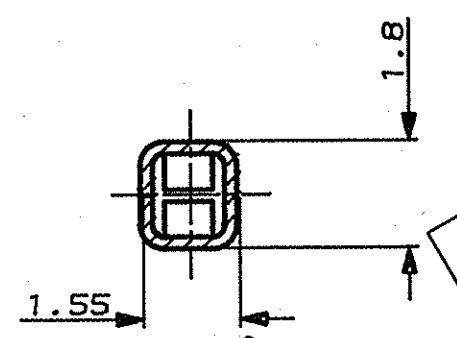
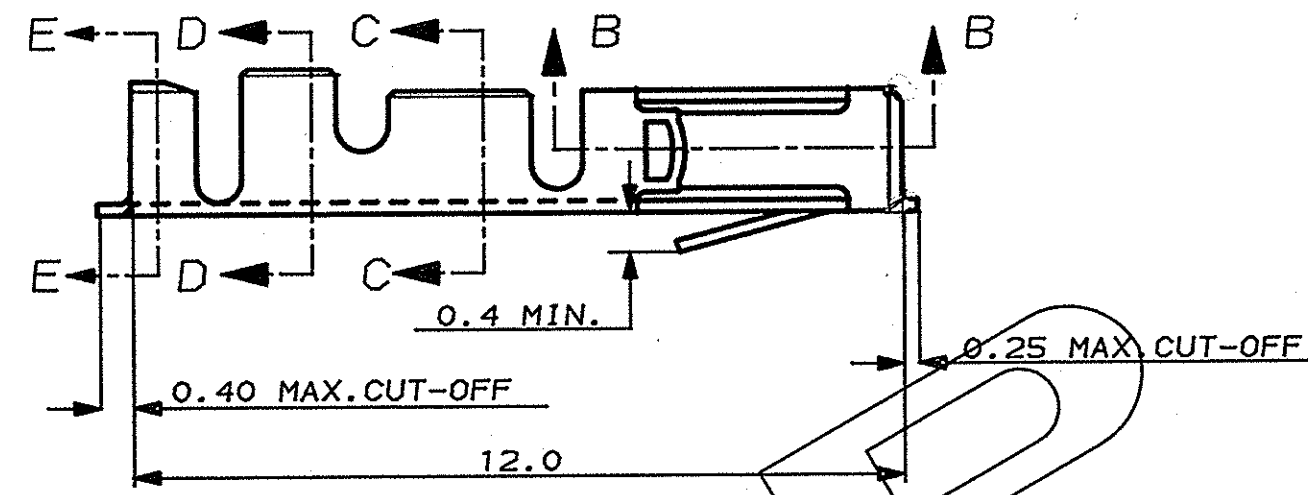
REV. (REV.) AN1

FOGLIO (SHEET) DI (OF) 1

| | | | |
|-------------|-----------------------------|------------------|------------------|
| AN1 | REVISED PER ECO-11-005140 | RK | DIS. DATA (DATE) |
| REV. (REV.) | REVISIONI (REVISION RECORD) | DIS. DATA (DATE) | APP. (APP.) |

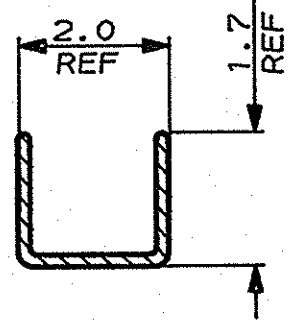
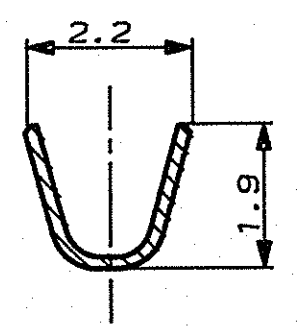
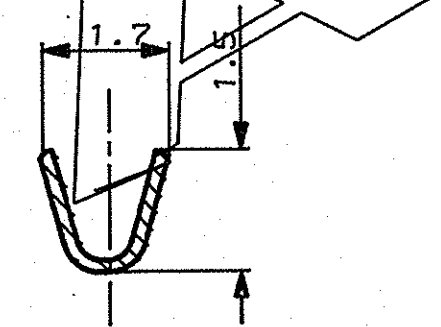


MARCHIO AMP, CODICE AMP DI NAZIONALITA'
AMP TRADEMARK, MANUFACTURING LOCATION CODE.



SEZ. (SECT.) A-A

SEZ. (SECT.) B-B



SEZ. (SECT.) C-C

SEZ. (SECT.) D-D

SEZ. (SECT.) E-E

DISTRIBUZIONE (PRINT, DIST.)